

Type: **PN1-125**  
 Article No.: **259142**  
 Sales text **Switch-disconnector 3p**



### Ordering information

Number of poles			3 pole
Description			Terminals standard, terminal screws as accessories
Rated current = rated uninterrupted current			
Rated uninterrupted current	$I_u$	A	125
Short-circuit protection max. fuse gL-characteristic		A gL	125

### Notes concerning the product group

Notes for terminals → [260015](#)

### Notes concerning the product group

Main switch characteristics including positive drive to IEC/EN 60204 and VDE 0113

Isolating characteristics to IEC/EN 60947-3 and VDE 0660

Protection against accidental contact according to IEC 100

With the switch-disconnector N additional voltage releases NZM...-XU, NZM...-XA and trip-indicating auxiliary contacts (HIA) can be used.

N2..., N3... and N4... can also be combined with the NZM...-XR... remote operator.

## Switch–disconnectors

Rated impulse withstand voltage $U_{imp}$			
Main contacts		V	6000
Auxiliary contacts		V	6000
Rated operational voltage	$U_e$	V AC	690
Rated uninterrupted current max.			
IEC/EN 61131–3	$I_u$	A	160
<b>Technical data, divergent from the products for the IEC market</b> UL489, CSA 22.2 No. 5.1	$I_u$	A	125 (N1)
Oversvoltage category/pollution degree			III/3
Rated insulation voltage	$U_i$	V AC	690
For use in IT electrical power networks		V	690

## Switching capacity

Rated short–circuit making capacity	$I_{cm}$	kA	2,8
Rated short–time withstand current			
t = 0.3 s	$I_{cw}$	kA	2
t = 1 s	$I_{cw}$	kA	2
Rated conditional short–circuit current			
With back–up fuse		A gG/gL	PN1(N1)–63...125: 125PN1(N1)–160: 160
400 ... 415 V		kA	100
690 V		kA	80
With downstream fuse		A gG/gL	PN1(N1)–63...125: 125PN1(N1)–160: 160
400 ... 415 V		kA	100
690 V		kA	10
Lifespan, mechanical	Operations		20000
Maximum operating frequency		Ops./h	120
Lifespan, electrical to IEC/EN 60947–4–1 section B			
AC–1			
400/415 V	Operations		10000
690 V	Operations		7500
AC–3			
690 V	Operations		5000

Current heat loss per pole at $I_U$		W	12.7
<b>Terminal capacities</b>			
Round copper conductor			
Box terminal			
Solid		mm <sup>2</sup>	1 × (10 – 16) 2 × (6 – 16)
Stranded		mm <sup>2</sup>	1 × (25 – 70) depending on the cable manufacturer up to 95 mm <sup>2</sup> can be connected. 2 × 25
Tunnel terminal			
Solid		mm <sup>2</sup>	1 × 16
Stranded			
Stranded		mm <sup>2</sup>	1 × (25 – 95)
Bolt terminal and rear-side connection			
Direct on the switch			
Solid		mm <sup>2</sup>	1 × (10 – 16) 2 × (6 – 16)
Stranded		mm <sup>2</sup>	1 × (25 – 70) 2 × 25
Al conductors, Cu cable			
Box terminal			
Solid		mm <sup>2</sup>	1 × (16 – 95)
Tunnel terminal			
Solid		mm <sup>2</sup>	1 × 16
Stranded			
Stranded		mm <sup>2</sup>	1 × (25 – 95)
Bolt terminal and rear-side connection			
Direct on the switch			
Solid		mm <sup>2</sup>	1 × (10 – 16) 2 × (10 – 16)
Stranded		mm <sup>2</sup>	1 × (25 – 35) 2 × (25 – 35)
Cu strip (number of segments x width x segment thickness)			
Box terminal			
	min.	mm <sup>2</sup>	2 × 9 × 0.8
	max.	mm <sup>2</sup>	9 × 9 × 0.8
Copper busbar (width × thickness)			

Bolt terminal and rear-side connection			
Screw connection			M6
Direct on the switch			
	min.	mm <sup>2</sup>	12 × 5
	max.	mm <sup>2</sup>	16 × 5
Control cables			
		mm <sup>2</sup>	1 × (0.75 – 2.5) 2 × (0.75 – 1.5)
<b>Notes</b>			
<b>Notes</b>			The current heat loss per pole ratings refer to the maximum current rating of the frame size.

---

## Overview

### Basic equipment

Box terminal            ● – – –

Screw connection    – ● ● ●

### Accessories

Box terminal            – ● ● –

Screw connection    ● – – ●

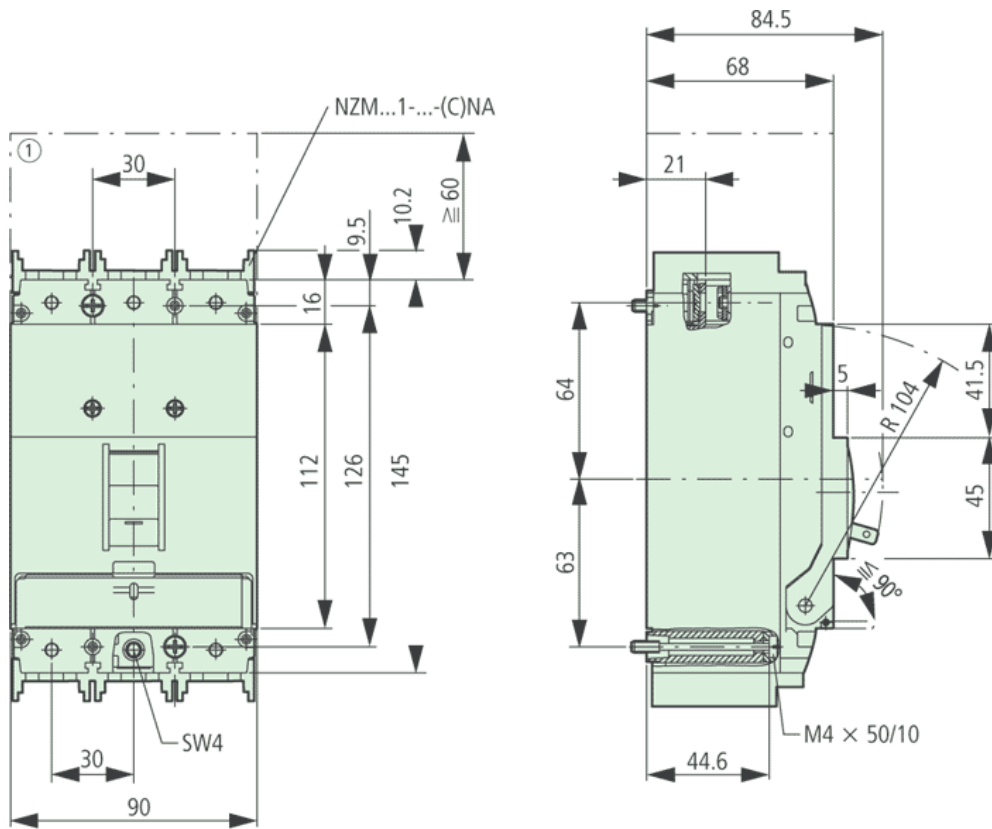
Tunnel terminal        ● ● ● ●

Connection on rear    ● ● ● ●

Flat conductor terminal – – – ●

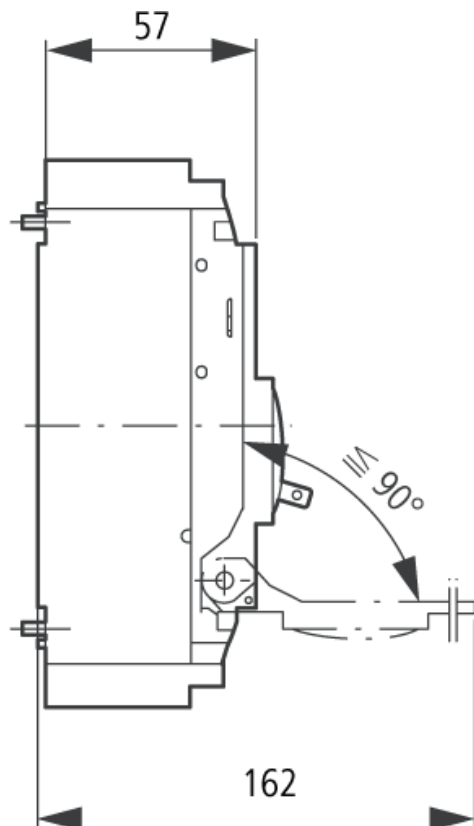
---

## Dimensions



Clearance from conductive parts 60 mm

### Dimensions



Moeller GmbH, Hein-Moeller-Str. 7-11, D-53115 Bonn  
E-Mail: [catalog@moeller.net](mailto:catalog@moeller.net), Internet: [www.moeller.net](http://www.moeller.net), <http://catalog.moeller.net>  
Copyright 2006 by Moeller GmbH. HPL-C2007G V2.1