

Type: **PN2-160**
 Article No.: **266005**
 Sales text **Switch-disconnector 3p 160A**



Ordering information

Number of poles			3 pole
Description			Terminal screws standard, terminals as accessories
Rated current = rated uninterrupted current			
Rated uninterrupted current	I_u	A	160
Short-circuit protection max. fuse gL-characteristic		A gL	250

Notes concerning the product group

Notes for terminals → [262240](#)

Notes concerning the product group

Main switch characteristics including positive drive to IEC/EN 60204 and VDE 0113

Isolating characteristics to IEC/EN 60947-3 and VDE 0660

Protection against accidental contact according to IEC 100

With the switch-disconnector N additional voltage releases NZM...-XU, NZM...-XA and trip-indicating auxiliary contacts (HIA) can be used.

N2..., N3... and N4... can also be combined with the NZM...-XR... remote operator.

Switch–disconnectors

Rated impulse withstand voltage U_{imp}			
Main contacts		V	8000
Auxiliary contacts		V	6000
Rated operational voltage	U_e	V AC	690
Rated uninterrupted current max.			
IEC/EN 61131–3	I_u	A	250
Technical data, divergent from the products for the IEC market UL489, CSA 22.2 No. 5.1	I_u	A	160 (N2)
Overtoltage category/pollution degree			III/3
Rated insulation voltage	U_i	V AC	690
For use in IT electrical power networks		V	690

Switching capacity

Rated short–circuit making capacity	I_{cm}	kA	5,5
Rated short–time withstand current			
t = 0.3 s	I_{cw}	kA	3,5
t = 1 s	I_{cw}	kA	3,5
Rated conditional short–circuit current			
With back–up fuse		A gG/gL	PN2(N2)–160...250: 250
400 ... 415 V		kA	100
690 V		kA	80
With downstream fuse		A gG/gL	PN2(N2)–160...250: 250
400 ... 415 V		kA	100
690 V		kA	80
Lifespan, mechanical	Operations		20000
Maximum operating frequency		Ops./h	120
Lifespan, electrical to IEC/EN 60947–4–1 section B			
AC–1			
400/415 V	Operations		10000
690 V	Operations		7500
AC–3			
690 V	Operations		5000

Current heat loss per pole at I_U		W	16
Terminal capacities			
Round copper conductor			
Box terminal			
Solid		mm ²	1 × (4 – 16) 2 × (4 – 16)
Stranded		mm ²	1 × (25 – 185) 2 × (25 – 70)
Tunnel terminal			
Solid		mm ²	1 × 16
Stranded			
Stranded		mm ²	1 × (25 – 185)
Bolt terminal and rear-side connection			
Direct on the switch			
Solid		mm ²	1 × (4 – 16) 2 × (4 – 16)
Stranded		mm ²	1 × (25 – 185) 2 × (25 – 70)
Al conductors, Cu cable			
Box terminal			
Solid		mm ²	1 × (16 – 185)
Tunnel terminal			
Solid		mm ²	1 × 16
Stranded			
Stranded		mm ²	1 × (25 – 185) je nach Kabelhersteller bis zu 240 mm ² anschließbar
Bolt terminal and rear-side connection			
Direct on the switch			
Solid		mm ²	1 × (10 – 16) 2 × (10 – 16)
Stranded		mm ²	1 × (25 – 50) 2 × (25 – 50)
Cu strip (number of segments x width x segment thickness)			
Box terminal			
	min.	mm ²	2 × 9 × 0.8
	max.	mm ²	10 × 16 × 0.8
Bolt terminal and rear-side connection			

Flat copper strip, with holes	min.	mm	2 × 16 × 0.8
Flat copper strip, with holes	max.	mm	10 × 16 × 0.8
Copper busbar (width × thickness)			
Bolt terminal and rear-side connection			
Screw connection			M8
Direct on the switch			
	min.	mm ²	16 × 5
	max.	mm ²	20 × 5
Control cables			
		mm ²	1 × (0.75 – 2.5) 2 × (0.75 – 1.5)

Notes

Notes			<p>The rated short time withstand current for PN2/N2 in conjunction with residual-current release NZM2-4-XFI... $I_{cw} = 1.5$ kA</p> <p>For current heat loss per pole the specification refers to the maximum nominal current of the frame size.</p> <p>For the electrical life at AC-3 for PN2/N2 the following applies: 690 V: max. 160 kW</p> <p>For 3-pole switch-disconnectors the following applies: 400/415 V 7500 switching operations; 690 V 5000 switching operations</p> <p>For 3-pole switch-disconnectors the following applies: 400/415 V 6000 switching operations; 690 V 4000 switching operations</p>
--------------	--	--	---

Overview

Basic equipment

Box terminal ● – – –

Screw connection – ● ● ●

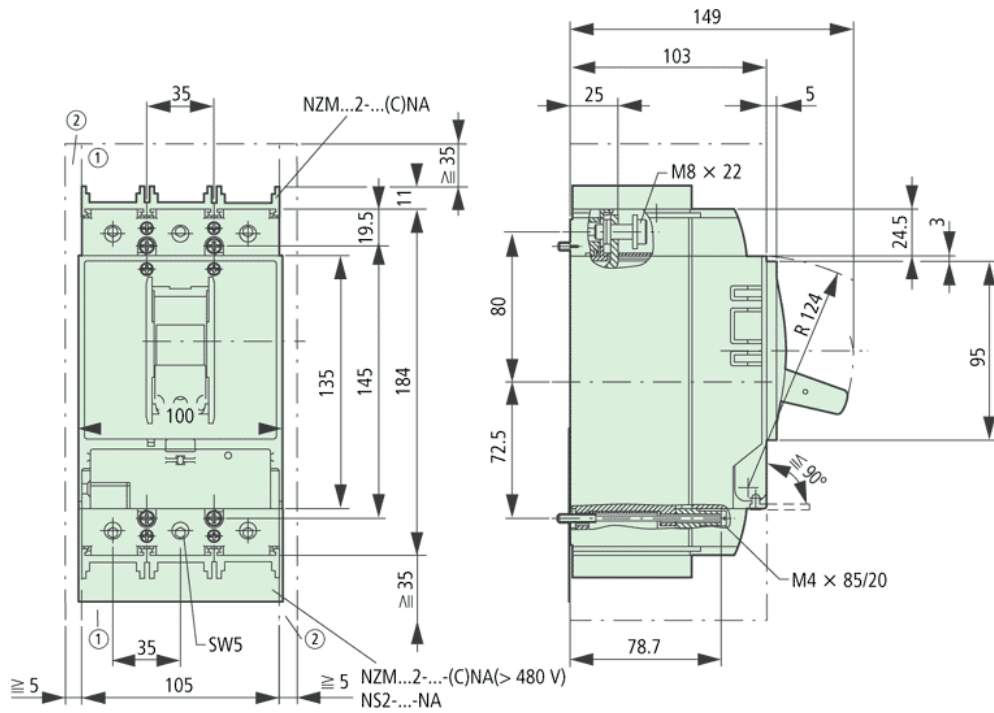
Accessories

Box terminal – ● ● –

Screw connection ● – – ●

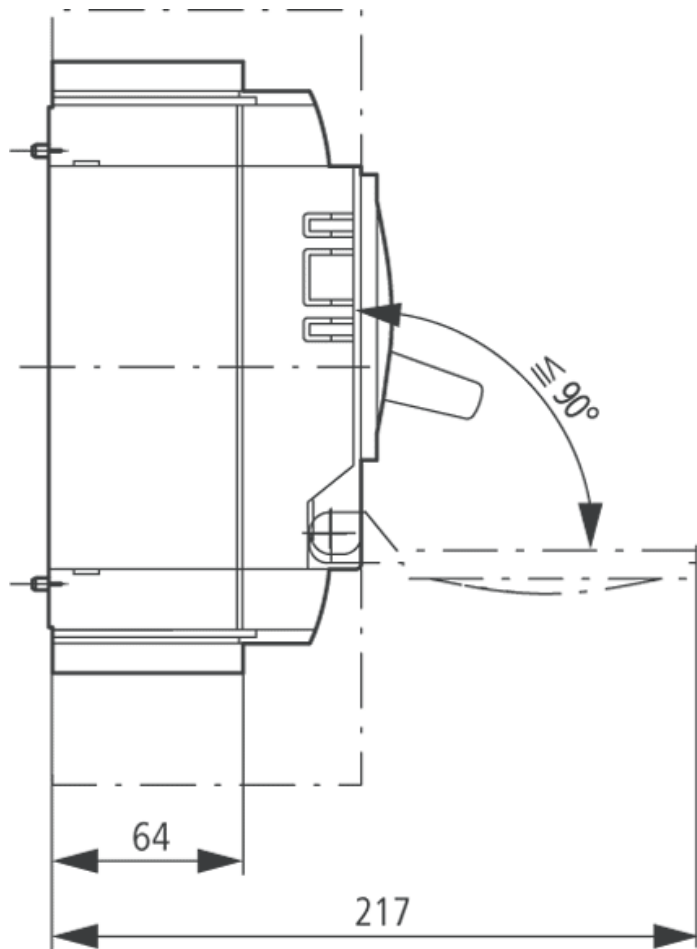
- Tunnel terminal ● ● ● ●
- Connection on rear ● ● ● ●
- Flat conductor terminal - - - ●

Dimensions



Clearance from conductive parts 35 mm, laterally 5 mm

Dimensions



Moeller GmbH, Hein-Moeller-Str. 7-11, D-53115 Bonn
E-Mail: catalog@moeller.net, Internet: www.moeller.net, <http://catalog.moeller.net>
Copyright 2006 by Moeller GmbH. HPL-C2007G V2.1