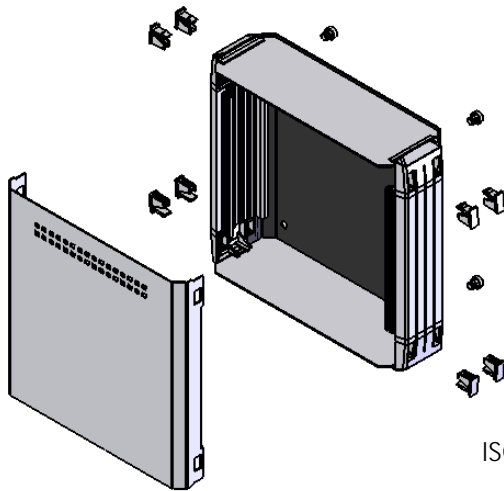
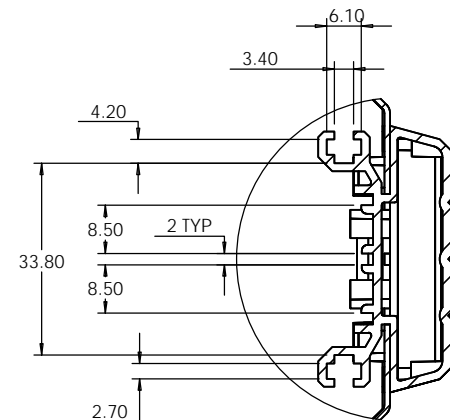
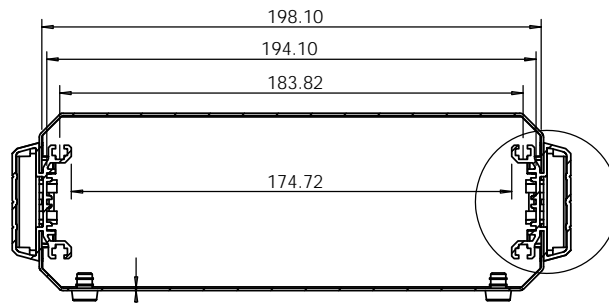
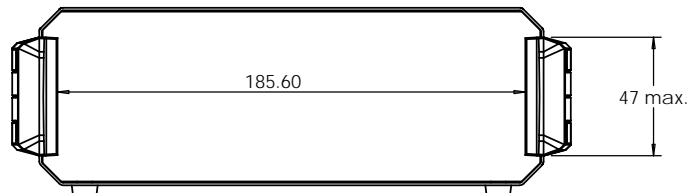


OVERALL ASSEMBLY DIMENSIONS:
 EXTERNAL - 221.5 x 205 x 70.4
 INTERNAL - 198 x 193 x 68.4



ISO VIEW
1:6

1.0
SHEET THICKNESS

				UNLESS OTHERWISE SPECIFIED: DIMENSIONS ARE IN MILLIMETERS		DO NOT SCALE DRAWING		REVISION. 0	
				FINISH: -----		TITLE: GNL ASSEMBLY DRG FOR 31110002 INSTRUMENT CASE			
JAMES CARTER RD, MILDENHALL, SUFFOLK. IP28 7DE TEL: 01638 716101 FAX: 01638 716554 EMAIL: SALES@BOSS-ENCLOSURES.CO.UK WEB: www.BOSS-ENCLOSURES.CO.UK				MATERIAL: VAR		DWG NO. 31110002		A4	
DRAWN	S.HARDINGE	SJH	16/06/08	PROJECTION.		SCALE: 1:3		SHEET 1 OF 1	
CHK'D	-	-	-						