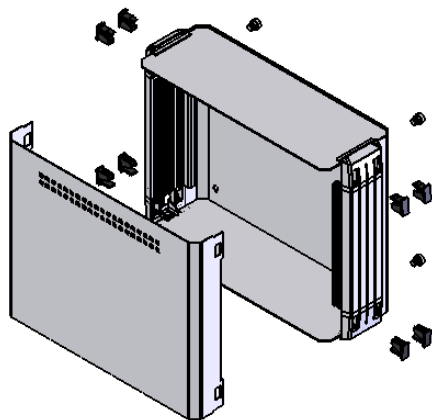
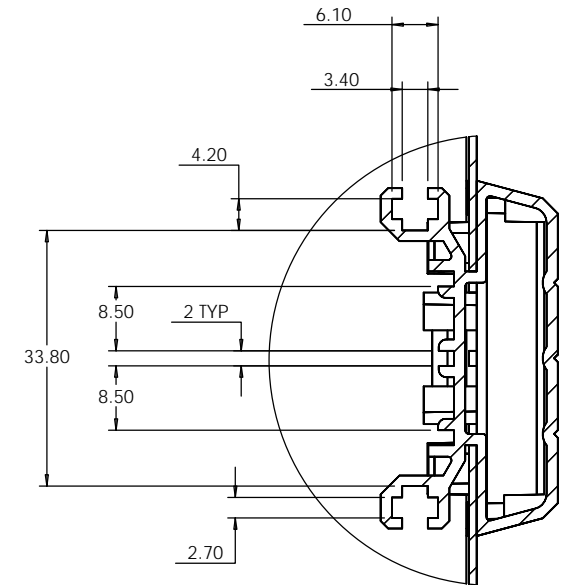
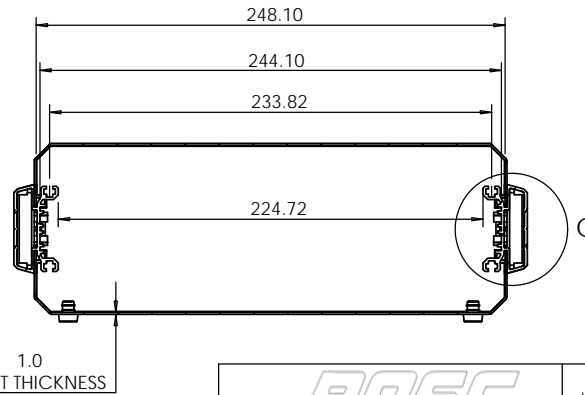
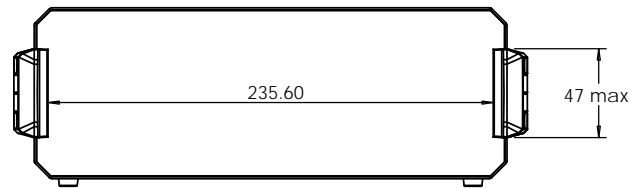


OVERALL ASSEMBLY DIMENSIONS:  
 EXTERNAL - 271.6 x 205 x 90.4  
 INTERNAL - 248.1 x 193 x 88.4



ISO VIEW  
1:7

 JAMES CARTER RD, MILDENHALL, SUFFOLK. IP28 7DE TEL: 01638 716101 FAX: 01638 716554 EMAIL: SALES@BOSS-ENCLOSURES.CO.UK WEB: www.BOSS-ENCLOSURES.CO.UK				UNLESS OTHERWISE SPECIFIED: DIMENSIONS ARE IN MILLIMETERS		DO NOT SCALE DRAWING		REVISION. O		
				FINISH: -----		TITLE: <b>GNL ASSEMBLY DRG FOR 110 SERIES - INSTRUMENT CASE</b>				
DRAWN S.HARDINGE		SIGNED SJH		DATE 03/07/08		MATERIAL. <b>VAR</b>		DWG NO. <b>31110004</b>		A4
CHK'D -		-		-		PROJECTION. 		SCALE: 1:4		SHEET 1 OF 1