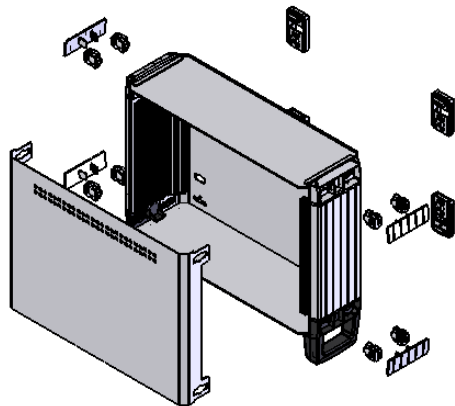
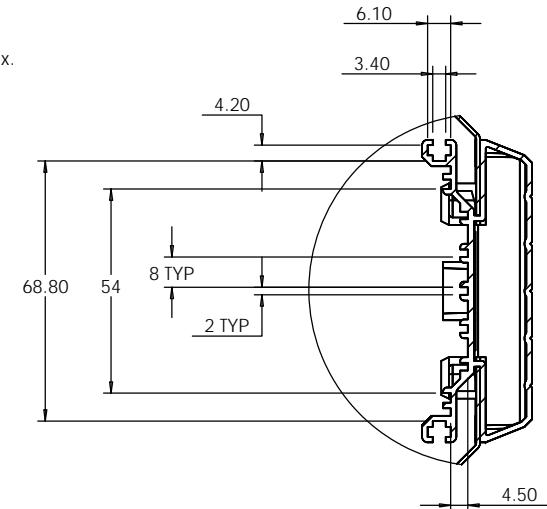
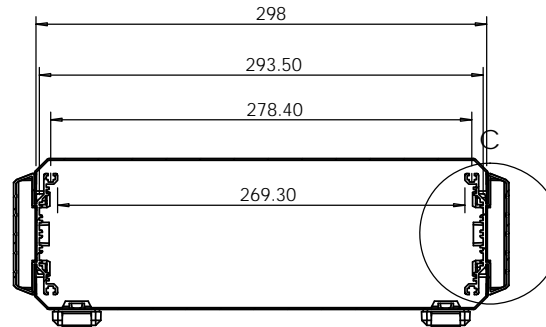
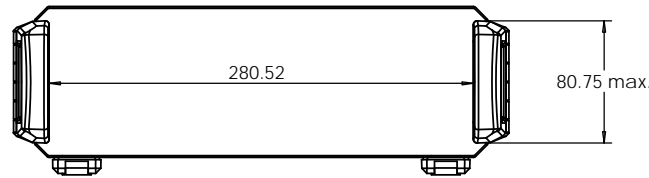


OVERALL ASSEMBLY DIMENSIONS:
EXTERNAL - 327.5 x 270.8 x 99.8
INTERNAL - 298 x 211 x 97.8



ISO VIEW
1:9

<p>JAMES CARTER RD, MILDENHALL, SUFFOLK. IP28 7DE TEL: 01638 716101 FAX: 01638 716554 EMAIL: SALES@BOSS-ENCLOSURES.CO.UK WEB: www.BOSS-ENCLOSURES.CO.UK</p>				UNLESS OTHERWISE SPECIFIED: DIMENSIONS ARE IN MILLIMETERS		DO NOT SCALE DRAWING		REVISION. O		
				FINISH: - - - -		TITLE: GNL ASSEMBLY DRG FOR 110 SERIES - INSTRUMENT CASE				
DRAWN S.HARDINGE		SIGNED SJH		DATE 03/07/08		MATERIAL. VAR		DWG NO. 31110005		A4
CHK'D -		-		-		PROJECTION.		SCALE: 1:5		SHEET 1 OF 1