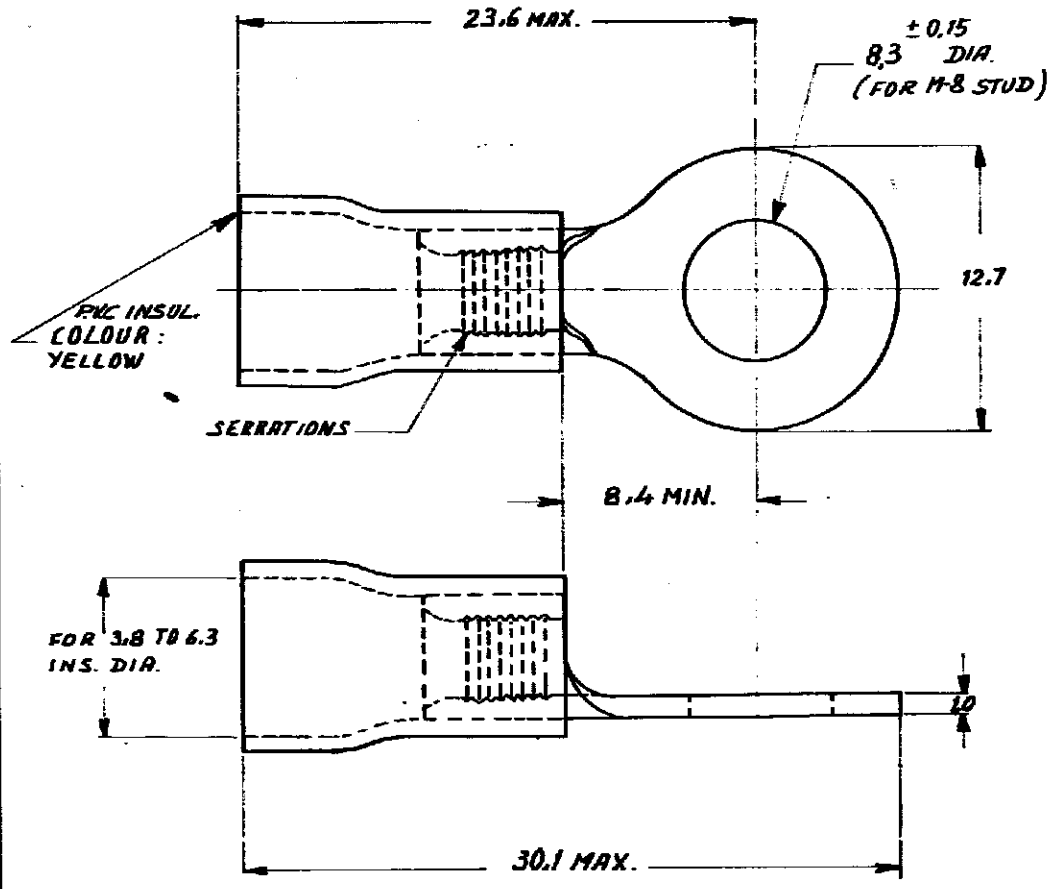


DRAWING MADE IN AMERICAN PROJECTION

NUMBER C-160296-E



DIMENSIONS IN M.M. DO NOT SCALE PRINT

CUSTOMER COPY FOR REFERENCE ONLY

©1969 BY AMP-HOLLAND N.V. ALL RIGHTS RESERVED A-MP PRODUCTS COVERED BY PATENTS AND/OR PATENTS PENDING.



160296-1	160296-0	TAPE MOUNTED
160296	COPPER	TIN PLATED
ORDER NO.	MATERIAL	PLATING
DR. H. FORPIANI	DATE 24/1-69	DE DATE
CHK	DATE	APP. DATE

WIRE RANGE	INSUL. RANGE	FIRST USED		
27-5.5mm				
SCALE	LOC	SIZE	NO	REV
	H	A	C-160296-E	A
NAME RING TONGUE TYPE PLASTI-GRIP.				