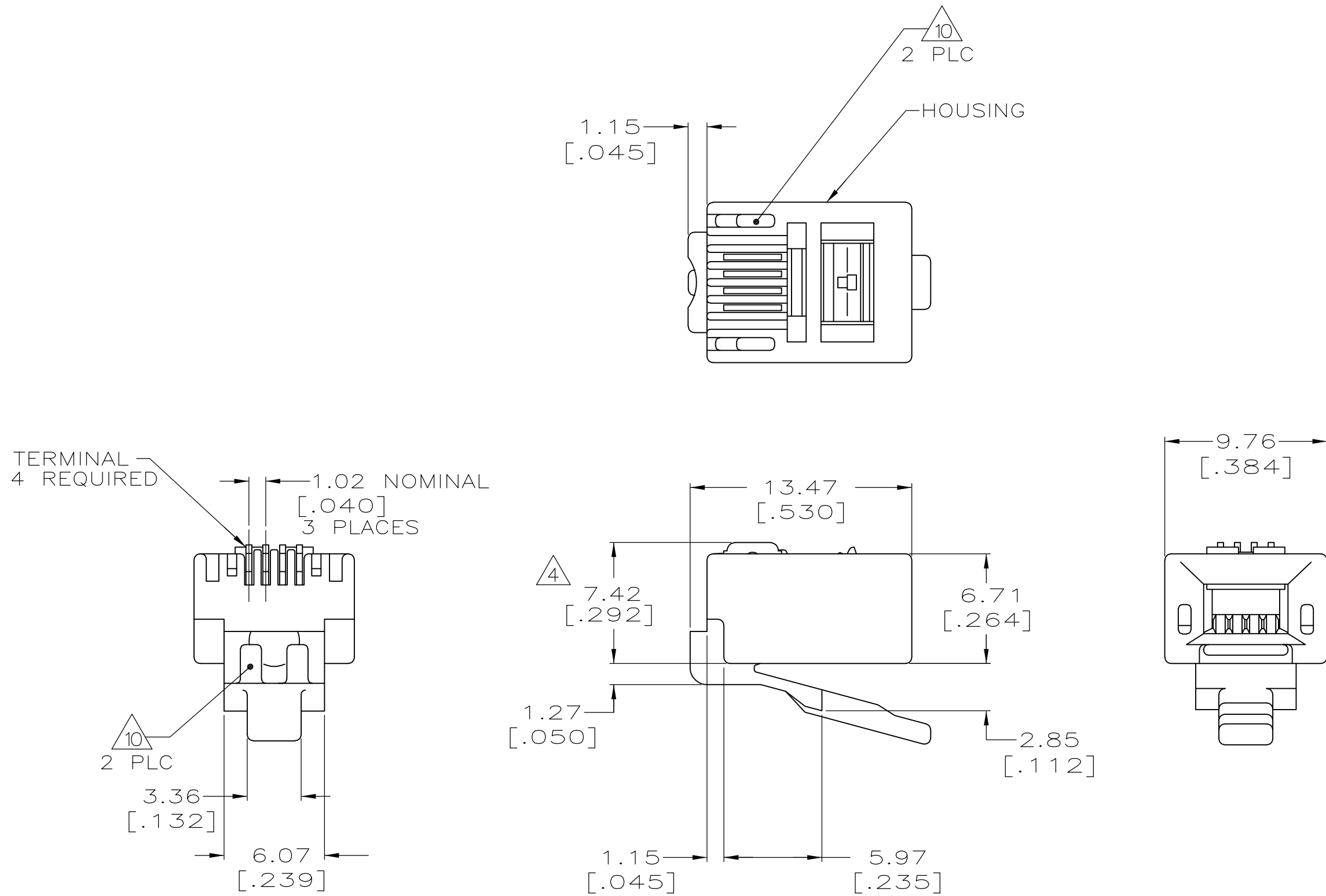


THIS DRAWING IS UNPUBLISHED. RELEASED FOR PUBLICATION
 © COPYRIGHT BY TYCO ELECTRONICS CORPORATION. ALL RIGHTS RESERVED.

LOC	DIST	REVISIONS			GG	EL	
HM	00	P	LTR	DESCRIPTION	DATE	DWN	APVD
		U		REVISED PER EC 0511-0093-04	12MAY04	SW	BK
		V		OBS -1; REV ECO-07-027076	30DEC07	LH	BM
		W		REV ECO-08-007212	31MAR08	LH	BM



- ① DIMENSIONS ARE MAXIMUM UNLESS OTHERWISE SPECIFIED.
- ② MATERIAL: HOUSING-POLYCARBONATE,CLEAR. TERMINAL-0.36[.014] THICK PHOSPHOR BRONZE PLATED WITH 1.27μm[.000050] THICK GOLD IN LOCALIZED GOLD PLATE AREA, GOLD FLASH OVER THE REMAINDER, OVER 2.54μm[.000100] THICK NICKEL UNDERPLATE.
- 3. PLUG WILL ACCEPT 26 OR 28 AWG STRANDED WIRE HAVING A MAXIMUM INSULATION DIAMETER OF 0.99[.039] AND A MAXIMUM DIAMETER ROUND CABLE JACKET OF 2.54 [.100] OR OVAL CABLE JACKET OF 2.29 x 4.83[.090 x .190] MAXIMUM.
- ④ TERMINATED DIMENSION 6.15[.242] MAXIMUM.
- ⑤ 10 ASSEMBLIES PER PACKAGE.
- ⑥ 10,000 ASSEMBLIES PER PACKAGE.
- ⑦ 1000 ASSEMBLIES PER PACKAGE.
- ⑧ 100 ASSEMBLIES PER PACKAGE.
- ⑨ 25 ASSEMBLIES PER PACKAGE.
- ⑩ REELED PRODUCT ON STRIP DOES NOT HAVE VOID CORING ILLUSTRATED ON THIS DRAWING.

SUPERSEDED BY 5-641335-7	⑤	6-641335-3
	⑨	5-641335-7
	⑧	5-641335-3
	⑦	5-641335-2
	⑥	5-641335-1
OBSELETE	REELED ⑩	641335-1
	PACKAGED	PART NO

THIS DRAWING IS A CONTROLLED DOCUMENT.		DWN	9-1-93	Tyco Electronics Corporation	
DIMENSIONS: mm [INCHES]		YTP/JTA		Harrisburg, PA 17105-3608	
TOLERANCES UNLESS OTHERWISE SPECIFIED:		CHK	9-15-93	NAME	
0 PLC ± -		C.WHITT		MODULAR PLUG ASSEMBLY, 4 POSITION, LINE	
1 PLC ± -		APVD	9-20-93	SIZE	
2 PLC ± -		J.TONEY		CAGE CODE	
3 PLC ± -		PRODUCT SPEC	108-1163	DRAWING NO	
4 PLC ± -		APPLICATION SPEC	114-6016	RESTRICTED TO	
ANGLES ± -		WEIGHT	-	A2 00779 C=641335	
FINISH		CUSTOMER DRAWING		SCALE 4:1 SHEET 1 OF 1 REV W	