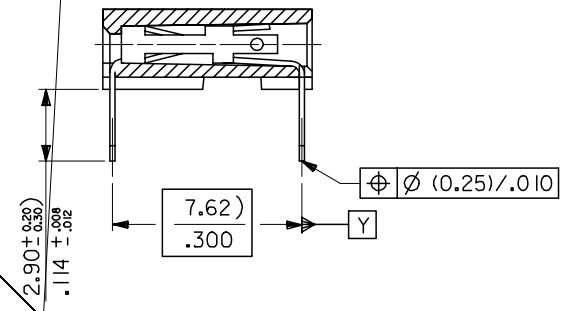


RECOMMENDED P.C. BOARD HOLE PATTERN FOR STRAIGHT PINS



SECTION C-C SHOWING STRAIGHT PINS

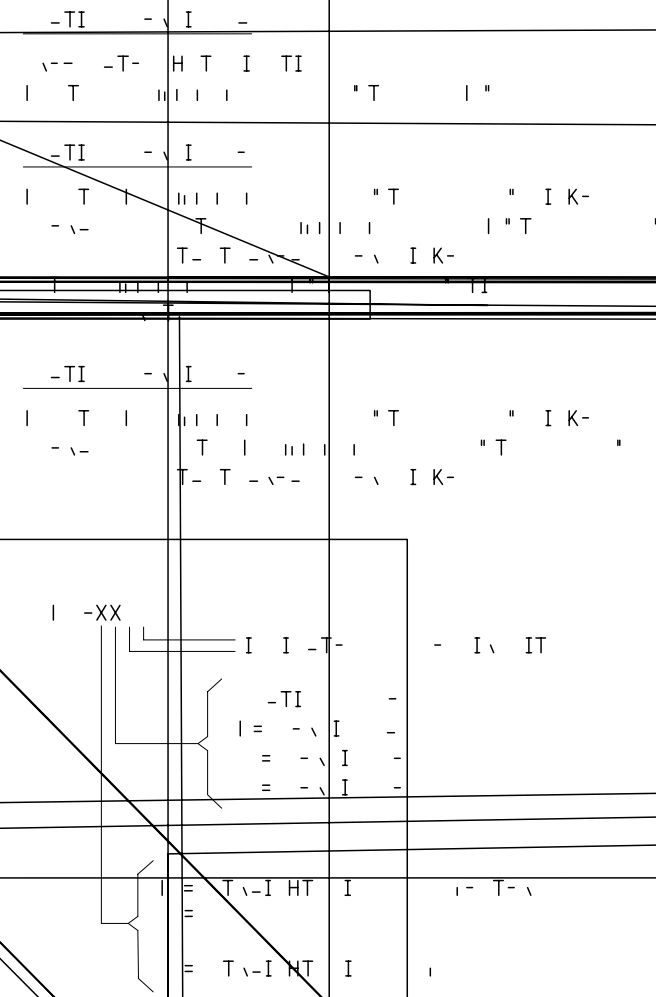
NOTES

- 1) CONTACT-PLATED PHOSPHOR BRONZE. (SEE SHEET 2)
- 2) HOUSING POLYESTER (PBT), 15% GLASS FILL, UL94-V0. COLOR: BLACK. ALSO POLYAMIDE (PA4/6), 30% GLASS FILL, UL94-V0. COLOR: NATURAL.
- 3) FOR (0.635)/.025 SQ. MALE PINS THE LENGTH MUST BE (5.65)/.222 MIN & (7.00)/.276 MAX. TO ENSURE GOOD CONNECTION WITH CONTACT.
- 4) PRODUCT SPECIFICATIO

		B_{\pm}^{\pm}	
--	--	-----------------	--

90148-1X02	90148-4X02		
	03		
	04		
	05		
	06		
	07		
	08		
	09		
	10		
	11		
	12		
	13		
	14		
	15		
	16		
	17		
	18		
	19		
	20		
	21		
	22		
	23		
	24		
	25		
	26	(66.04) 2.600	
	27		
	28		
	29		
	30		
	31		

90148-1X32	90148-4X32		
------------	------------	--	--



ADD NEW P/N

▼ 0
0

SEE CHART