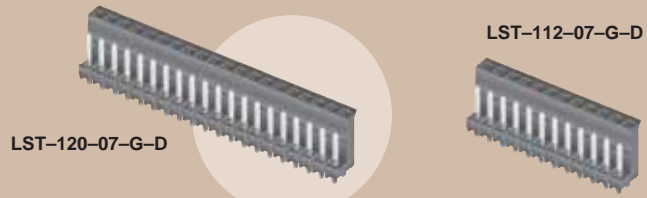




(2,54mm) .100"

LST, HLST SERIES



SELF-MATING HERMAPHRODITIC STRIP

SPECIFICATIONS

For complete specifications see www.samtec.com?LST or www.samtec.com?HLST

LST

Insulator Material: LST: Black
Glass Filled Polyester
Terminal Material: Phosphor Bronze
Contact Material: Phosphor Bronze
Plating: Au or Sn over 50µ" (1,27µm) Ni
Operating Temp Range: -55°C to +125°C with Gold
-55°C to +105°C with Tin
Insertion Depth: (3,68 mm) .145" to (6,35 mm) .250"
Insertion Force: (Single contact only) 6oz (1,67N) avg
Withdrawal Force: (Single contact only) 4oz (1,11N) avg
Cycles: 100 with 10µ" (0,25µm) Au
RoHS Compliant: Yes
Lead-Free Solderable: Wave Only



| CURRENT RATING | |
|----------------|------------|
| AMBIENT TEMP | 5 Contacts |
| 20°C | 6.0A |
| 40°C | 5.3A |
| 60°C | 4.2A |
| 80°C | 3.0A |

Note: Other Gold plating options available. Contact Samtec.

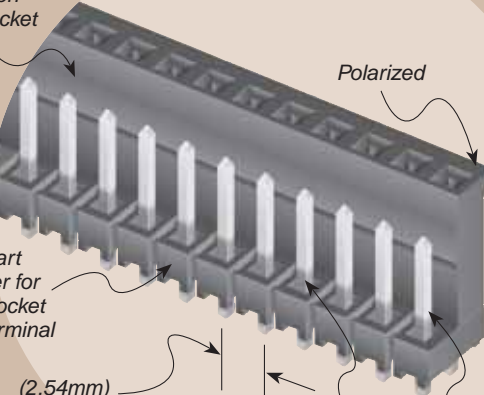
Note: Some lengths, styles and options are non-standard, non-returnable.

Mates with: LST, HLST

Hermaphroditic self-mating header/socket system



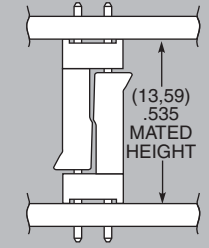
One part number for both socket and terminal



(2,54mm) .100" pitch

(0,64mm) .025" square post

APPLICATION

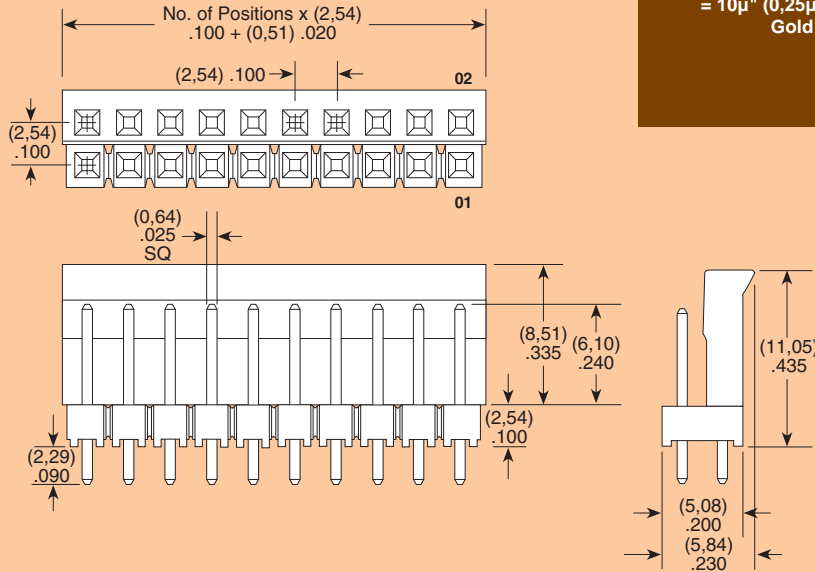


Locking feature increases unmating force and provides audible "click" when properly mated

| | | | | | |
|-------------------------|---|------------------|----|--|---|
| TYPE STRIP | 1 | NO. PINS PER ROW | 07 | PLATING OPTION | D |
| LST = Standard | | 02 thru 30 | | -F = Gold flash on contact area, Matte Tin on tail | |
| HLST = High Temperature | | | | -G = 10µ" (0,25µm) Gold on contact area, Gold flash on balance | |
| | | | | -T = Matte Tin | |

Also Available

- Right Angle**
Call Samtec.
- Elevated**
Call Samtec.
- Surface Mount**
Call Samtec.
- Edge Mount**
Call Samtec.



Due to technical progress, all designs, specifications and components are subject to change without notice.

WWW.SAMTEC.COM