

NO. OF CKTS	DIM. A	DIM. B
1	NOT AVAILABLE	
2	(3.79) .156	(3.96±.05) 156±.002
3	(7.75) .342	(7.92±.08) 312±.003
4	(16.71) .856	(11.89±.08) 466±.003
5	(20.71) .856	(15.85±.06) 624±.003
6		(19.81±.10) 780±.004
7		(23.77±.10) 936±.004
8		(27.74±.10) 1092±.004
9		(31.70±.10) 1248±.004
10		(35.66±.15) 1404±.006
11		(39.62±.15) 1560±.006
12		(43.59±.15) 1716±.006
13		(47.55±.15) 1872±.006
14		(51.51±.18) 2028±.007
15		(55.47±.18) 2184±.007
16		(59.44±.20) 2340±.008
17		(63.40±.20) 2496±.008
18		(67.36±.23) 2652±.009
19		(71.32±.23) 2808±.009
20		(75.28±.23) 2964±.009

41695 - * - * N - ## - * *

MATERIAL CODE
 N=MOLDED NATURAL
 B=BLACK
 G=GLOW WIRE

PEG LOCATION
 A=CKT NO. 1
 B=CKT NO 2 ETC

VOID CODE

BLANK=NO VOIDS
 NO.=NO. CORRESPONDS TO CKT. NO. VOIDED
 MULT. VOIDS=START WITH 51

NO. OF CKTS.

OPTION CODE					
CODE	RAMP	POLARIZE	PACKAGING	RIB	PEG
A	NO	NO	BULK PER PK-41695-001	NO	NO
B	YES	NO	BULK PER PK-41695-002	NO	NO
D	YES	YES	BULK PER PK-41695-003	NO	NO
E	YES	NO	BULK PER PK-41695-002	YES	NO
F	NO	NO	TBD	NO	YES
G	END RAMP ONLY	YES	BULK PER PK-41695-003	NO	NO

- NOTES
- MATERIAL N - GLASS FILLED POLYESTER, UL94V-0, MOLDED NATURAL
 B - GLASS FILLED POLYESTER, UL94V-0, MOLDED BLACK
 G - UL94V-0 PA6 NYLON, IEC 60335-1, 4th EDITION GLOW WIRE CAPABLE, CO, OR BLACK
 - FINISH: SEE TERMINAL DRAWINGS
 - PRODUCT SPECIFICATION: PS-08-50 AND PS-40-02
 - PACKAGING INFORMATION: SEE LEGEND
 - MATES WITH (3.96)/1.56 CENTER HEADERS AND (1.41)/.045 SQUARE OR ROUND PINS
 - HOUSING/ACCEPTS STANDARD TERMINAL NOS.
 2478 (18-24 AWG) WITH (2.79)/.110 MAX. INSULATION DIA.
 2578 (22-26 AWG) WITH (1.65)/.065 MAX. INSULATION DIA.
 OR TRIFURCON TERMINAL NOS:
 6438 (18-22 AWG) WITH (2.79)/.110 MAX. INSULATION DIA.
 6838 (18-24 AWG) WITH (2.79)/.110 MAX. INSULATION DIA.
 7258 (22-26 AWG) WITH (1.65)/.065 MAX. INSULATION DIA.
 - BOW (.008 MM/MM) / .008 IN/IN
 - (0.13)/.005 MAX. FLASH ALLOWED ALONG DIMENSION B AND IN LOCKING WINDOW.
 - THIS PART CONFORMS TO CLASS B REQUIREMENTS OF COSMETIC SPECIFICATION PS-45499-002.

CHANGE CKT ID

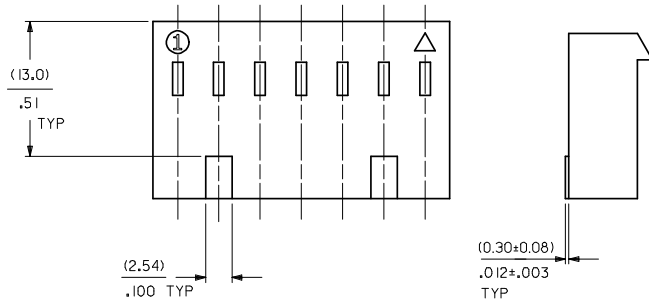
0
0

SEE CHART

4 6
3 62
2 6
1 62
SHT REV

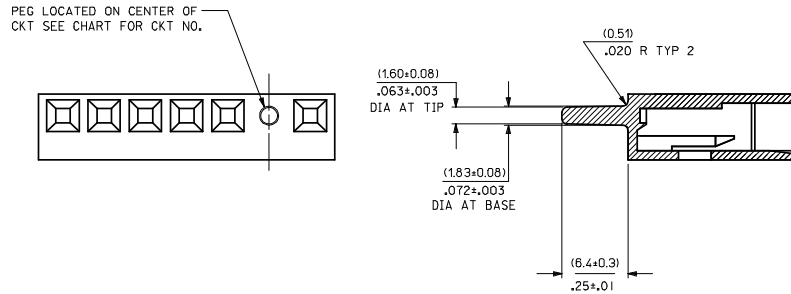
OPTION CODE E

RAMP WITH RIBS FOR OVER MOLDING



OPTION CODE F

PEG OPTION



41695-N-DN-*

PART NO.	ENG. NO.	VOIDS
	NOT AVAILABLE	
09-50-8023	41695-N-D2	
09-50-8033	41695-N-D3	
09-50-8043	41695-N-D4	
09-50-8053	41695-N-D5	
09-50-8063	41695-N-D6	
09-50-8073	41695-N-D7	
09-50-8083	41695-N-D8	
09-50-8093	41695-N-D9	
09-50-8103	41695-N-D10	
09-50-8113	41695-N-D11	
09-50-8123	41695-N-D12	
09-50-8133	41695-N-D13	
09-50-8143	41695-N-D14	
09-50-8153	41695-N-D15	
09-50-8163	41695-N-D16	
09-50-8173	41695-N-D17	
09-50-8183	41695-N-D18	
09-50-8193	41695-N-D19	
09-50-8203	41695-N-D20	
	41695-N-D15-12	12
09-50-9053	41695-N-D5-2	2
09-50-9094	41695-N-D9-3	3
09-50-9033	41695-N-D3-2	2
09-50-9043	41695-N-D4-2	2
09-50-9063	41695-N-D6-2	2
09-50-9073	41695-N-D7-2	2
09-50-9044	41695-N-D4-3	3

41695-N-EN-*

PART NO.	ENG. NO.	VOIDS
	NOT AVAILABLE	
09-50-8024	41695-N-E2	
	41695-N-E3	
	41695-N-E4	
	41695-N-E5	
09-50-8064	41695-N-E6	
	41695-N-E7	
	41695-N-E8	
	41695-N-E9	
	41695-N-E10	
	41695-N-E11	
	41695-N-E12	
	41695-N-E13	
	41695-N-E14	
	41695-N-E15	
	41695-N-E16	
	41695-N-E17	
	41695-N-E18	
	41695-N-E19	
	41695-N-E20	
09-50-9032	41695-N-E3-2	2
09-50-9042	41695-N-E4-2	2
09-50-9062	41695-N-E6-2	2
09-50-9072	41695-N-E7-2	2

41695-N-FN-***

PART NO.	ENG. NO.	PEG	VOIDS
	41695-N-F7-D	4	
	41695-N-F7-E	5	

<p>SEE SHEET 1</p> <p>REV: 1</p> <p>REV: 2</p> <p>REV: 3</p> <p>REV: 4</p> <p>REV: 5</p> <p>REV: 6</p> <p>REV: 7</p> <p>REV: 8</p> <p>REV: 9</p> <p>REV: 10</p> <p>REV: 11</p> <p>REV: 12</p> <p>REV: 13</p> <p>REV: 14</p> <p>REV: 15</p> <p>REV: 16</p> <p>REV: 17</p> <p>REV: 18</p> <p>REV: 19</p> <p>REV: 20</p>	<p>QUALITY SYMBOLS</p> <p>▽=0</p> <p>▽=0</p>	<p>GENERAL TOLERANCES (UNLESS SPECIFIED)</p> <table border="1"> <tr> <th></th> <th>mm</th> <th>INCH</th> </tr> <tr> <td>4 PLACES ±</td> <td>---</td> <td>---</td> </tr> <tr> <td>3 PLACES ±</td> <td>---</td> <td>---</td> </tr> <tr> <td>2 PLACES ±</td> <td>---</td> <td>---</td> </tr> <tr> <td>1 PLACE ±</td> <td>---</td> <td>---</td> </tr> </table> <p>ANGULAR ±1/2°</p>		mm	INCH	4 PLACES ±	---	---	3 PLACES ±	---	---	2 PLACES ±	---	---	1 PLACE ±	---	---	<p>DIMENSION STYLE</p> <p>MM/IN</p> <p>DRAWN BY: SAMIEC DATE: 09/01/87</p> <p>CHECKED BY: DATE: 09/01/87</p> <p>APPROVED BY: LENZ DATE: 09/01/87</p>	<p>SCALE</p> <p>---</p> <p>DESIGN UNITS</p> <p>INCH</p> <p>THIRD ANGLE PROJECTION</p> <p>TITLE</p> <p>(3.96)/.156 CENTERLINE CONNECTOR HOUSING FOR KK CRIMP TERMINAL</p>	<p>MATERIAL NO.</p> <p>SEE CHART</p> <p>DOCUMENT NO.</p> <p>SD-41695</p>	<p>SHEET NO.</p> <p>3 OF 4</p>
		mm	INCH																		
	4 PLACES ±	---	---																		
	3 PLACES ±	---	---																		
2 PLACES ±	---	---																			
1 PLACE ±	---	---																			
<p>DRAFT WHERE APPLICABLE MUST REMAIN WITHIN DIMENSIONS</p>																					
<p>THIS DRAWING CONTAINS INFORMATION THAT IS PROPRIETARY TO MOLEX INCORPORATED AND SHOULD NOT BE USED WITHOUT WRITTEN PERMISSION</p>																					
<p>MOLEX MOLEX INCORPORATED</p>																					