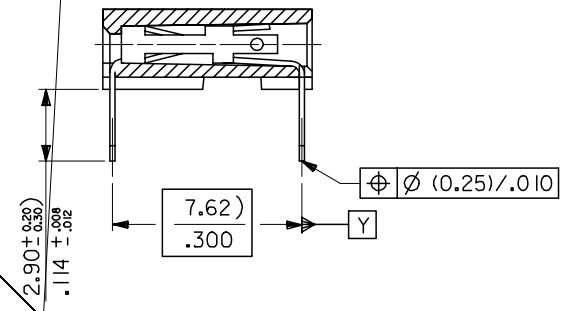


RECOMMENDED P.C. BOARD HOLE PATTERN FOR STRAIGHT PINS



SECTION C-C SHOWING STRAIGHT PINS

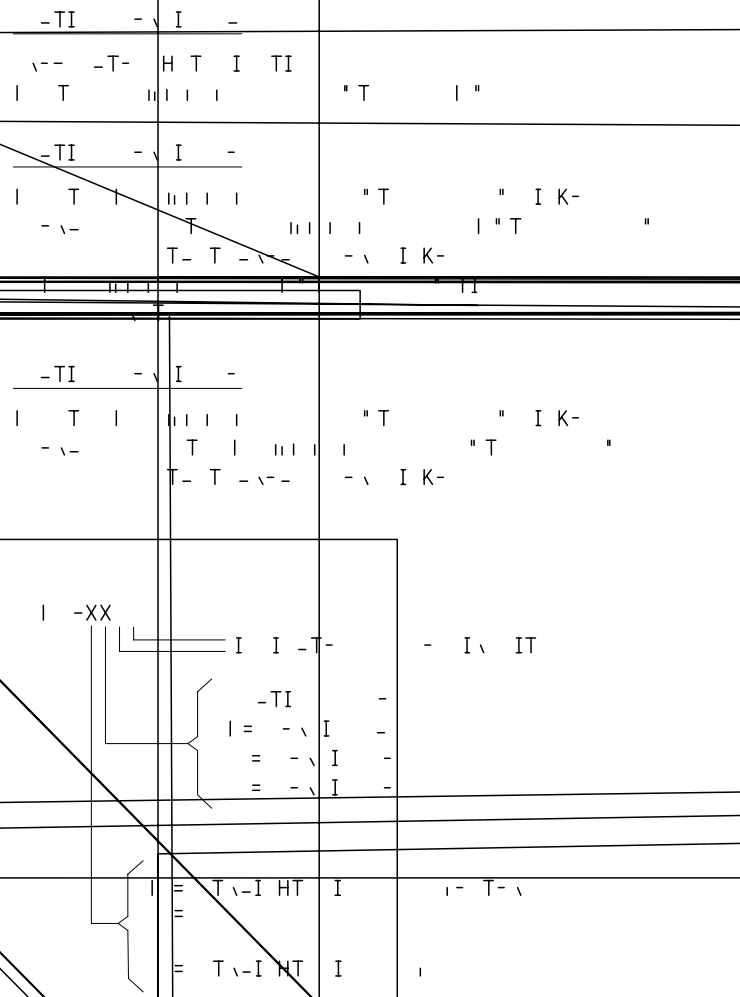
NOTES

- 1) CONTACT-PLATED PHOSPHOR BRONZE.  
(SEE SHEET 2)
- 2) HOUSING  
POLYESTER (PBT), 15% GLASS FILL, UL94-V0.  
COLOR: BLACK.  
ALSO  
POLYAMIDE (PA4/6), 30% GLASS FILL, UL94-V0.  
COLOR: NATURAL.
- 3) FOR (0.635) / .025 SQ. MALE PINS THE  
LENGTH MUST BE (5.65) / .222 MIN &  
(7.00) / .276 MAX. TO ENSURE GOOD  
CONNECTION WITH CONTACT.
- 4) PRODUCT SPECIFICATIO

				$B_{\pm}$	

90148-1X02		90148-4X02		
		03		
		04		
		05		
		06		
		07		
		08		
		09		
		10		
		11		
		12		
		13		
		14		
		15		
		16		
		17		
		18		
		19		
		20		
		21		
		22		
		23		
		24		
		25		
		26		(66.04) 2.600
		27		
		28		
		29		
		30		
		31		

90148-1X32		90148-4X32		
------------	--	------------	--	--



▼ 0  
0

ADD NEW P/N

SEE CHART