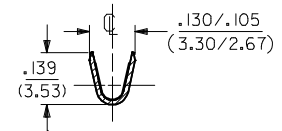
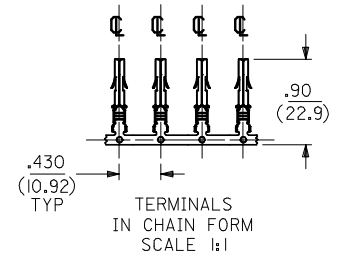
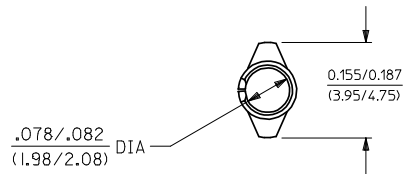
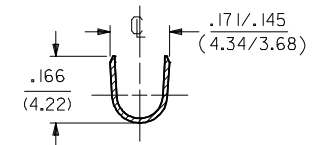


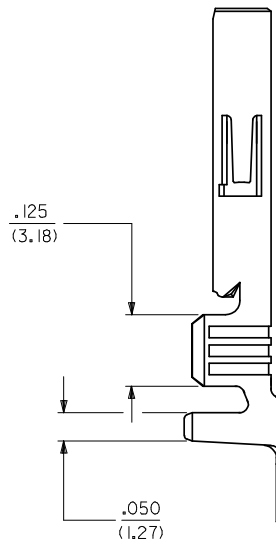
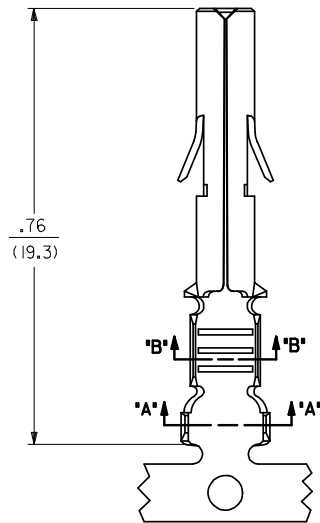
SOCKET TERMINAL
42024-***



SECTION "B-B"
WIRE CRIMP AREA



SECTION "A-A"
INSULATION CRIMP AREA



SEE SHEET 2 FOR CHART, MATERIAL, PLATING, NOTES, AND CRIMP OPTIONS

ENTER DESCRIPTION EC NO: 12008-0359 DRAWN BY: 2008/03/03 CHKD: VINU 2008/03/03 APPR: KPRASAD 2008/03/03	QUALITY SYMBOLS ▽=0 ▽=0	GENERAL TOLERANCES (UNLESS SPECIFIED)		DIMENSION STYLE IN/MM	SCALE 4:1	DESIGN UNITS INCH	THIRD ANGLE PROJECTION
		mm	INCH	DRAWN BY: SUDHIR DATE: 2004/09/27	CHECKED BY: KPRASAD DATE: 2004/09/27	TITLE RMINAL, SOCKET 84/(2.13) DIA. SERIES	
		4 PLACES	± --- ± ---	APPROVED BY: KPRASAD DATE: 2004/09/27		MATERIAL NO. SEE CHART	
		3 PLACES	± --- ± .010	DOCUMENT NO. SD-42024-****		SHEET NO. 1 OF 2	
		2 PLACES	± 0.25 ± .015	THIS DRAWING CONTAINS INFORMATION THAT IS PROPRIETARY TO MOLEX INCORPORATED AND SHOULD NOT BE USED WITHOUT WRITTEN PERMISSION			
		1 PLACE	± 0.38 ± ---				
		ANGULAR ±1/2°					
		DRAFT WHERE APPLICABLE MUST REMAIN WITHIN DIMENSIONS					

