

A fully screened robust range of DIN connectors for use in instrumentation and audio applications. Available in two finishes; bright nickel and non-reflective electrically conductive matt black. Robust construction incorporating cable grip and strain relief. This line socket mates with all standard and lockable plugs.

Manufactured to DIN 41524, 45322, 45326, 45327 and 45329.

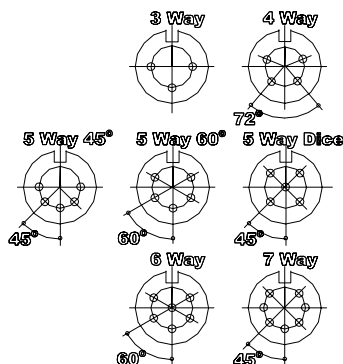
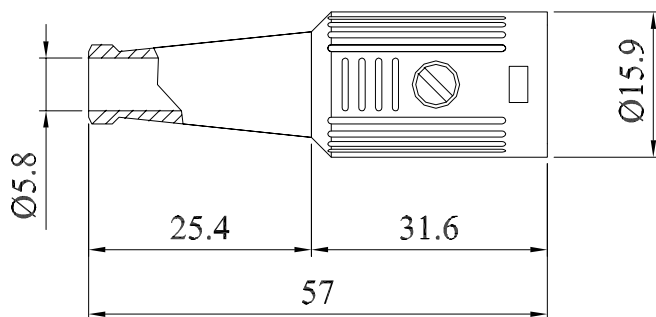
MATERIALS

- HOUSING : Zinc Alloy
heavy nickel plated over copper
- MOULDING : Nylon
- CONTACTS : Brass
Silver Plated
- CABLE CLAMP : Mild Steel
zinc plated
- GROMMET : Black P.V.C.

ELECTRICAL RATINGS

- Working Voltage : 100 Vd.c. or a.c. peak
- Test Voltage : 1000 Vd.c.
- Insulation Resist. : $10^{11} \Omega$ min at 100 Vd.c.
- Current Rating : 4 A
- Contact Resist. : 10 m Ω max
- Capacity (mated) : 3 pF
- Temp. Range : -25°C to +70°C

Dimensions



Type	Deltron No
3 Way	600-0300
4 Way	600-0400
5 Way 45°	600-0500
5 Way 60°	600-0510
5 Way Dice	600-0520
6 Way	600-0600
7 Way	600-0700

CONVERTED FROM PS0457 ISS4 (19.06.96) IN JAN 2003

DrgNo 600 SERIES	TITLE SCREENED DIN CONNECTOR LINE SOCKET (NICKEL)	ALL DIMENSIONS IN MM ANGLES IN DECIMAL DEGREES			
	ISSUE 4 GENERAL SPECIFICATION FOR 600 SERIES	CUSTOMER		FILTER REF	
		Aprvd Date 10/02/03	Aprvd By MC	Drwn by BFS	Scale: NTS