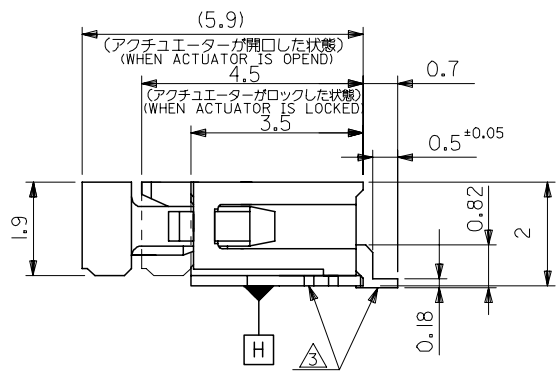


注記 NOTES

1. 使用材料 : MATERIAL
 ハウジング : 46ナイロン, UL94V-0
 46NYLON
 アクチュエータ : PPS, UL94V-0
 ACTUATOR
 ターミナル : リン青銅 (t=0.2)
 TERMINAL PHOS-BRO
 : 錫ビスマスマメッキ 1.0マイクロメートル以上
 TIN-BISMUTH I.O. MICROMETER MINIMUM
 : ニッケル下地 1.0マイクロメートル以上
 NICKEL (UNDER PLATING) I.O. MICROMETER MINIMUM
 金具 : リン青銅 (t=0.2)
 FITTING NAIL PHOS-BRO
 : 錫メッキ 1.0マイクロメートル以上
 TIN I.O. MICROMETER MINIMUM
 : ニッケル下地 1.0マイクロメートル以上
 NICKEL (UNDER PLATING) I.O. MICROMETER MINIMUM
2. エンボステープ梱包時は、アクチュエータがロックした状態とする。
 IN THE PACKAGE, ACTUATOR OF PART NO.52435-**26 SHOULD BE LOCKED.
- △ ソルダータール半田付け面のズレ量、及び金具半田付け面のズレ量は、基準面 H に対し上方向 0.1 MAX. , 下方向 0.15 MAX. とする。
 MISALIGNMENT OF SOLDER TAILS AND FITTING NAILS FROM H UPPER DIRECTION: 0.1 MAX. , LOWER DIRECTION: 0.15 MAX.
- △ 偶数極に適用。
 APPLY FOR EVEN CIRCUIT.
- △ パターンはくり止め用金具。
 FITTING NAIL FOR PREVENTION OF PEELING OF P.C.B. PATTERN.
- △ R0.3は、FPCの導体部にカガらないこと。
 R0.3 MUST NOT BE OVERLAPPED TO PATTERN OF FPC.
7. 本製品は52435-**27の鉛フリー品です。
 THIS PRODUCT IS LEAD FREE OF 52435-**27.
8. MATERIAL NO.
 52435-**2*



| | |
|---|---------|
| 1 | BLACK |
| 6 | NATURAL |

| | | | | | | | | | |
|--|---------------------------------------|-------|--|--------------------|---|------------------------|---|---------------------|--|
| REVISED EC NO: J2006-1608 DRWN: MAEDA CHK: NUKITA APPR: NUKITA 2005/11/15 2005/11/16 2005/11/21 | GENERAL TOLERANCES (UNLESS SPECIFIED) | | DIMENSION STYLE MM ONLY | | SCALE --- | DESIGN UNITS METRIC | THIRD ANGLE PROJECTION | | |
| | 10 UNDER | ±0.2 | DRAWN BY YMAEDA | DATE 2005/11/10 | TITLE 0.5 FPC CONN ZIF FOR SMT R/A (TOP CONTACT) -LEAD FREE- | | | | |
| | 10 OVER 30 UNDER | ±0.25 | CHECKED BY MTANAKA | DATE 2005/11/10 | MOLEX MOLEX INCORPORATED | | | | |
| | 30 OVER | ±0.3 | APPROVED BY NUKITA | DATE 2005/11/10 | MATERIAL NO. SEE CHART | | DOCUMENT NO. SD-52435-019 | SHEET NO. 1 OF 2 | |
| | ANGULAR | ±3 ° | DRAFT WHERE APPLICABLE MUST REMAIN WITHIN DIMENSIONS | | SIZE A3 | | THIS DRAWING CONTAINS INFORMATION THAT IS PROPRIETARY TO MOLEX INCORPORATED AND SHOULD NOT BE USED WITHOUT WRITTEN PERMISSION | | |

F

E

D

C

B

A

F

E

D

C

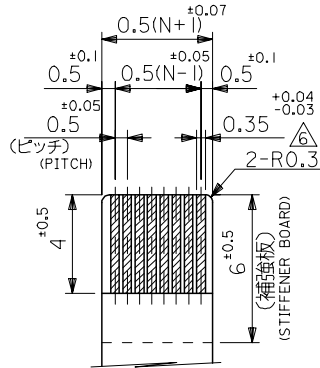
B

A

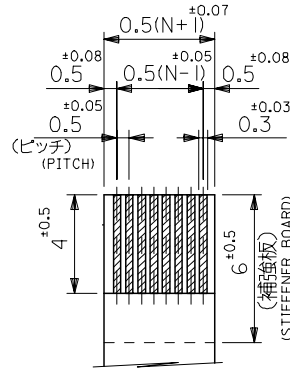
FPCについて：
 打抜き方向は導体側から補強板側を推奨致します。
 補強フィルム材質はポリイミドを推奨致します。
 接着剤は熱硬化接着剤を推奨致します。

ABOUT FPC:

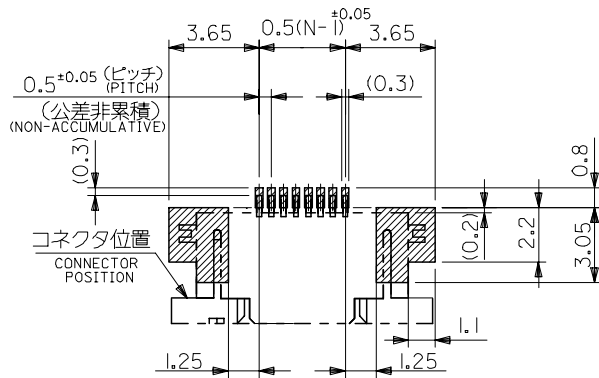
RECOMMENDED PUNCHER DIRECTION : FROM CONDUCTOR SIDE TO STIFFENER BOARD SIDE.
 RECOMMENDED MATERIAL :
 STIFFENER FILM : POLYIMIDE
 BONDING AGENT : THERMOSETTING BONDING AGENT



適合FPC推奨寸法
 APPLICABLE FPC
 RECOMMENDED DIMENSION.
 (仕上がり厚さ: 0.3 ± 0.05)
 (THICKNESS: 0.3 ± 0.05)



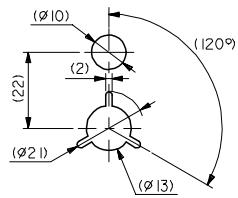
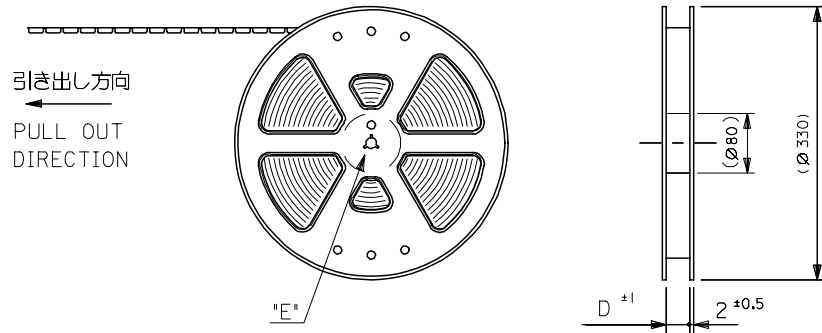
適合FFC推奨寸法
 APPLICABLE FFC
 RECOMMENDED DIMENSION.
 (仕上がり厚さ: 0.3 ± 0.05)
 (THICKNESS: 0.3 ± 0.05)



参考基板レイアウト
 (マウント面)
 RECOMMENDED P.C. BOARD
 PATTERN DIMENSION (REF.)
 (MOUNTING SIDE)

| | | | | | |
|------|------|-------|------|------------|-----------|
| 21.6 | 19.6 | 15.65 | 14.5 | 52435-302* | 30 |
| 21.1 | 19.1 | 15.15 | 14.0 | -292* | 29 |
| 20.6 | 18.6 | 14.65 | 13.5 | -282* | 28 |
| 20.1 | 18.1 | 14.15 | 13.0 | -272* | 27 |
| 19.6 | 17.6 | 13.65 | 12.5 | -262* | 26 |
| 19.1 | 17.1 | 13.15 | 12.0 | -252* | 25 |
| 18.6 | 16.6 | 12.65 | 11.5 | -242* | 24 |
| 18.1 | 16.1 | 12.15 | 11.0 | -232* | 23 |
| 17.6 | 15.6 | 11.65 | 10.5 | -222* | 22 |
| 17.1 | 15.1 | 11.15 | 10.0 | -212* | 21 |
| 16.6 | 14.6 | 10.65 | 9.5 | -202* | 20 |
| 16.1 | 14.1 | 10.15 | 9.0 | -192* | 19 |
| 15.6 | 13.6 | 9.65 | 8.5 | -182* | 18 |
| 15.1 | 13.1 | 9.15 | 8.0 | -172* | 17 |
| 14.6 | 12.6 | 8.65 | 7.5 | -162* | 16 |
| 14.1 | 12.1 | 8.15 | 7.0 | -152* | 15 |
| 13.6 | 11.6 | 7.65 | 6.5 | -142* | 14 |
| 13.1 | 11.1 | 7.15 | 6.0 | -132* | 13 |
| 12.6 | 10.6 | 6.65 | 5.5 | -122* | 12 |
| 12.1 | 10.1 | 6.15 | 5.0 | -112* | 11 |
| 11.6 | 9.6 | 5.65 | 4.5 | -102* | 10 |
| 11.1 | 9.1 | 5.15 | 4.0 | -092* | 9 |
| 10.6 | 8.6 | 4.65 | 3.5 | -082* | 8 |
| 10.1 | 8.1 | 4.15 | 3.0 | -072* | 7 |
| 9.6 | 7.6 | 3.65 | 2.5 | 52435-062* | 6 |
| D | C | B | (A) | ENG. NO. | 極致 TCT |

| | | | | | | | | |
|---|--|---------------------------------------|------------|-----------------|------------|--|------------------------|--|
| REVISED EC NO: J2006-1608 DRWN: MAEDA CHKD: NUKITA APPR: NUKITA | 2005/11/15 2005/11/16 2005/11/21 | GENERAL TOLERANCES (UNLESS SPECIFIED) | | DIMENSION STYLE | SCALE | DESIGN UNITS | THIRD ANGLE PROJECTION | |
| | | | | MM ONLY | --- | METRIC | | |
| | | 10 UNDER | ± 0.2 | DRAWN BY | DATE | TITLE | | |
| | | 10 OVER 30 UNDER | ± 0.25 | YMAEDA | 2005/11/10 | 0.5 FPC CONN ZIF FOR SMT R/A (TOP CONTACT) -LEAD FREE- | | |
| | | 30 OVER | ± 0.3 | CHECKED BY | DATE | MOLEX INCORPORATED | | |
| ANGULAR | ± 3 ° | MTANAKA | 2005/11/10 | APPROVED BY | | DATE | SHEET NO. | |
| DRAFT WHERE APPLICABLE MUST REMAIN WITHIN DIMENSIONS | | NUKITA | 2005/11/10 | MATERIAL NO. | | DOCUMENT NO. | 2 OF 2 | |
| | | SEE CHART | | SD-52435-019 | | | | |
| THIS DRAWING CONTAINS INFORMATION THAT IS PROPRIETARY TO MOLEX INCORPORATED AND SHOULD NOT BE USED WITHOUT WRITTEN PERMISSION | | | | | | | | |



DETAIL "E"

5. 材料 (MATERIAL)

キャリアテープ (CARRIER TAPE): ポリプロピレン (POLYPROPYLENE)
 トップテープ (TOPTAPE): PET, PE, PEF
 リール (REEL): ポリスチレン (PS) <リサイクル材を含む>
 POLYSTYREN (PS) <RECYCLE MATERIAL CONTAINED>

6. 本製品は52435-***91の鉛フリー品です。
 THIS PRODUCT IS LEAD FREE OF 52435-***91.

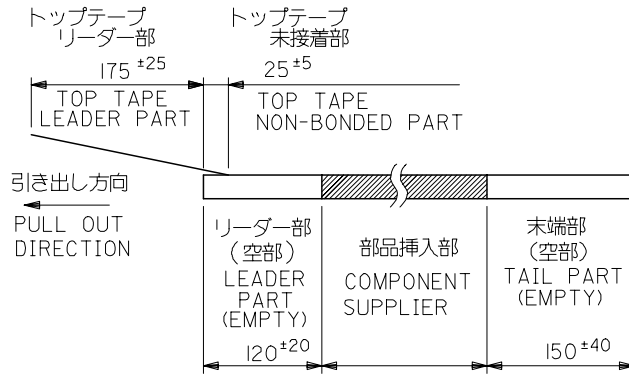
7. MATERIAL NO.

52435-***7*

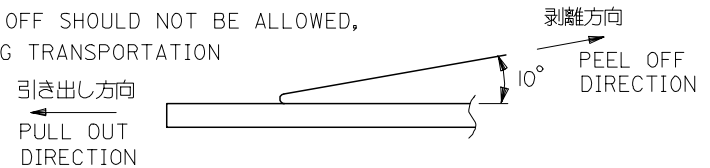
| | |
|---|---------|
| 2 | NATURAL |
| 3 | BLACK |

注記 NOTES

- 製品番号 52435-***26 の梱包状態はアクチュエータがロックした状態とする。
 詳細寸法については図面 SD-52435-019 を参照下さい。
 IN THE PACKAGE, ACTUATOR OF PART NO. 52435-***26 SHOULD BE LOCKED RE DETAILED DIMENSIONS, SEE SD-52435-019
- 梱包数量: 1000個/リール
 NUMBER OF CONNECTORS: 1000PCS/REEL
- リードテープ長さ LEAD TAPE LENGTH



- トップテープの剥離強度: (剥離方向は下図参照)
 0.1N ~ 1.3N (10gf ~ 130gf) 尚、本規格値は、出荷時に適用。
 (但し、輸送時に剥離が発生しない事。)
 PEELING OFF FORCE OF TOP TAPE
 0.1N ~ 1.3N (10gf ~ 130gf) (PEELING DIRECTION AS SHOWN IN FOLLOWING FIG.)
 THIS REQUIREMENT SHOULD BE APPLIED AT SHIPMENT
 PEEL OFF SHOULD NOT BE ALLOWED,
 DURING TRANSPORTATION



| | | | | | | | | | | |
|---|---|---------------------------------------|--------|--|--------------------|---|------------------------|------------------------|--|--|
| REVISED EC NO: J2006-1608 DRWN: MAEDA CHKD: NUKITA APPR: NUKITA | DESCRIPTION 2005/11/15 2005/11/16 2005/11/21 | GENERAL TOLERANCES (UNLESS SPECIFIED) | | DIMENSION STYLE MM ONLY | | SCALE --- | DESIGN UNITS METRIC | THIRD ANGLE PROJECTION | | |
| | | 10 UNDER | ± 0.2 | DRAWN BY YMAEDA | DATE 2005/11/11 | TITLE 0.5 FPC CONN ZIF SMT R/A WITH TAPE EMBSTP PKG -LEAD FREE- | | | | |
| | | 10 OVER 30 UNDER | ± 0.25 | CHECKED BY MTANAKA | DATE 2005/11/11 | MOLEX INCORPORATED | | | | |
| | | 30 OVER | ± 0.3 | APPROVED BY NUKITA | DATE 2005/11/11 | MATERIAL NO. SEE CHART DOCUMENT NO. SD-52435-020 SHEET NO. 1 OF 3 | | | | |
| A | REV | ANGULAR ± 3 ° | | DRAFT WHERE APPLICABLE MUST REMAIN WITHIN DIMENSIONS | | THIS DRAWING CONTAINS INFORMATION THAT IS PROPRIETARY TO MOLEX INCORPORATED AND SHOULD NOT BE USED WITHOUT WRITTEN PERMISSION | | | | |

10 9 8 7 6 5 4 3 2 1

F

E

D

C

B

A

F

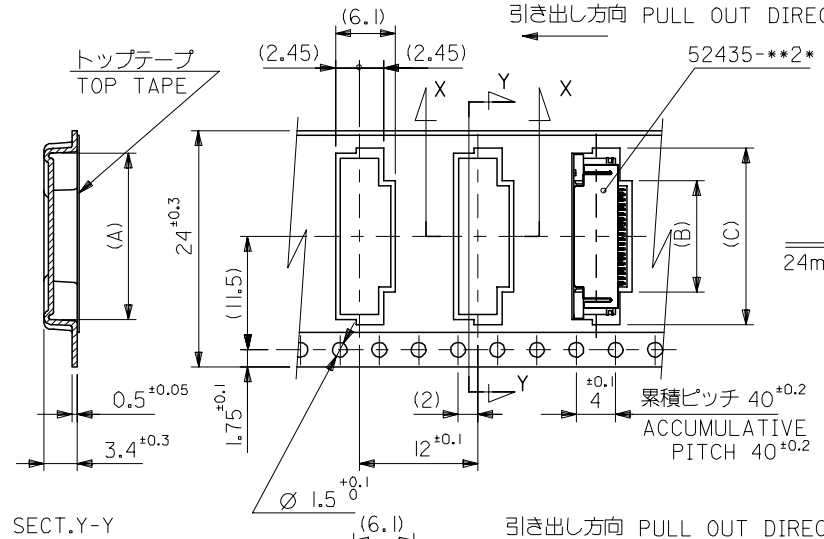
E

D

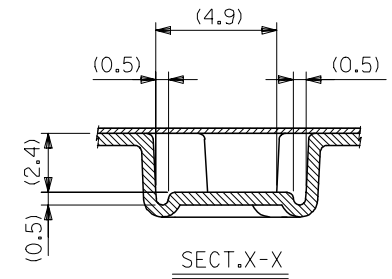
C

B

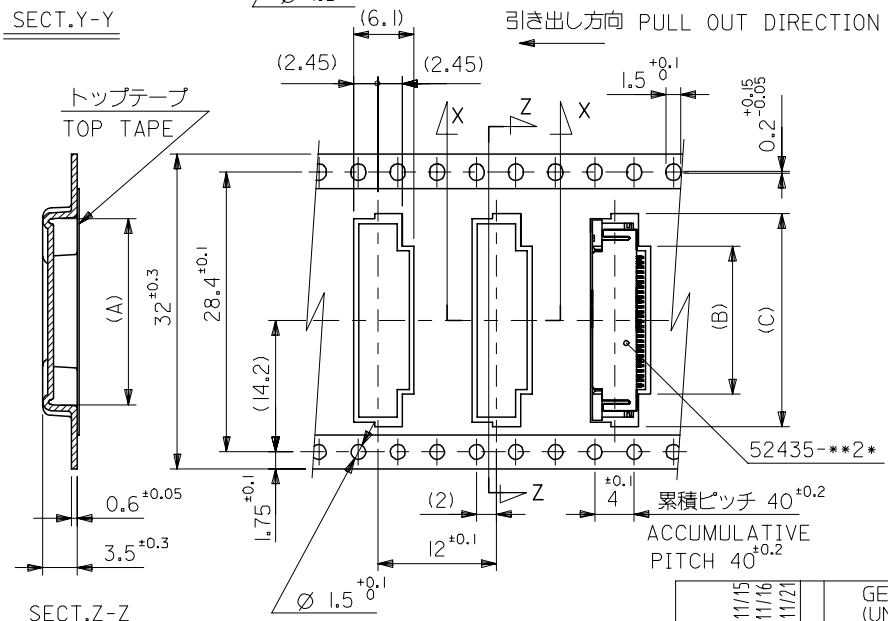
A



24mm幅キャリアテープ
24mm WIDTH CARRIER TAPE



SECT.X-X



32mm幅キャリアテープ
32mm WIDTH CARRIER TAPE

| | | | | | | |
|--------------------------------|------|------|-------------|------|-------------|---------------|
| 32 | 33.5 | 22.4 | 15.8 | 21.4 | 52435-297 * | 29 |
| | | 21.9 | 15.3 | 20.9 | -287 * | 28 |
| | | 21.4 | 14.8 | 20.4 | -277 * | 27 |
| | | 20.9 | 14.3 | 19.9 | -267 * | 26 |
| | | 20.4 | 13.8 | 19.4 | -257 * | 25 |
| | | 19.9 | 13.3 | 18.9 | -247 * | 24 |
| | | 19.4 | 12.8 | 18.4 | -237 * | 23 |
| | | 18.9 | 12.3 | 17.9 | -227 * | 22 |
| | | 17.9 | 11.3 | 16.9 | -207 * | 20 |
| | | 17.4 | 10.8 | 16.4 | -197 * | 19 |
| 24 | 25.5 | 16.9 | 10.3 | 15.9 | -187 * | 18 |
| | | 16.4 | 9.8 | 15.4 | -177 * | 17 |
| | | 15.9 | 9.3 | 14.9 | -167 * | 16 |
| | | 15.4 | 8.8 | 14.4 | -157 * | 15 |
| | | 14.9 | 8.3 | 13.9 | -147 * | 14 |
| | | 14.4 | 7.8 | 13.4 | -137 * | 13 |
| | | 13.9 | 7.3 | 12.9 | -127 * | 12 |
| | | 13.4 | 6.8 | 12.4 | -117 * | 11 |
| | | 12.9 | 6.3 | 11.9 | -107 * | 10 |
| | | 12.4 | 5.8 | 11.4 | -097 * | 9 |
| 11.9 | 5.3 | 10.9 | -087 * | 8 | | |
| 11.4 | 4.8 | 10.4 | -077 * | 7 | | |
| 10.9 | 4.3 | 9.9 | 52435-067 * | 6 | | |
| キャリアテープ幅 CARRIER TAPE WIDTH | | (C) | (B) | (A) | 52435-067 * | 極数 CIRCUIT |

| | | | | | | |
|---|---------------------------------------|---|-----------------|--------------|--------------|---|
| REVISED EC NO: J2006-1608 DRWN: MAEDA CHKD: NUKITA APPR: NUKITA | GENERAL TOLERANCES (UNLESS SPECIFIED) | | DIMENSION STYLE | SCALE | DESIGN UNITS | THIRD ANGLE PROJECTION |
| | | | MM ONLY | --- | METRIC | |
| | 10 UNDER | ±0.2 | DRAWN BY | DATE | TITLE | 0.5 FPC CONN ZIF SMT R/A WITH TAPE EMBSTP PKG -LEAD FREE- |
| | 10 OVER 30 UNDER | ±0.25 | YMAEDA | 2005/11/11 | | |
| | 30 OVER | ±0.3 | CHECKED BY | DATE | | MOLEX INCORPORATED |
| | | MTANAKA | 2005/11/11 | | | |
| ANGULAR | ±3 ° | APPROVED BY | DATE | MATERIAL NO. | DOCUMENT NO. | SHEET NO. |
| | | NUKITA | 2005/11/11 | SEE CHART | SD-52435-020 | 2 OF 3 |
| DRAFT WHERE APPLICABLE MUST REMAIN WITHIN DIMENSIONS | | THIS DRAWING CONTAINS INFORMATION THAT IS PROPRIETARY TO MOLEX INCORPORATED AND SHOULD NOT BE USED WITHOUT WRITTEN PERMISSION | | | | |

10 9 8 7 6 5 4 3 2 1

F

E

D

C

B

A

F

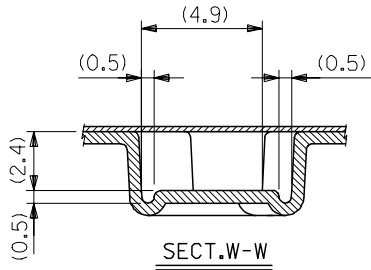
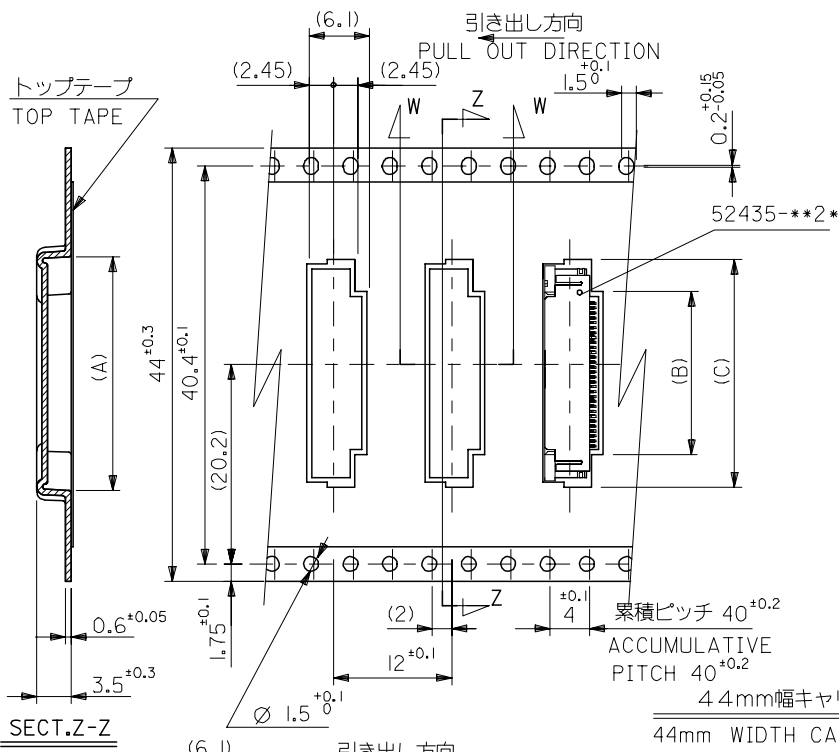
E

D

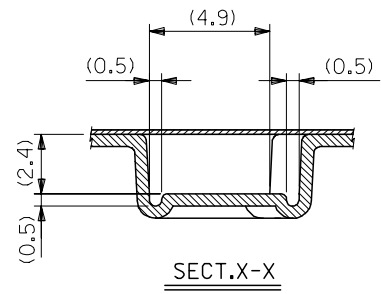
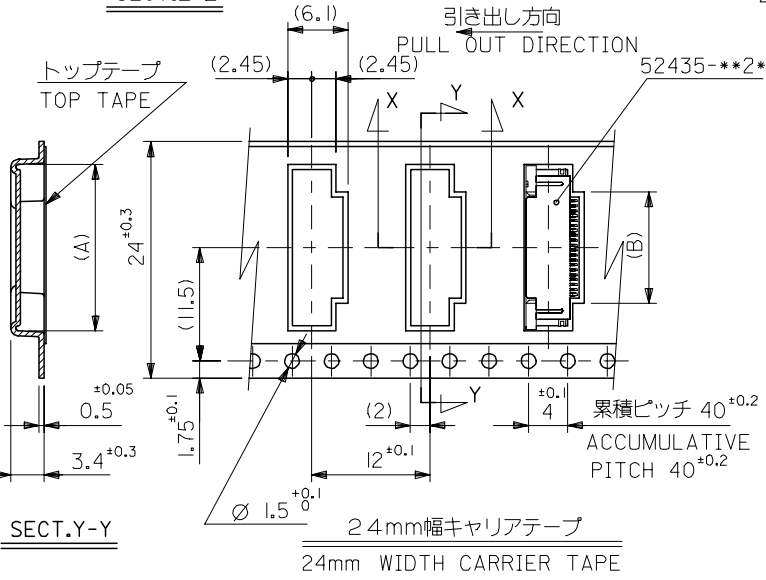
C

B

A



| | | | | | | |
|--------------------------------|------|------|------|------|------------|---------------|
| 44 | 45.5 | 22.9 | 16.3 | 21.9 | 52435-307* | 30 |
| キャリアテープ幅 CARRIER TAPE WIDTH | D | (C) | (B) | (A) | ENG. NO. | 極数 CIRCUIT |



| | | | | | |
|--------------------------------|------|------|------|------------|---------------|
| 24 | 25.5 | 11.8 | 17.4 | 52435-217* | 21 |
| キャリアテープ幅 CARRIER TAPE WIDTH | D | (B) | (A) | ENG. NO. | 極数 CIRCUIT |

| | | | | | | | |
|--|---------------------------------------|-----------|----------------------------|---|--|------------------------|------------------------|
| REVISED EC NO: J2006-1608 DRWN: MAEDA CHK: NUKITA APPR: NUKITA 2005/11/15 2005/11/16 2005/11/21 | GENERAL TOLERANCES (UNLESS SPECIFIED) | | DIMENSION STYLE MM ONLY | | SCALE --- | DESIGN UNITS METRIC | THIRD ANGLE PROJECTION |
| | 10 UNDER | ±0.2 | DRAWN BY YMAEDA | DATE 2005/11/11 | TITLE 0.5 FPC CONN ZIF SMT R/A WITH TAPE EMBSTP PKG -LEAD FREE- MOLEX INCORPORATED | | |
| | 10 OVER 30 UNDER | ±0.25 | CHECKED BY MTANAKA | DATE 2005/11/11 | | | |
| | 30 OVER | ±0.3 | APPROVED BY NUKITA | DATE 2005/11/11 | | | |
| | ANGULAR | ±3 ° | MATERIAL NO. | | DOCUMENT NO. SD-52435-020 | SHEET NO. 3 OF 3 | |
| DRAFT WHERE APPLICABLE MUST REMAIN WITHIN DIMENSIONS | | SEE CHART | | THIS DRAWING CONTAINS INFORMATION THAT IS PROPRIETARY TO MOLEX INCORPORATED AND SHOULD NOT BE USED WITHOUT WRITTEN PERMISSION | | | |

9 8 7 6 5 4 3 2 1