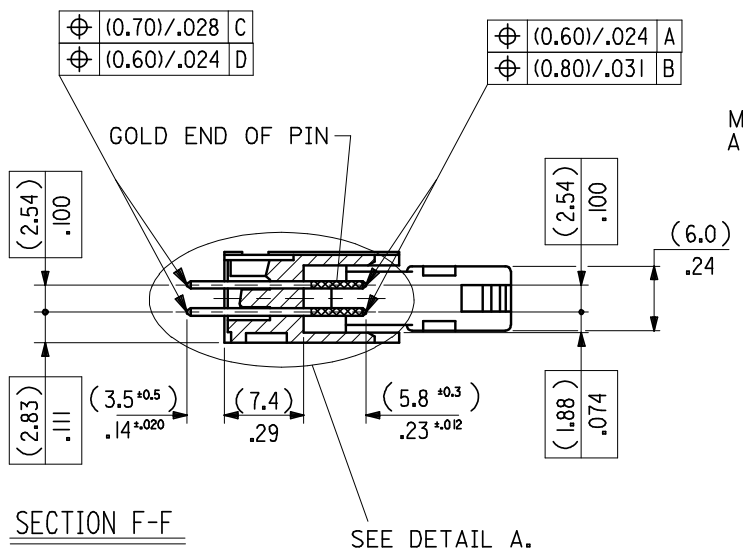
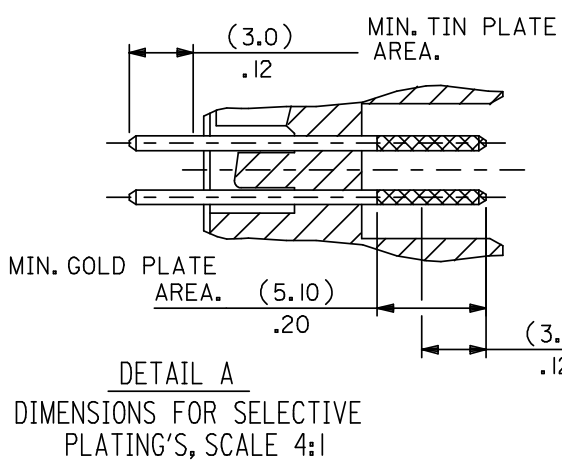
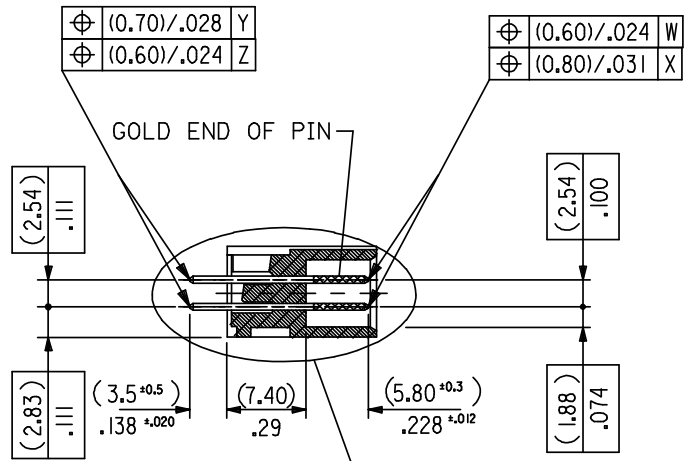
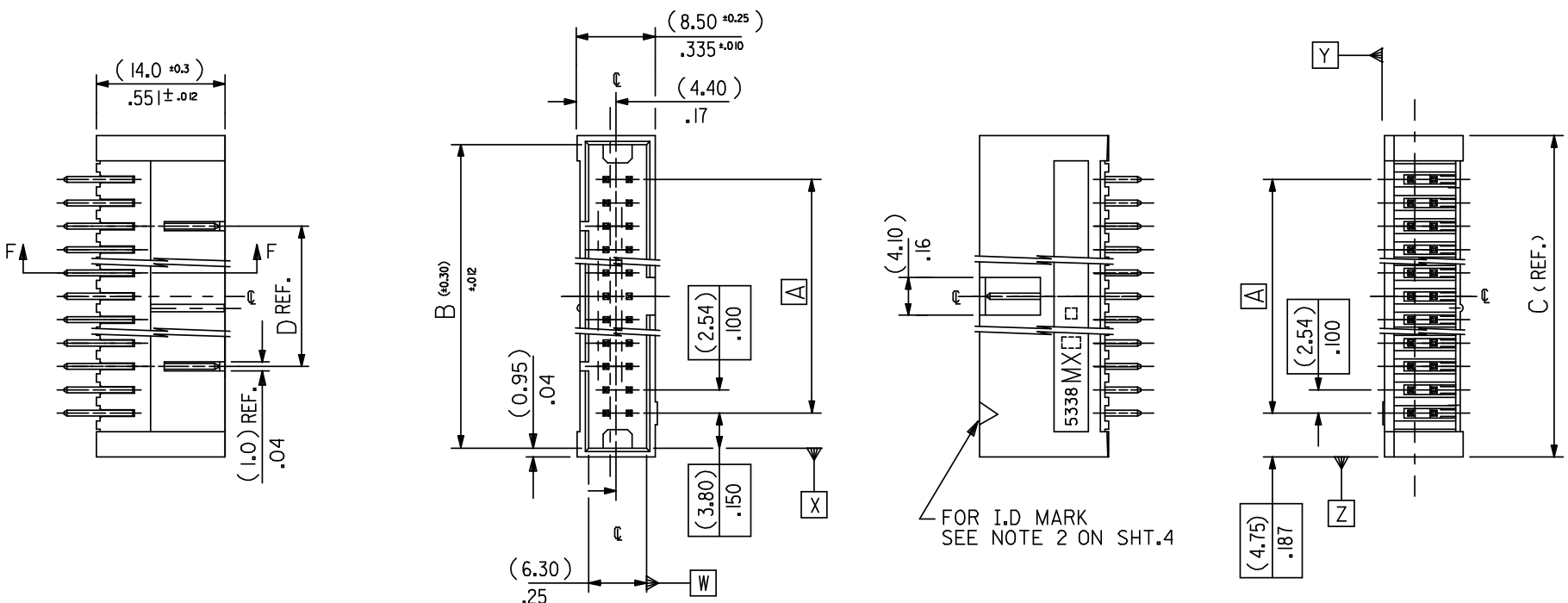


DIMENSIONS FOR SELECTIVE PLATING'S, SCALE 4:1

- NOTES:
- FOR MATERIAL SPECIFICATION SEE NOTE 1. ON SHEET 2.
 - FOR RECOMMENDED P.C.B.HOLE PATTERN, PART No's AND UNSTATED DIMENSIONS SEE SHEET 2.
 - PRODUCT SPEC. No. :PS 99020-0015



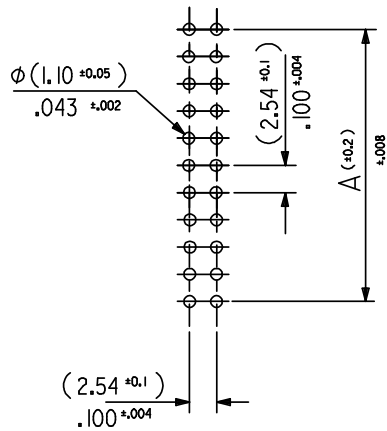
CHANGED GEN TOL. EC NO: E2008-0461 DRWN:ILK/ERNAN 2008/03/05 CHKD: 2008/03/06 APPR:BMAGUIRE 2008/03/06	QUALITY SYMBOLS ▼ = ▽ =	GENERAL TOLERANCES (UNLESS SPECIFIED)		DIMENSION STYLE IN/MM	SCALE 2:1	DESIGN UNITS INCH	THIRD ANGLE PROJECTION		
		4 PLACES ± --- ±	3 PLACES ± ±	DRAWN BY SM	DATE 3 /8/90	TITLE QIK FLECS WIPE FEMALE			
REV	DESCRIPTION	2 PLACES ±0.15 ±.005	1 PLACE ±0.02 ±.008	CHECKED BY X	DATE	MOLEX INCORPORATED			
		ANGULAR ±1/2°		APPROVED BY X	DATE	DOCUMENT NO. SDA-90571		SHEET NO. 1 OF 4	
DRAFT WHERE APPLICABLE MUST REMAIN WITHIN DIMENSIONS				MATERIAL NO.	THIS DRAWING CONTAINS INFORMATION THAT IS PROPRIETARY TO MOLEX INCORPORATED AND SHOULD NOT BE USED WITHOUT WRITTEN PERMISSION				



- NOTES:
- FOR MATERIAL SPECIFICATION SEE NOTE 1. ON SHEET 4.
 - FOR RECOMMENDED P.C.B.HOLE PATTERN, PART No's AND UNSTATED DIMENSIONS SEE SHEET 4.
 - PRODUCT SPEC. No. : PS-99020-0015

CHANGED GEN TOL. EC NO: E2008-0461 DRWN:KJERNAN 2008/03/05 CHKD: 2008/03/06 APPR:BYAGUIRE 2008/03/06	QUALITY SYMBOLS	GENERAL TOLERANCES (UNLESS SPECIFIED)	DIMENSION STYLE	SCALE	DESIGN UNITS	THIRD ANGLE PROJECTION
	▽ =	4 PLACES ± --- ±	IN/MM	2:1	INCH	⊙ □
	∇ =	3 PLACES ± ±	mm INCH	DRAWN BY DATE	TITLE	
		2 PLACES ±0.15 ±.005	SM 3/8/90	CHECKED BY DATE	QIK FLECS HEADER FOR IMPROVED WIPE FEMALE	
	1 PLACE ±0.20 ±.008	APPROVED BY DATE	MATERIAL NO.		MOLEX INCORPORATED	
	ANGULAR ±1/2°	DRAFT WHERE APPLICABLE MUST REMAIN WITHIN DIMENSIONS	SEE CHART		DOCUMENT NO.	SHEET NO.
			SIZE A3	THIS DRAWING CONTAINS INFORMATION THAT IS PROPRIETARY TO MOLEX INCORPORATED AND SHOULD NOT BE USED WITHOUT WRITTEN PERMISSION		3 OF 4

(78.74)/3.100	(86.34)/3.400	(88.24)/3.474	(63.50)/2.500	90571-2641	90571-2642	90571-2643	—————	64
(73.66)/2.900	(81.26)/3.200	(83.16)/3.274	(50.80)/2.000	↑ -2601	↑ -2602	↑ -2603	—————	60
(60.96)/2.400	(68.56)/2.700	(70.46)/2.774	(38.10)/1.500	-2501	-2502	-2503	90571-2509	50
(48.26)/1.900	(55.86)/2.200	(57.76)/2.274	(33.02)/1.300	-2401	-2402	-2403	↑ -2409	40
(40.64)/1.600	(48.24)/1.900	(50.14)/1.974	(30.48)/1.200	-2341	-2342	-2343	-2349	34
(35.56)/1.400	(43.16)/1.700	(45.06)/1.774	(25.40)/1.000	-2301	-2302	-2303	-2309	30
(30.48)/1.200	(38.08)/1.500	(39.98)/1.574	—————	-2261	-2262	-2263	-2269	26
(22.86)/.900	(30.46)/1.200	(32.36)/1.274	—————	-2201	-2202	-2203	-2209	20
(17.78)/.700	(25.38)/1.000	(27.28)/1.074	—————	-2161	-2162	-2163	-2169	16
(15.24)/.600	(22.84)/.900	(24.74)/.974	—————	↓ -2141	↓ -2142	↓ -2143	↓ -2149	14
(10.16)/.400	(17.76)/.700	(19.66)/.774	—————	90571-2101	90571-2102	90571-2103	90571-2109	10
A	B	C	D	ENG. NO. GS1 PLATING	ENG. NO. GS2 PLATING	ENG. NO. GS3 PLATING	ENG. NO. PRE TIN	NO.OF CKTS.



RECOMMENDED P.C.B. HOLE PATTERN.

NOTES

1. MATERIAL

HEADER : GLASS FILLED POLYESTER (UL 94V0), COLOUR - BLACK.
PINS : BRASS SIZE \square (0.635)/.025 .

2. COLOUR IDENTIFICATION MARK FOR PLATING OPTIONS.

90571-2**1, (1um)/39uin MIN. NICKEL UNDERPLATE. CONTACT AREA
GS1 PLATING (0.1um)/4uin MIN. GOLD. SOLDER AREA (3um)/118uin MIN.
TIN. COLOUR MARK: YELLOW.

90571-2**2, (1um)/39uin MIN. NICKEL UNDERPLATE. CONTACT AREA
GS2 PLATING (0.76um)/30uin MIN. GOLD. SOLDER AREA (3um)/118uin MIN.
TIN. COLOUR MARK: BROWN.

90571-2**3, (1um)/39uin MIN. NICKEL UNDERPLATE. CONTACT AREA
GS3 PLATING (0.25um)/10uin MIN. GOLD. SOLDER AREA (3um)/118uin MIN.
TIN. COLOUR MARK: BLUE.

90571-2**9, (0.5-1um)/20-40uin NICKEL UNDER (1.0-3.0um)/39-118uin TIN.
PRE-TIN COLOUR MARK: BLACK, (NO MARK).

3. RECOMMENDED PCB THICKNESS 1.6mm

CHANGED GEN TOL EC NO: E2008-0461 DRWN: NIK/ERNAN 2008/03/05 CHKD: 2008/03/06 APPR: BMAGUIRE 2008/03/06	QUALITY SYMBOLS = =	GENERAL TOLERANCES (UNLESS SPECIFIED)		DIMENSION STYLE IN/MM	SCALE 2:1	DESIGN UNITS INCH	THIRD ANGLE PROJECTION		
		4 PLACES \pm --- \pm	mm INCH	DRAWN BY SM	DATE 3/8/90	QIK FLECS HEADER FOR IMPROVED WIPE FEMALE			
		3 PLACES \pm \pm		CHECKED BY	DATE				
		2 PLACES ± 0.15 $\pm .005$		APPROVED BY	DATE	MOLEX INCORPORATED			
1 PLACE ± 0.20 $\pm .008$	ANGULAR $\pm 1/2^\circ$	MATERIAL NO. SEE CHART	DOCUMENT NO. SDA-90571	SHEET NO. 4 OF 4					
DRAFT WHERE APPLICABLE MUST REMAIN WITHIN DIMENSIONS		SIZE A3		THIS DRAWING CONTAINS INFORMATION THAT IS PROPRIETARY TO MOLEX INCORPORATED AND SHOULD NOT BE USED WITHOUT WRITTEN PERMISSION					