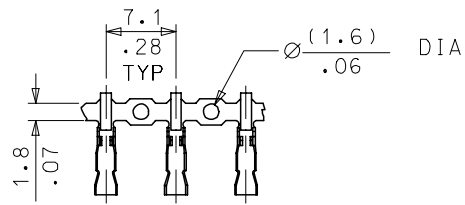
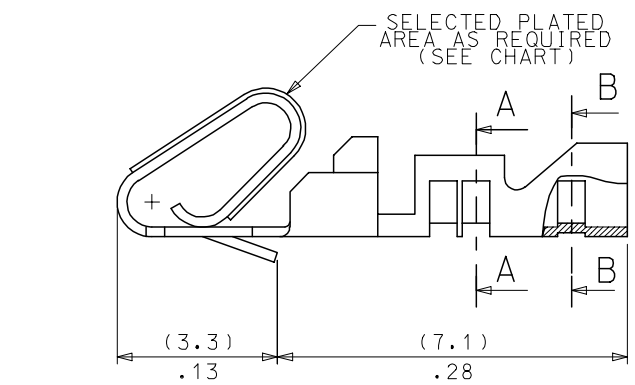
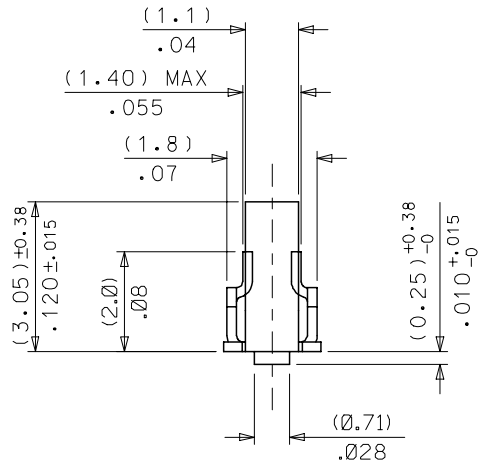
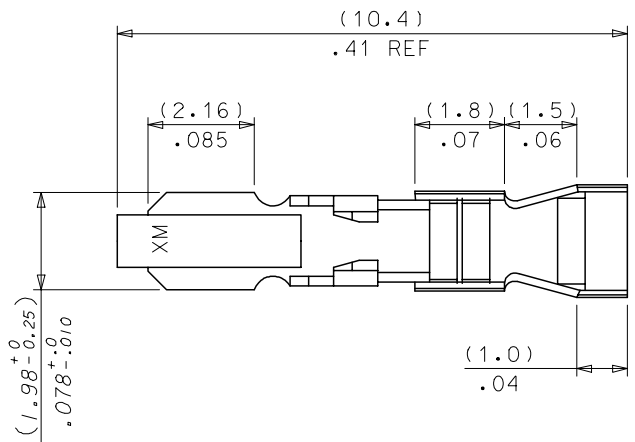


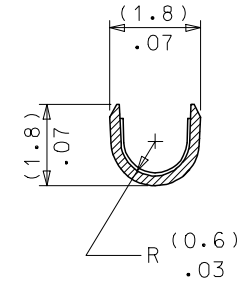
10 9 8 7 6 5 4 3 2 1



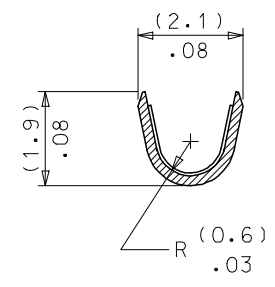
CARRIER VIEW  
SCALE 2:1



PART No.	ENG No.	FORM	FINISH
97-00-0225	8088-(999)	CHAIN	UNPLATED
97-00-0226	8088-(999)L	LOOSE	
97-00-0227	8088-(102)	CHAIN	(102) POST PLATED .00020 MIN ELECTRO TIN OVER .00010 MIN COPPER PLATE
97-00-0228	8088-(102)L	LOOSE	
08-65-0105	8088-(555)	CHAIN	.000025/.000015 GOLD IN CONTACT AREA OVER .00004/.00003 NICKEL OVERALL PER ENG STD SD-88-555.
08-65-0106	8088-(555)L	LOOSE	
N.T.	8088-(501)	CHAIN	.000030/.000020 GOLD OVER .000040/.000030 NICKEL PER ENG STD SD-88-501
N.T.	8088-(501)L	LOOSE	
08-52-0103	8088-(P902)	CHAIN	HOT TIN DIP (1.0-2.5um) .000040/.00010
08-52-0104	8088-(P902)L	LOOSE	



A-A



B-B

- NOTES:
1. FOR 22-30 AWG WIRE; .062 DIA. MAX INSULATION
  2. TERMINAL MUST MEET BEND SPECS ON ENG. STD. 219
  3. THIS PART CONFORMS TO MOLEX PRODUCT SPEC.99020-0088
  4. MATERIAL; (0.20)/.008 THICK PHOS BRONZE ALLOYI

ADDED DIMENSION EC NO: E2007-0218 DRWN: JDENNEHY 2006/09/15 CHKD:DMOR IARTY 2006/09/15 APPR: JDENNEHY 2006/10/11	QUALITY SYMBOLS ▽=0 ▽=0	GENERAL TOLERANCES (UNLESS SPECIFIED) mm INCH 4 PLACES ± --- ± --- 3 PLACES ± --- ± .010 2 PLACES ± 0.25 ± .020 1 PLACE ± 0.51 ± --- ANGULAR ±1/2°	DIMENSION STYLE MM ONLY	SCALE 10:1	DESIGN UNITS METRIC	THIRD ANGLE PROJECTION	
	DRAWN BY T. MAHON	DATE 1998/10/26	TITLE ANTI-FISH HOOKING TERMINAL KK .100 INTERLEAF DIE				
	CHECKED BY DMOR IARTY	DATE 2006/09/14	APPROVED BY JDENNEHY				
	DATE 2006/09/14	MATERIAL NO. SEE CHART	DOCUMENT NO. SD-8088-***	SHEET NO. 1 OF 1			

DRAFT WHERE APPLICABLE MUST REMAIN WITHIN DIMENSIONS

THIS DRAWING CONTAINS INFORMATION THAT IS PROPRIETARY TO MOLEX INCORPORATED AND SHOULD NOT BE USED WITHOUT WRITTEN PERMISSION

9 8 7 6 5 4 3 2 1