

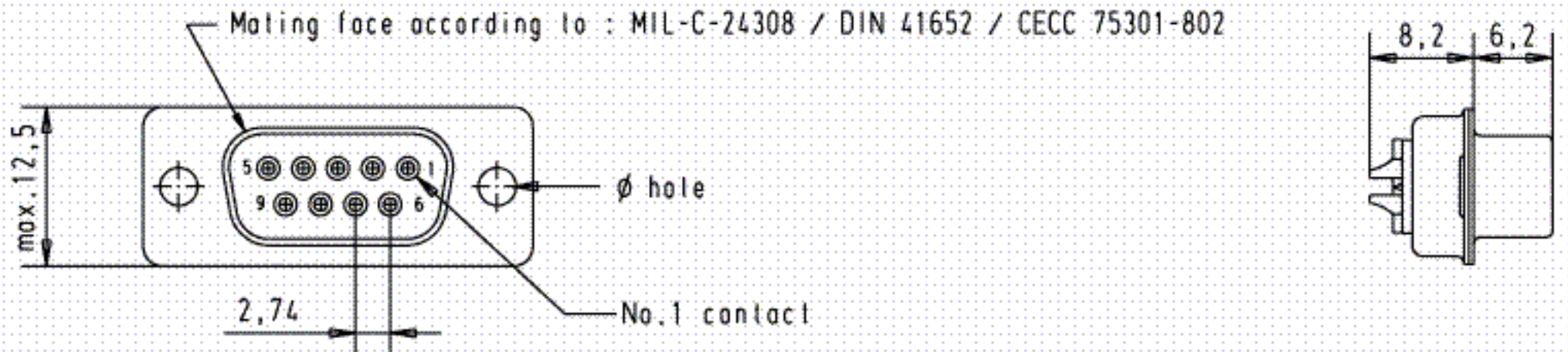
5

4

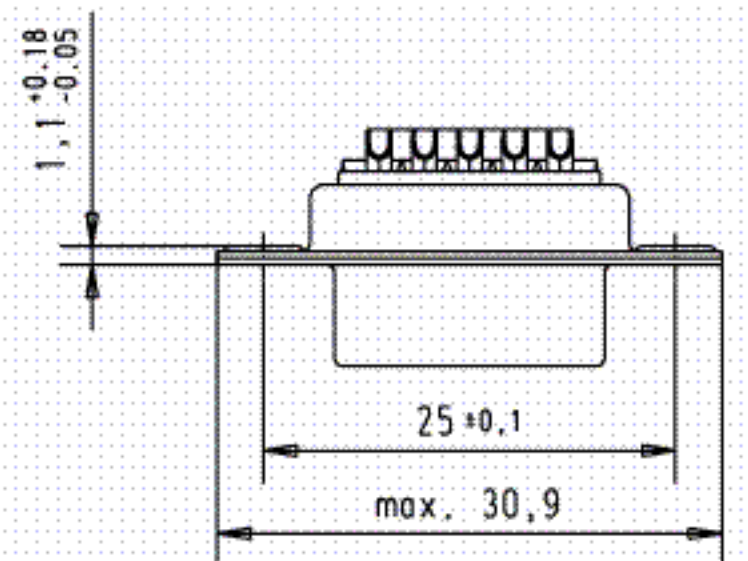
3



2

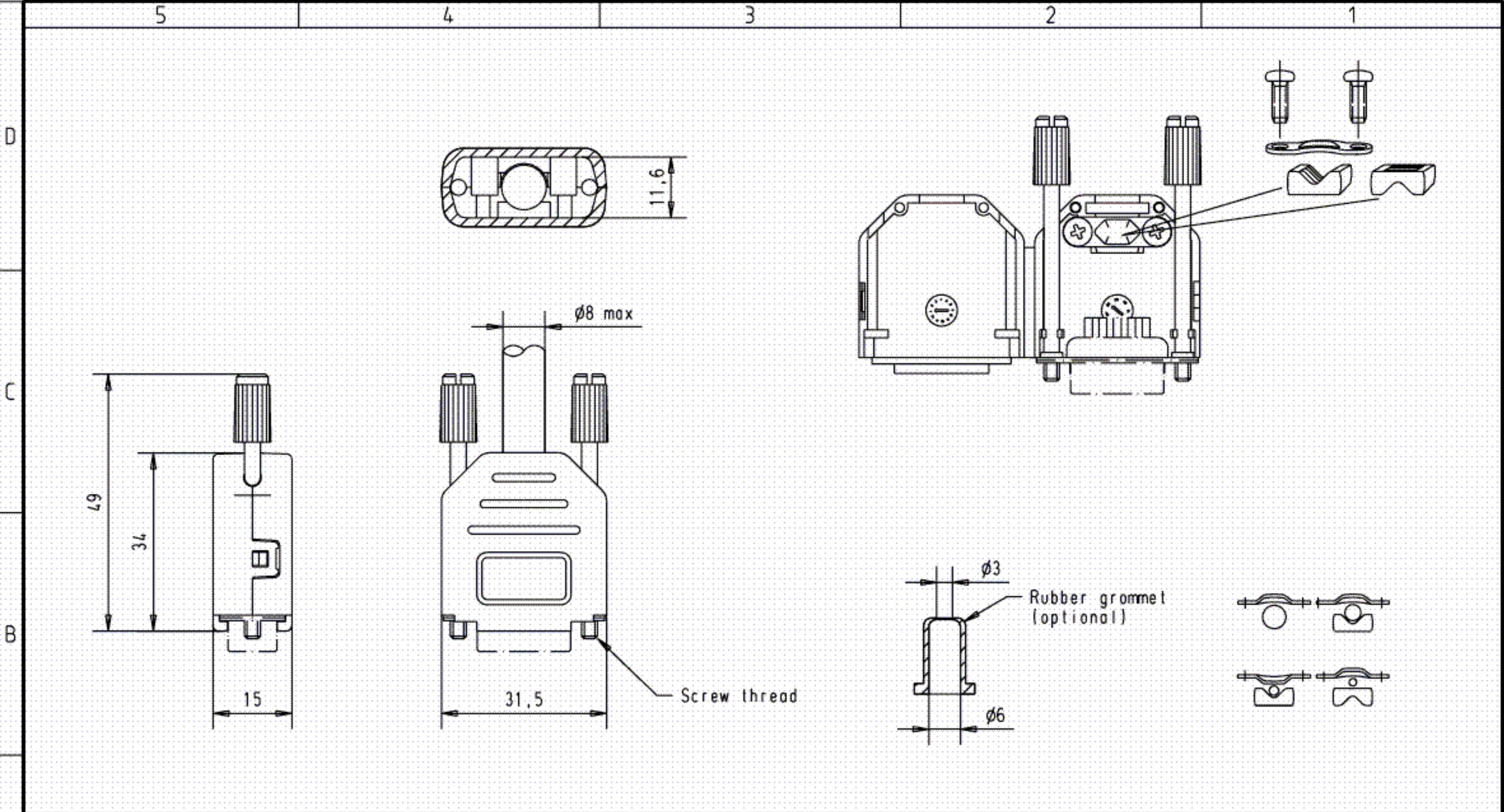
1



Max wire ϕ 1,05 mm



							Dat.		Name	 All Dim. in mm Orig. Size DIN A 4		D-Sub, Female, Straight 09 Poles with stamped solder buckets and hole		Maßstab/ Scale 1.5:1	
A							Detail.	24-APR-02	CV			Inspection		1	
09 67 209 4715.05	3,1 ^{+0.1}	S4													
09 67 209 4715.00	3,1 ^{+0.1}	2													
09 67 209 4704.00	3,1 ^{+0.1}	3													
Part number	ϕ hole	Performance level	Mod.	Dat.	Name	29777		24-APR-02	CV	HARTING EURL F-95972 Paris		 TB 096720947xx Sub.		Blatt/ Page 1 / 1	



												D-Sub, Top entry hood with knurled screws 9 poles Thermoplastic block	Maßstab/ Scale 1:1
										All Dim. in mm Orig. Size DIN A 4			
09 67 009 0426		M3		31085		4-SEP-02		CV				TB 0967009042x	Blatt / Page 1 /
09 67 009 0424		4-40 UNC		29760		28-MAR-02		CV					
Part number		Screw thread		Mod.		Dat.		Name		HARTING EURL F-95972 Paris		Sub.	