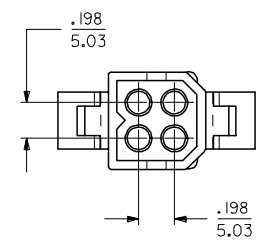
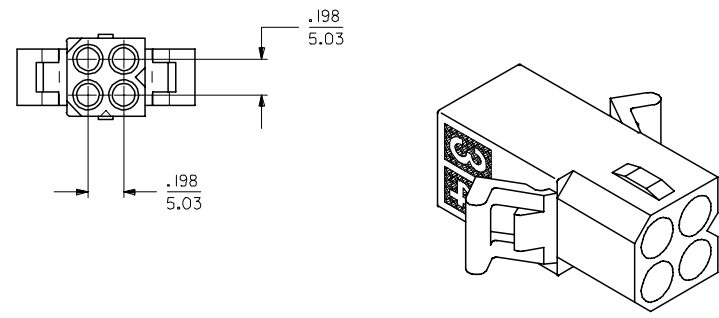
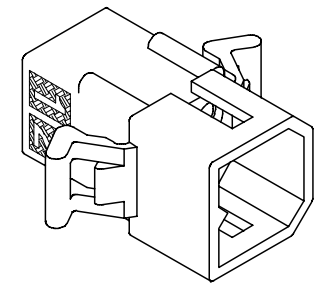
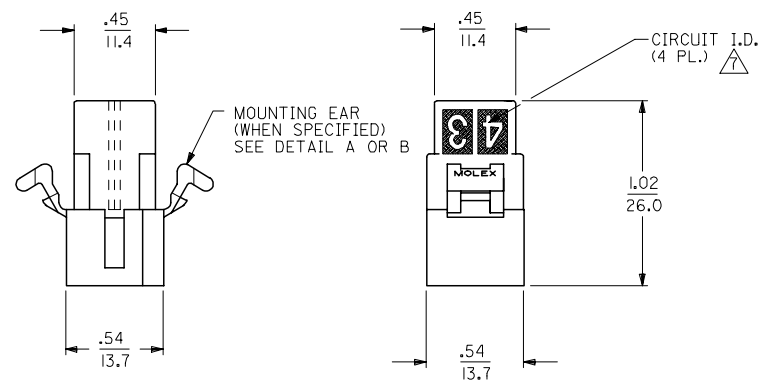
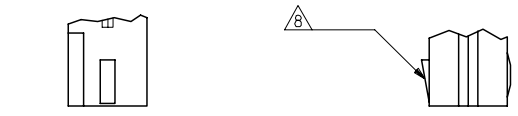
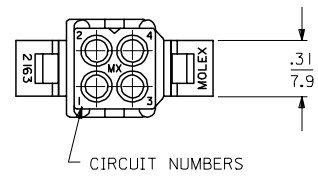
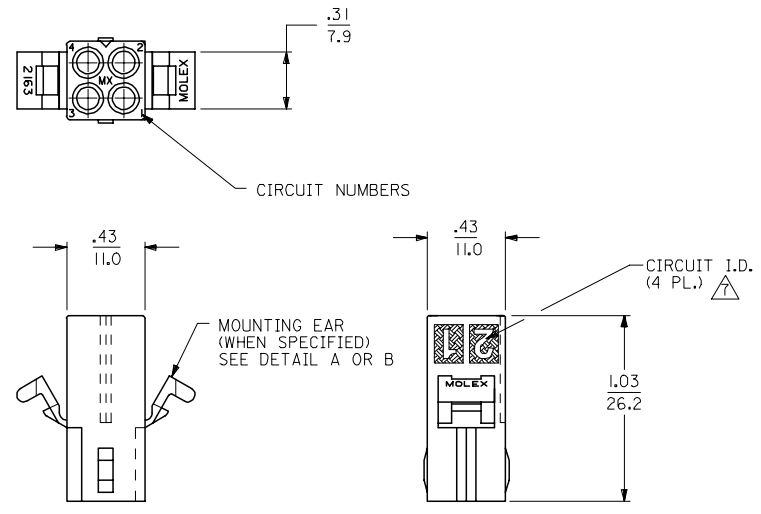


13 12 11 10 9 8 7 6 5 4 3 2 1

RECEPTACLE

PLUG



SHOWN WITH PREBENT MOUNTING EAR

2	I2
1	I2
SHT.	REV.

UPDATE NOTE 4 EC NO: UCP2007-0023 DRAWN/PRI/DOR 2006/07/27 CHKD: AEL/HAG 2006/08/01 APPR: FSM/TH 2006/08/02	QUALITY SYMBOLS 	GENERAL TOLERANCES (UNLESS SPECIFIED)		DIMENSION STYLE IN/MM	SCALE 2:1	DESIGN UNITS INCH	THIRD ANGLE PROJECTION														
		<table border="1"> <thead> <tr> <th></th> <th>mm</th> <th>INCH</th> </tr> </thead> <tbody> <tr> <td>4 PLACES</td> <td>± .010</td> <td>± .0004</td> </tr> <tr> <td>3 PLACES</td> <td>± .010</td> <td>± .0004</td> </tr> <tr> <td>2 PLACES</td> <td>± 0.25</td> <td>± .010</td> </tr> <tr> <td>1 PLACE</td> <td>± 0.35</td> <td>± .014</td> </tr> <tr> <td colspan="3">ANGULAR ± .0001</td> </tr> </tbody> </table>		mm	INCH	4 PLACES	± .010	± .0004	3 PLACES	± .010	± .0004	2 PLACES	± 0.25	± .010	1 PLACE	± 0.35	± .014	ANGULAR ± .0001			DRAWN BY KBW
	mm	INCH																			
4 PLACES	± .010	± .0004																			
3 PLACES	± .010	± .0004																			
2 PLACES	± 0.25	± .010																			
1 PLACE	± 0.35	± .014																			
ANGULAR ± .0001																					
DRAFT WHERE APPLICABLE MUST REMAIN WITHIN DIMENSIONS		APPROVED BY RAS	DATE 02/03/89	MATERIAL NO. SEE CHART	DOCUMENT NO. SD-2163-*	SHEET NO. 1 OF 2	MOLEX INCORPORATED														

12 11 10 9 8 7 6 5 4 3 2 1

13 12 11 10 9 8 7 6 5 4 3 2 1

PLUG	
ORDER NO	ENG NO
03-09-2040	2163-P
03-09-2049	2163-P1
50-29-0097	2163-PIUV

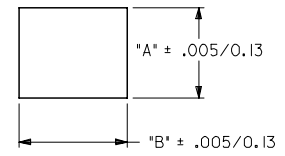
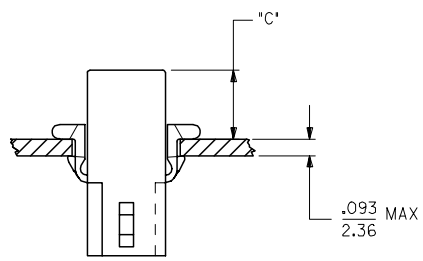
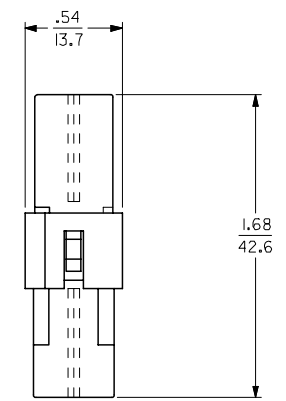
RECEPTACLE	
ORDER NO	ENG NO
03-09-1040	2163-R
03-09-1049	2163-R1
03-09-6049	2163-RIBK
50-29-0098	2163-RIUV

LEGEND:

2163-****
 P = PLUG
 R = RECEPTACLE

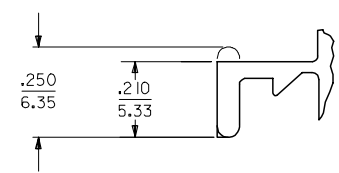
- BLANK = WITH STANDARD EARS
 1 = WITHOUT EARS
 2 = WITH PREBENT EARS
 3 = RECEPTACLE W/ POSITIVE LOCK RAMP, WITHOUT EARS.
 4 = RECEPTACLE W/ POSITIVE LOCK RAMP, WITH STANDARD EARS.

COLOR:
 BLANK = NATURAL COLOR
 AM = AMBER BK = BLACK BU = BLUE
 BN = BROWN GY = GRAY GN = GREEN
 OR = ORANGE RD = RED YW = YELLOW
 UV = BLACK UV RESISTANT

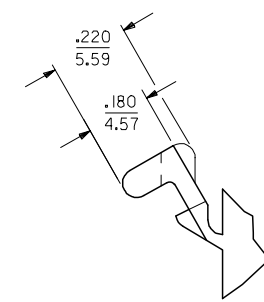


RECOMMENDED PANEL OPENING

HOUSING	DIM. "A"	DIM. "B"	"C" PREBENT EAR	"C" STANDARD EAR
PLUG	.555/14.10	.695/17.65	.42/10.7	.38/9.7
RECEPT.	.500/12.70	.600/15.24	.40/10.2	.37/9.4



DETAIL A
 .093/(2.36) STANDARD MOUNTING EAR
 (SCALE 4:1)



DETAIL B
 .093/(2.36) PREBENT MOUNTING EAR
 (SCALE 4:1)

NOTES:

- MATERIAL: NYLON 6/6 (PA), UL 94V-2.
- FINISH: NONE.
- PRODUCT SPECIFICATION: PS-02-09 APPLIES.
- PARTS TO BE PACKAGED PER PK-2163-001
- MATES WITH: SERIES 2163.
- ACCEPTS MOLEX .093 SERIES TERMINALS.
- CIRCUIT I.D. NUMBERS ON HOUSING APPEAR ON PARTS FROM TOOLS BUILT AFTER 7/22/91.
- POSITIVE LOCK VERSION REQUIRES USE OF A SCREWDRIVER OR SIMILAR TOOL TO LIFT SHROUD ON PLUG HOUSING IN ORDER TO UNMATE RECEPTACLE HOUSING.

UPDATE NOTE 4 FC NO: UCP2007-0023 DRAWN BY: DER 2006/07/27 CHKD: AELHAG 2006/08/01 APPR: FSM TH 2006/08/02	QUALITY SYMBOLS = 0 = 0	GENERAL TOLERANCES (UNLESS SPECIFIED)		DIMENSION STYLE IN/MM		SCALE 2:1	DESIGN UNITS INCH	THIRD ANGLE PROJECTION	
		4 PLACES ± --- ± ---	mm INCH	DRAWN BY KBW	DATE 02/03/89	TITLE .093/(2.36) HOUSINGS PLUG & RECEPTACLE 4 CKT., .198/(5.03) CL			
		3 PLACES ± --- ± .010		CHECKED BY RW	DATE 02/03/89	MATERIAL NO. RAS			
		2 PLACES ± 0.25 ± .014 1 PLACE ± 0.35 ± --- ANGULAR ± --- °		APPROVED BY RAS	DATE 02/03/89	MOLEX INCORPORATED DOCUMENT NO. SD-2163-*			
DRAFT WHERE APPLICABLE MUST REMAIN WITHIN DIMENSIONS		SEE CHART		SHEET NO. 2 OF 2		THIS DRAWING CONTAINS INFORMATION THAT IS PROPRIETARY TO MOLEX INCORPORATED AND SHOULD NOT BE USED WITHOUT WRITTEN PERMISSION			

12 11 10 9 8 7 6 5 4 3 2 1