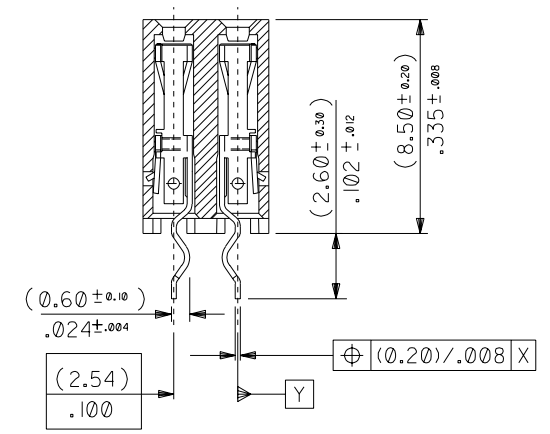
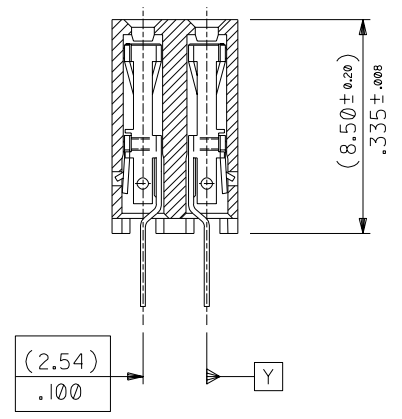
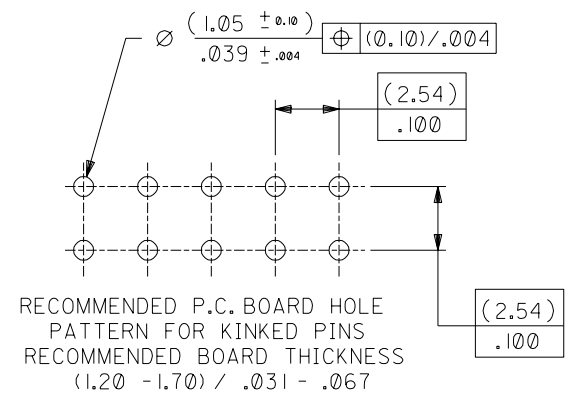
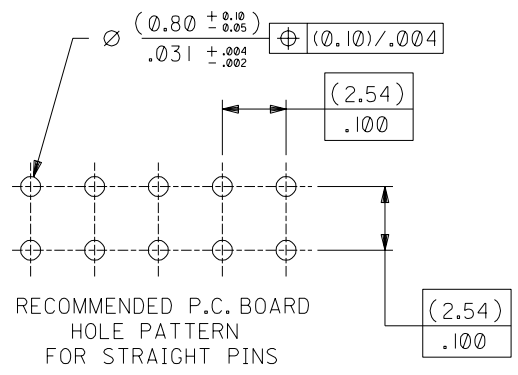
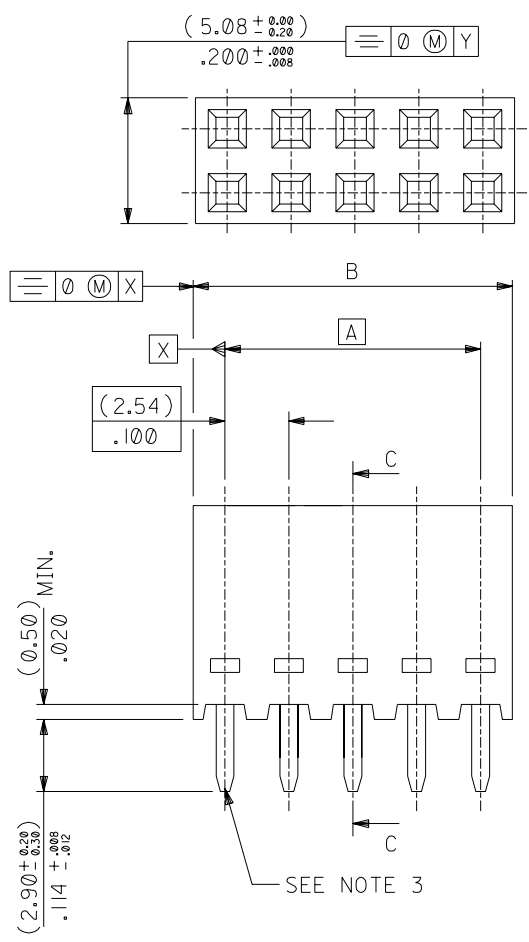


PART NO. SEE CHART
 DWG. NO. SDA-90151



NOTES

- 1) CONTACT-PLATED PHOSPHOR BRONZE.
- 2) HOUSING-15% GLASS FILLED POLYESTER. COLOUR-BLACK.
- 3) COMPATIBLE WITH PCB HOLE PATTERN.
- 4) FOR (0.635)/.025 SQ. MALE PINS THE LENGTH MUST BE (5.65)/.222 MIN & (7.00)/.276 MAX. TO ENSURE GOOD CONNECTION WITH CONTACT.

FOR PREVIOUS DRAWING ISSUES SEE MRI.

MOD. TUBE QUANTITIES E2003-0061	TM 02/11/10	THIRD ANGLE PROJECTION		REVISE ONLY ON CAD SYSTEM	
		DIMENSIONS SHOWN (METRIC) INCH UNLESS OTHERWISE SPECIFIED TOLERANCES: ANGULAR ± 2°		CADCAM FILENAME SA90151X1 DGN	THIS DRAWING CONTAINS INFORMATION THAT IS PROPRIETARY TO MOLEX INC. & SHOULD NOT BE USED WITHOUT WRITTEN PERMISSION
AG	LTR	INCH (METRIC)		TITLE	
		3 PLACE ± . ---	± ---	C-GRID III DUAL ROW VERTICAL P.C. BOARD CONNECTOR	
DRAFT WHERE APPLICABLE MUST REMAIN WITHIN DIMENSIONS		DRWG BY DB	CHK'D BY	SHEET NO. DATE	
DESIGN DIMENSION <input checked="" type="checkbox"/> (MM) (PRIMARY) <input type="checkbox"/> IN.		APP'D BY	SCALE	10F6 14/ 7/87	
EQUIVALENT DIMENSION <input type="checkbox"/> (MM) (SECONDARY) <input checked="" type="checkbox"/> IN.		5:1	PART NO. SEE CHART	DWG NO. SDA-90151	SIZE B

6	AF
5	AD
4	AD
3	AD
2	AG
1	AG
SH.	REV.

10 9 8 7 6 5 4 3 2 1

SEE CHART
PART NO. SDA-90151
DWG. NO.

PART NO. STRAIGHT PINS	PART NO. KINKED PINS	NO. OF CKTS.	DIM. " A"	DIM. " B" (+0.00) (-0.30)	QTY. PER TUBE
90151-2X04	90151-3X04	4	(2.54) .100	(5.08) .200	105
▲ ▲ 06	▲ ▲ 06	6	(5.08) .200	(7.62) .300	72
		8	(7.62) .300	(10.16) .400	52
		10	(10.16) .400	(12.70) .500	44
		12	(12.70) .500	(15.24) .600	36
		14	(15.24) .600	(17.78) .700	30
		16	(17.78) .700	(20.32) .800	26
		18	(20.32) .800	(22.86) .900	24
		20	(22.86) .900	(25.40) 1.000	22
		22	(25.40) 1.000	(27.94) 1.100	20
		24	(27.94) 1.100	(30.48) 1.200	18
		26	(30.48) 1.200	(33.02) 1.300	16
		28	(33.02) 1.300	(35.56) 1.400	14
		30	(35.56) 1.400	(38.10) 1.500	14
		32	(38.10) 1.500	(40.64) 1.600	13
		34	(40.64) 1.600	(43.18) 1.700	12
		36	(43.18) 1.700	(45.72) 1.800	12
		38	(45.72) 1.800	(48.26) 1.900	11
		40	(48.26) 1.900	(50.80) 2.000	11
		42	(50.80) 2.000	(53.34) 2.100	11
		44	(53.34) 2.100	(55.88) 2.200	10
		46	(55.88) 2.200	(58.42) 2.300	10
		48	(58.42) 2.300	(60.96) 2.400	9
		50	(60.96) 2.400	(63.50) 2.500	8
		52	(63.50) 2.500	(66.04) 2.600	8
		54	(66.04) 2.600	(68.58) 2.700	8
		56	(68.58) 2.700	(71.12) 2.800	7
		58	(71.12) 2.800	(73.66) 2.900	7
		60	(73.66) 2.900	(76.20) 3.000	7
▼ ▼ 62	▼ ▼ 62	62	(76.20) 3.000	(78.74) 3.100	7
90151-2X64	90151-3X64	64	(78.74) 3.100	(81.28) 3.200	6

PLATING VERSION A
PRE-PLATED HOT DIP TIN
1.0 TO 2.5 um (.000040" TO .000100").

PLATING VERSION E
1.27 TO 1.78 um (.000050" TO .000070") NICKEL
OVERALL, 0.38 TO 0.64 um (.000015" TO .000025")
GOLD ON CONTACT AREA (OVER NICKEL).
3 TO 5 um (.000120" TO .000200") TIN
ON SOLDER TAILS (OVER NICKEL).

PLATING VERSION F.
1.27 TO 1.78 um (.000050" TO .000070") NICKEL
OVERALL, 0.76 TO 1.0 um (.000030" TO .000040")
GOLD ON CONTACT AREA (OVER NICKEL).
3 TO 5 um (.000120" TO .000200") TIN
ON SOLDER TAILS (OVER NICKEL).

PLATING VERSION G.
1.27 TO 1.78 um (.000050" TO .000070") NICKEL
OVERALL, 0.125 um MIN. (.000005" MIN.) GOLD FLASH
ON CONTACT AREA (OVER NICKEL).
3 TO 5 um (.000120" TO .000200") TIN
ON SOLDER TAILS (OVER NICKEL).

PLATING VERSION N.
1.27 TO 1.78 um (.000050" TO .000070") NICKEL
OVERALL, 0.76 TO 2.6 um (.000030" TO .000100")
GOLD ON CONTACT AREA (OVER NICKEL).
4 um (.000120") MINIMUM TIN
ON SOLDER TAILS (OVER NICKEL).

STANDARD PRODUCTS

90151-XXYY

INDICATES NO. OF CIRCUITS.

- PLATING CODE.
1 = VERSION A.
2 = VERSION E.
3 = VERSION F.
4 = VERSION N.
5 = VERSION G.

SEE CHART

FOR PREVIOUS
DRAWING ISSUES
SEE MRI.

LEAD FREE CONVERSION
LEAD FREE ORDER NUMBER ADDED
EC NO. E2004-0610
DRAWN: PSHEAHAN 06/01/2004
CHK:
APPR:
AH

DESCRIPTION
MAJOR
CRITICAL
REV

QUALITY SYMBOLS
GENERAL TOLERANCES:
(UNLESS SPECIFIED)
4 PLACES ±0. mm ±. INCH
3 PLACES ±0. mm ±. INCH
2 PLACES ±0. mm ±. INCH
1 PLACE ±0. mm ±. INCH
ANGULAR: ± °
DRAFT WHERE APPLICABLE MUST
REMAIN WITHIN DIMENSIONS

SCALE
DESIGN UNITS
 mm INCH
DRAWN BY & DATE
DB 14/ 7/87
CHECKED BY & DATE
APPROVED BY & DATE
CAD FILENAME SA9015IX2
DGN

THIRD ANGLE
PROJECTION
DIMENSIONS:
 mm INCH mm ONLY
TITLE:
C-GRID III
DUAL ROW VERTICAL
P.C. BOARD CONNECTOR
Molex
MOLEX INCORPORATED
MATERIAL NO.
SEE CHART
DRAWING NO.
SDA-90151
SHEET NO.
20F

SHT REV
REVISE ON
CAD ONLY
THIS DRAWING CONTAINS INFORMATION THAT IS PROPRIETARY TO MOLEX
INCORPORATED AND SHOULD NOT BE USED WITHOUT WRITTEN PERMISSION.
SIZE
B

7132-1283 10 9 8 7 6 5 4 3 2 1