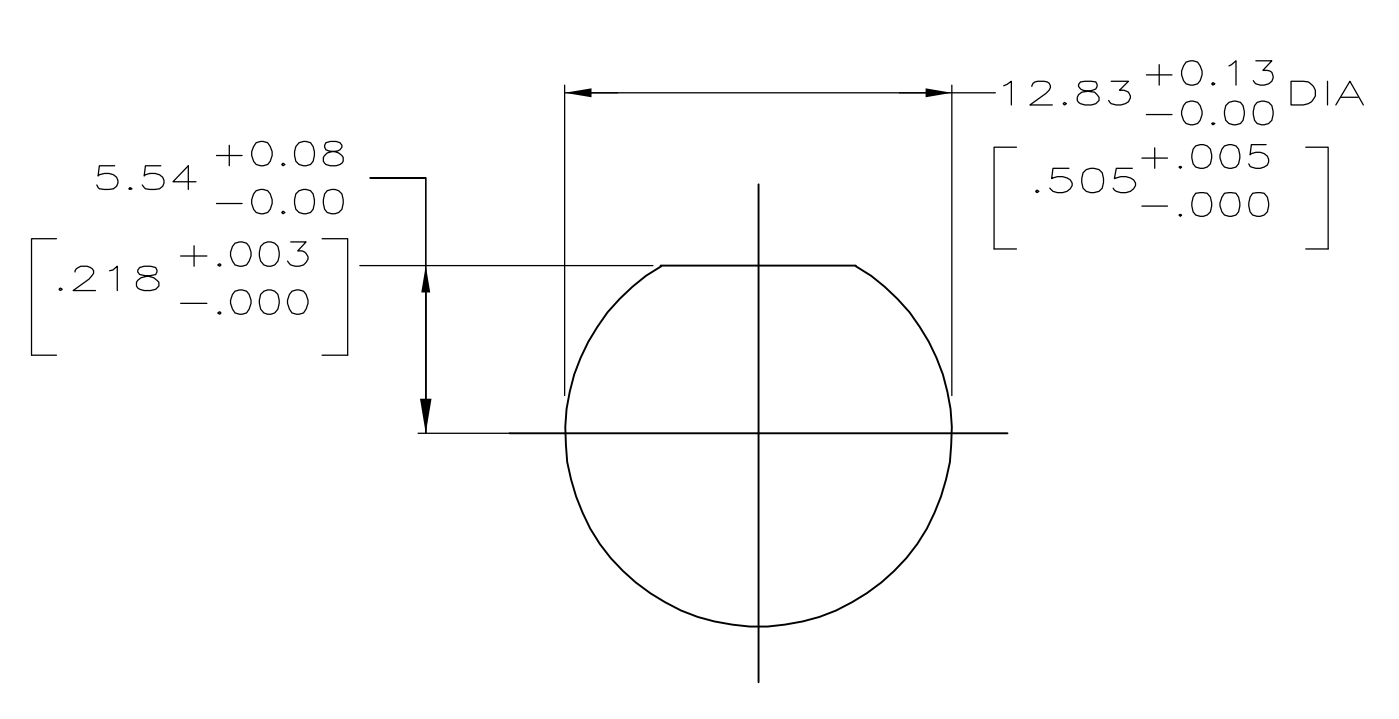
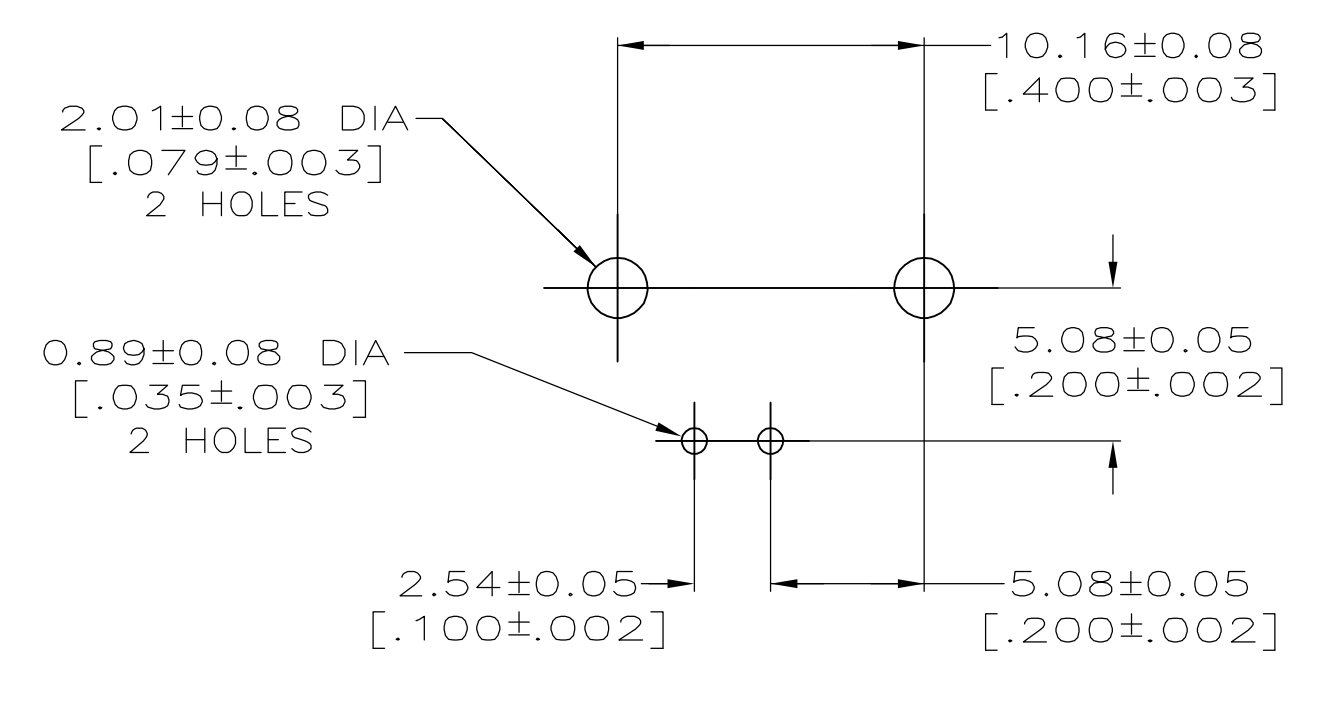


- 1 ZINC PER QQ-Z-363.
- 2 POLYMETHYLPENTENE, GENERAL PURPOSE.
- 3 BERYLLIUM COPPER PER QQ-C-530.
- 4 BRASS PER ASTM-B-453.
- 5 BRASS PER ASTM-B-16.
- 6 NICKEL PLATE PER QQ-N-290, 3.81 μm [.000150] MINIMUM THICK.
- 7 TIN PLATE PER ASTM-B-545, 3.81 μm [.000150] MINIMUM THICK.
- 8 GOLD PLATE PER ASTM-B-488, 0.76 μm [.000030] MINIMUM THICK.
- 9. SEE INSTRUCTION SHEET 408-2769.



RECOMMENDED PANEL CUTOUT



PCB CONFIGURATION

2.03±0.13 [.080±.005]	2.29±0.13 [.090±.005]	5414907-3
2.03±0.13 [.080±.005]	2.79±0.25 [.110±.010]	5414907-2
3.48±0.25 [.137±.010]	4.11±0.43 [.162±.017]	5414907-1
B	A	PART NUMBER

THIS DRAWING IS A CONTROLLED DOCUMENT.		DWN J. ALCORTA - 26APR2005		Tyco Electronics Corporation
		CHK J. HAVENER - 26APR2005		Harrisburg, PA 17105-3608
DIMENSIONS: mm [INCHES]	TOLERANCES UNLESS OTHERWISE SPECIFIED:	APPD J. LIPPERT - 26APR2005	NAME	JACK, RIGHT ANGLE, 75 OHM, LOW PROFILE, PCB, BNC
0 PLC ± -	1 PLC ± -	PRODUCT SPEC	SIZE	A1
2 PLC ± 0.20 [.008]	3 PLC ± -	APPLICATION SPEC	CAGE CODE	00779
4 PLC ± -	ANGLES ± -	FINISH	DRAWING NO	5414907
MATERIAL SEE NOTES 1 - 5	FINISH SEE NOTES 6 - 8	RESTRICTED TO	WEIGHT	-
CUSTOMER DRAWING		SCALE	5:1	SHEET 1 OF 1