

DC FAN



Standard Fan San Ace 40

Square type : 40mm

Thick : 28mm

PDF

The PDF file of this product
can be downloaded.

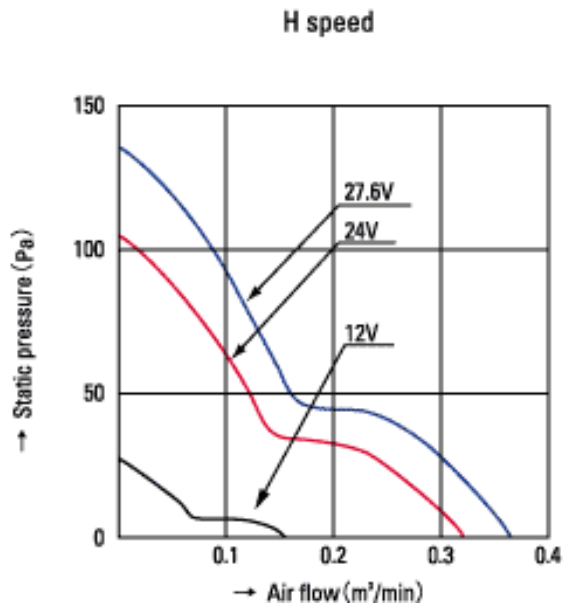
Features

Motor protection system	Current cut system (with reverse-connection protection)
Dielectric strength	50/60 Hz, 500VAC, 1 minute (between lead conductor and frame)
Operating thermally range	-10°C to +60°C (non-condensing)
Fan power lead	H,F,Gspeed, +red, -black Mspeed, +red, -blue

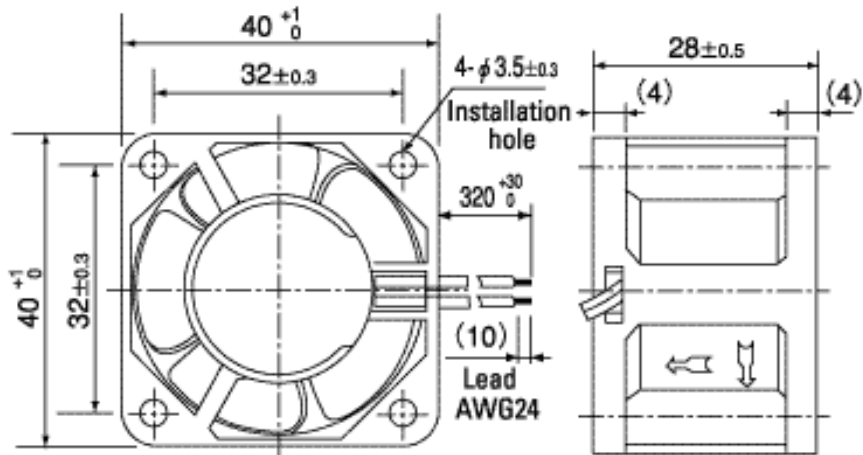
Specifications

Model No.	Rated Voltage (V)	Operating voltage range (V)	Rated current (A)	Rated input (W)	Rated rotating speed (min ⁻¹)	Air flow (m ³ /min)	Static pressure (Pa)	Noise (dB[A])	Mass (g)
109P0424H302	24	12-27.6	0.095	2.28	8700	0.32	103	37	52

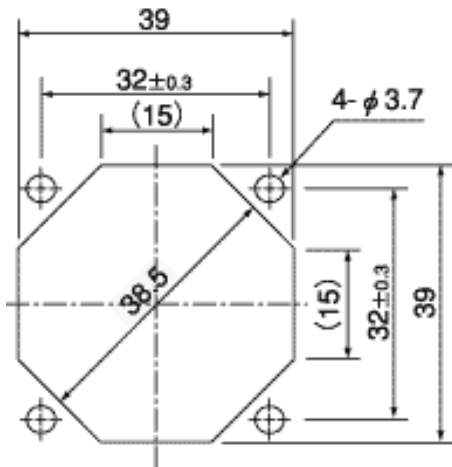
Typical air flow and static pressure characteristics



Dimensions (unit:mm)



Reference dimensional diagram for installation holes (unit:mm)



Corresponding accessories list

Finger guards
Square type

Adaptation machines-Frame size:40mm

Model No.	Surface Finishing	Adaptation machines
109-059	Nickel-chrome plating	San Ace 40

CLOSE