

DC FAN



Standard Fan San Ace 40
Square type : 40mm Thick : 28mm

PDF

The PDF file of this product
can be downloaded.

Most appropriate for 19-inch rack mount 1U(44.5mm) server.

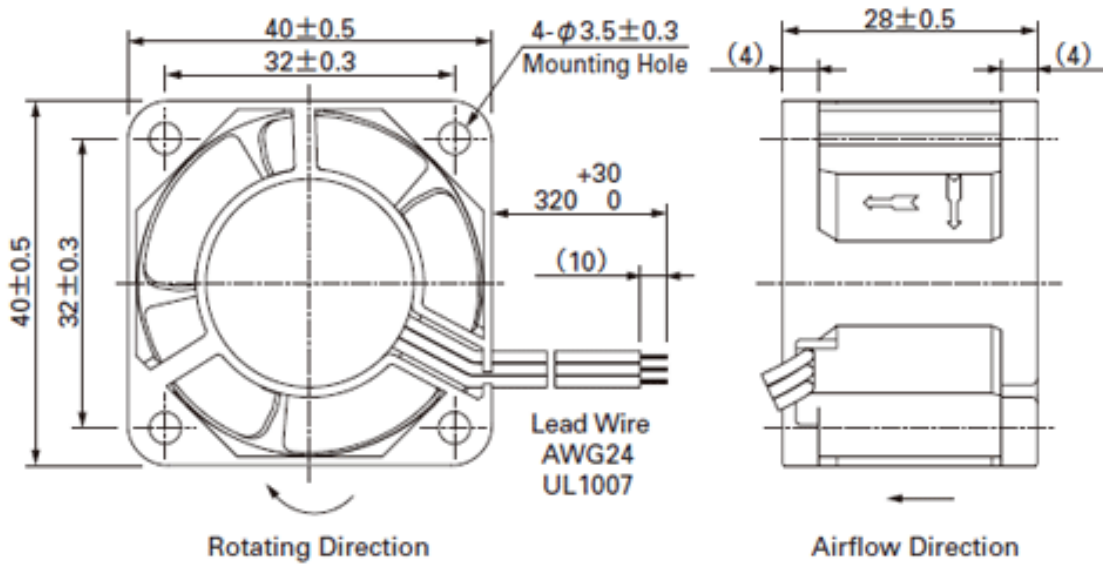
Features

Material	Frame: Plastics (Flammability: UL94V-0), Impeller: Plastics (Flammability: UL94V-1)
Life Expectancy	H(12V,24V),F , M speed, 60,000 hours H(5V),K,J,G , B speed, 40,000 hours (survival rate:90% at 60° C rated voltage,and continuously run in a free air state)
Motor Protection System	Current blocking function (with reverse polarity protection)
Dielectric Strength	50/60 Hz, 500VAC, 1 minute (between lead conductor and frame)
Insulation Resistance	10M Ω or more at 500VDC megger (between lead conductor and frame)
Noise Measurement Method	Measured at 1m from the air inlet
Storage Temperature	-30° C to +70° C
Operating Temperature	-10° C to +60° C(Non-condensing)
Lead Wire	(+): red (-): black or blue Sencer: yellow

Specifications

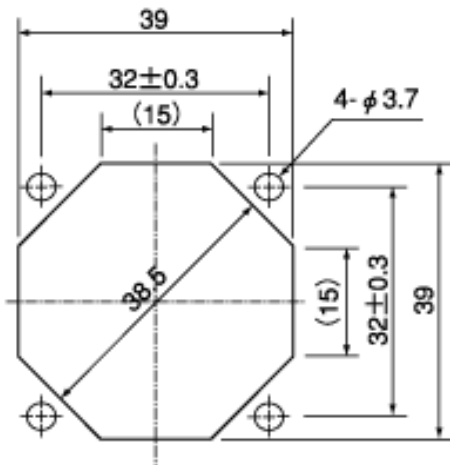
Model No.	Rated Voltage (V)	Operating voltage range (V)	Rated current (A)	Rated input (W)	Rated rotating speed (min ⁻¹)	Air flow (m ³ /min) (16.3CFM)	Static pressure (Pa) (0.843inchH2O)	Noise (dB[A])	Mass (g)
109P0424J3013	24	12to26.4	0.18	4.32	12,500	0.46 (16.3CFM)	210 (0.843inchH2O)	44	52

Dimensions (unit:mm)

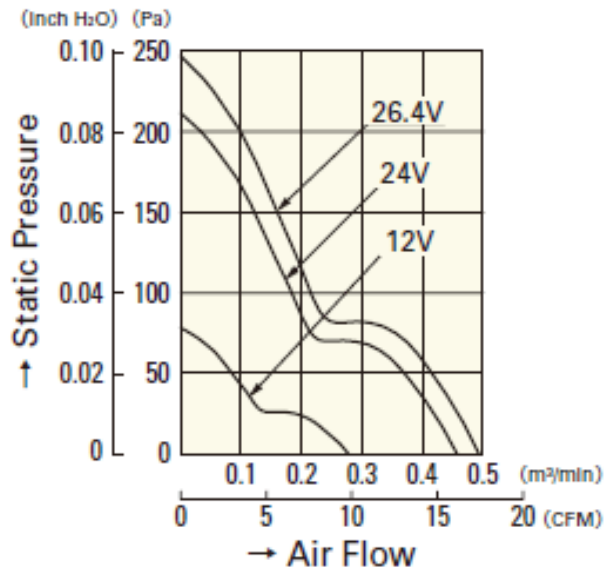


Reference dimensional diagram for installation holes (unit:mm)

Discharge side Suction side



Typical air flow and static pressure characteristics



CLOSE