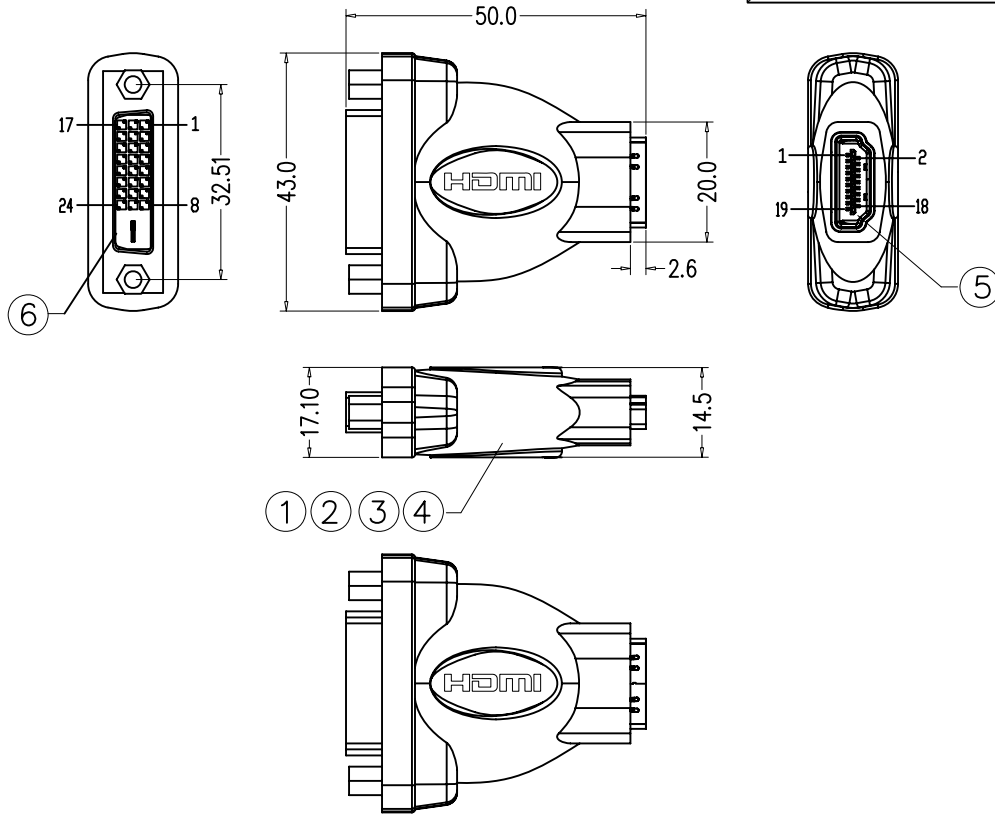


**RoHS Compliant**

REV	ZONE	LTR	DESCRIPTION	DATE	REVISER	APPD
6.0		△	CHANGE ORDERING INFORMATION	9/3/07	Mikey	

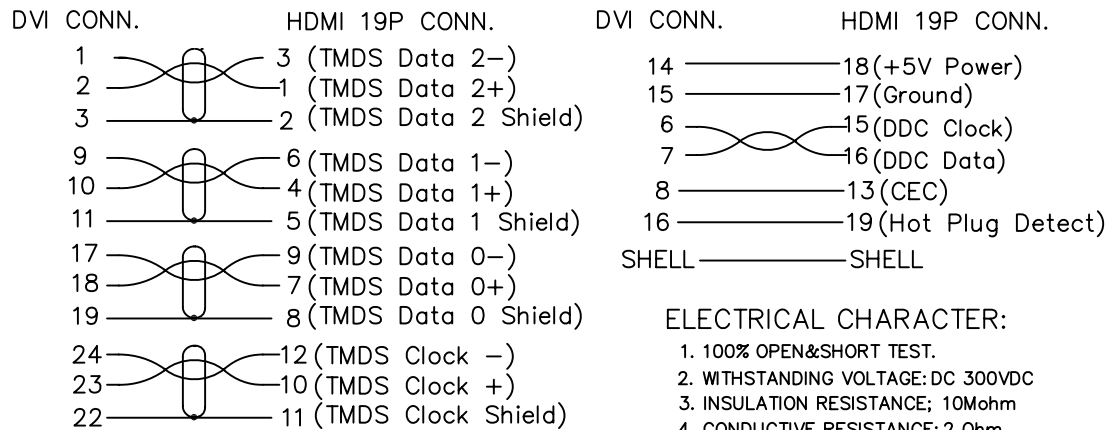


**ORDERING INFORMATION:**

19 01118 - \* \* \* - \*  
 (1) (2) (3)(4)(5) (6)

- (1) SERIES NUMBER:  
19 : Adapter Series
- (2) SEQUENCE NO.  
01118(EX. 01001-01999):HDMI(FEMALE) TO DVI(FEMALE) ADAPTER
- (3) OUTER MOLDING COLOR CODES:  
3 : BLACK 4 : WHITE 7 : RED 9 : YELLOW
- (4) PLATING OF CONTACT & SHELL :  
1 : CONTACT: HDMI 30u" & DVI: 15u"; SHELL: DVI AND HDMI BOTH PLATED GOLD  
2 : CONTACT: HDMI 30u" & DVI: 15u"; DVI AND HDMI BOTH PLATED NIKEL  
3 : CONTACT: HDMI 15u" & DVI: 15u"; SHELL: DVI AND HDMI BOTH PLATED GOLD  
4 : CONTACT: HDMI 15u" & DVI: 15u"; DVI AND HDMI BOTH PLATED NIKEL
- (5) DVI SPEC. :  
A: 24+1 DVI CONNECTOR
- (6) LOGO. :  
H: DOUBLE SIDE WITH "HDMI" LOGO  
N: WITHOUT LOGO  
S: SPECIAL LOGO

**PIN ASSIGNMENT:**



**ELECTRICAL CHARACTER:**

1. 100% OPEN&SHORT TEST.
2. WITHSTANDING VOLTAGE:DC 300VDC
3. INSULATION RESISTANCE; 10Mohm
4. CONDUCTIVE RESISTANCE: 2 Ohm

6	DVI CONN.	DVI 24+1 CONN. FEMALE FOR SOLDER TYPE CONTACT SELECTIVE PLATED GOLD (OPTIONAL)													
5	HDMI CONN.	HDMI CONN. 19P A TYPE FEMALE FOR SOLDER TYPE CONTACT SELECTIVE PLATED GOLD (OPTIONAL)													
4	OUTER MOLDING	PVC UL94V-0 (OPTIONAL)													
3	INNER MOLDING	PE LOW DENSITY													
2	WIRE	UL1007 28#(7C/0.127TS) BLACK OD:1.2MM													
1	CABLE	UL20276 28AWG*1PR+DRAIN WIRE+FREE EDGE AL/MYLAR*4+28AWG*1P+28AWG*5C+AL/MYLAR+ BRAID IMPEDANCE:100 Ohm													
ITEM	PART NAME	SPEC DESCRIPTION	REMARK												
INNERMOLD:		TOLERANCE UNSPECIFIED ± ± 0.38 ± 0.50 ANGLE ± 1°	<table border="1"> <tr> <td>SCALE</td> <td>NONE</td> <td>UNIT</td> <td>MM</td> </tr> </table>	SCALE	NONE	UNIT	MM								
SCALE	NONE	UNIT		MM											
M1AD019FON00		DRAWN Mikey													
OVERMOLD:		DESIGNER	<table border="1"> <tr> <td>NAME</td> <td>HDMI(FEMALE) TO DVI(FEMALE) ADAPTER</td> <td>SHEET</td> <td>1/1</td> </tr> <tr> <td>CHECKED</td> <td></td> <td>REV</td> <td>6.0</td> </tr> <tr> <td>APPROVED</td> <td></td> <td>DRAWING NO.</td> <td>1901118</td> </tr> </table>	NAME	HDMI(FEMALE) TO DVI(FEMALE) ADAPTER	SHEET	1/1	CHECKED		REV	6.0	APPROVED		DRAWING NO.	1901118
NAME	HDMI(FEMALE) TO DVI(FEMALE) ADAPTER	SHEET		1/1											
CHECKED		REV		6.0											
APPROVED		DRAWING NO.	1901118												
M2AD019FON00															