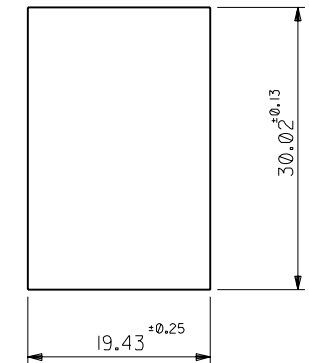
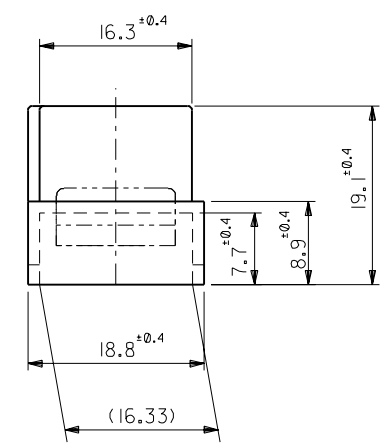
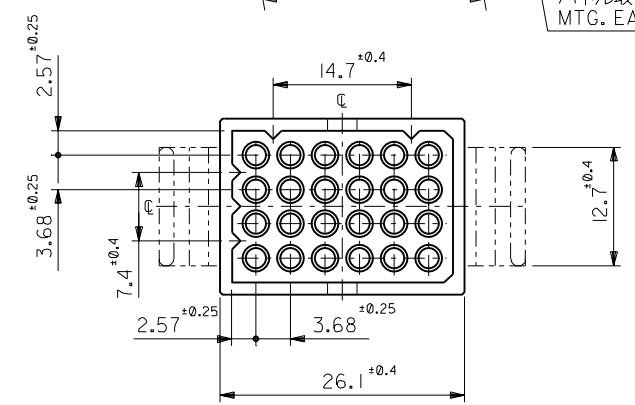


パネル取付耳 (表参照)
MTG. EARS(SEE CHART)



パネル取付穴寸法 (厚さ 1.52最大)
PANEL HOLE DIMENSION (THK. 1.52 MAX.)



注記
NOTES

- 材質: ZYTEL 101. (ナイロン66, 94V-2)
MATERIAL: ZYTEL 101.(NYLON66,94V-2)
- () 内寸法は参考値
DIMENSIONS IN () ARE REFERENCES

| | | |
|-----------|------------|-----------|
| 1625-24P1 | 03-06-2242 | 無 WITHOUT |
| 1625-24P | 03-06-2241 | 有 WITH |
| ENG. NO. | PART NO. | MTG. EARS |

| | |
|---------------------------------|-----------------------------------|
| 材料 MATERIAL | 図中参照 REFER TO DRAWING |
| 仕上げ FINISH | — |
| 適用電線範囲 WIRE RANGE | — |
| 被覆外径 INS. RANGE | — |
| DRAWN BY '96/07/10 H.IIJIMA | CHK'D BY '96/07/10 M.FUKUSHIMA |
| APP'D BY '96/07/10 M.ENOMOTO | 尺 度 SCALE 2 : 1 |
| 再作図 REDRAWN | DR. CHK. DATE |
| 変更内容 REVISION RECORD | 記号 LTR |
| 一般公差 GENERAL TOLERANCES | |

| | |
|--------------------------------------|-----|
| MOLEX-JAPAN CO.,LTD. 日本モレックス株式会社 | |
| REVISE ONLY ON CAD SYSTEM | |
| TITLE 名称 | |
| .062 DIA. 24 CIRCUIT PLUG HOUSING | |
| DWG. NO. | REV |
| SD-1625-24P* | A |