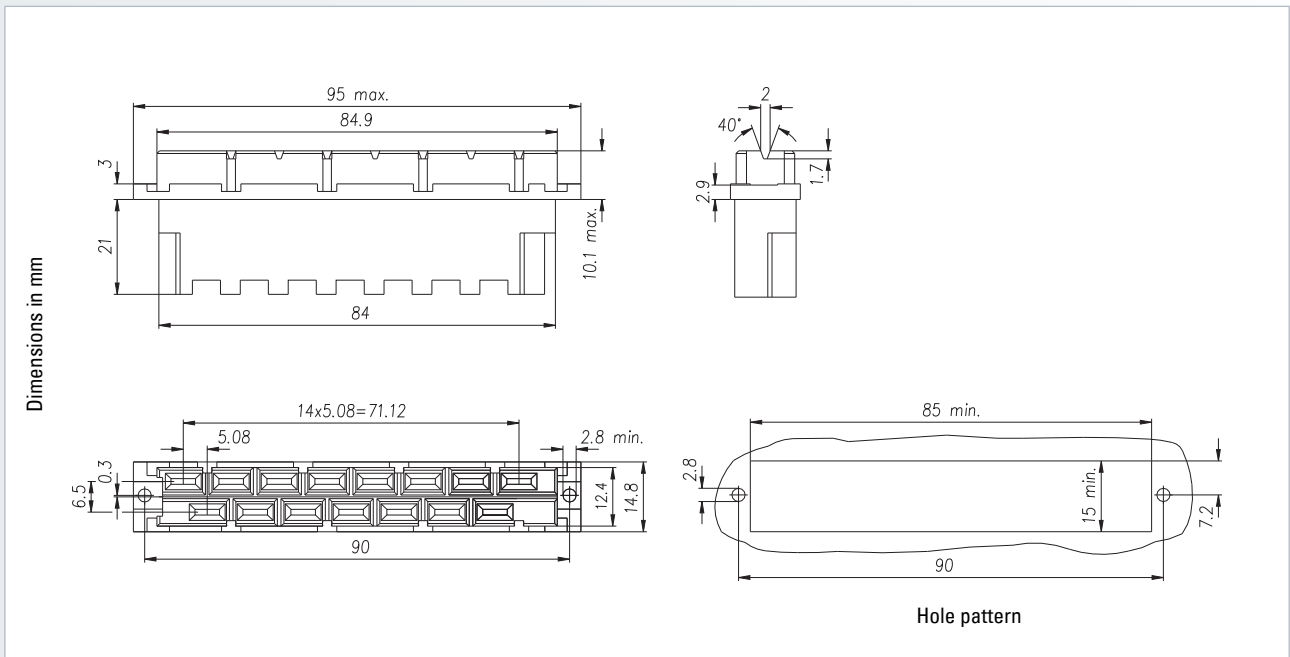


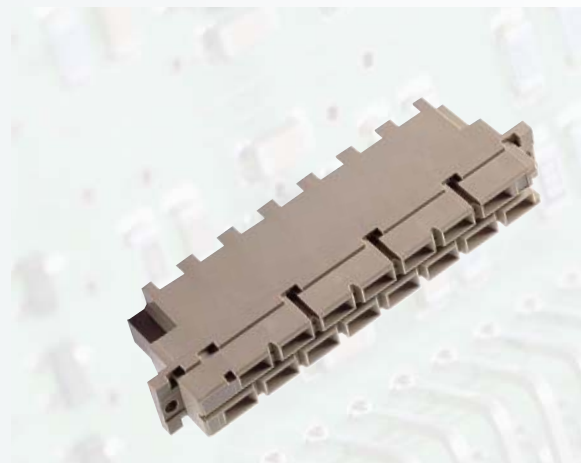
Connectors according to DIN 41612 / IEC 60603-2

Type H15

Female connector



No. of contacts	Contact arrangement	Faston – Performance level II
		Termination length
		Part number
15		114-40060



Options	Accessories
– Board lock (see page 159)	– Coding accessories (see page 160)