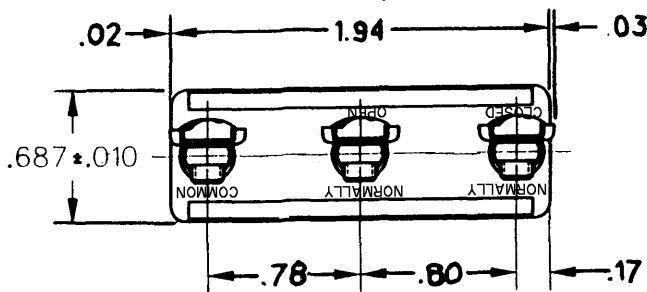
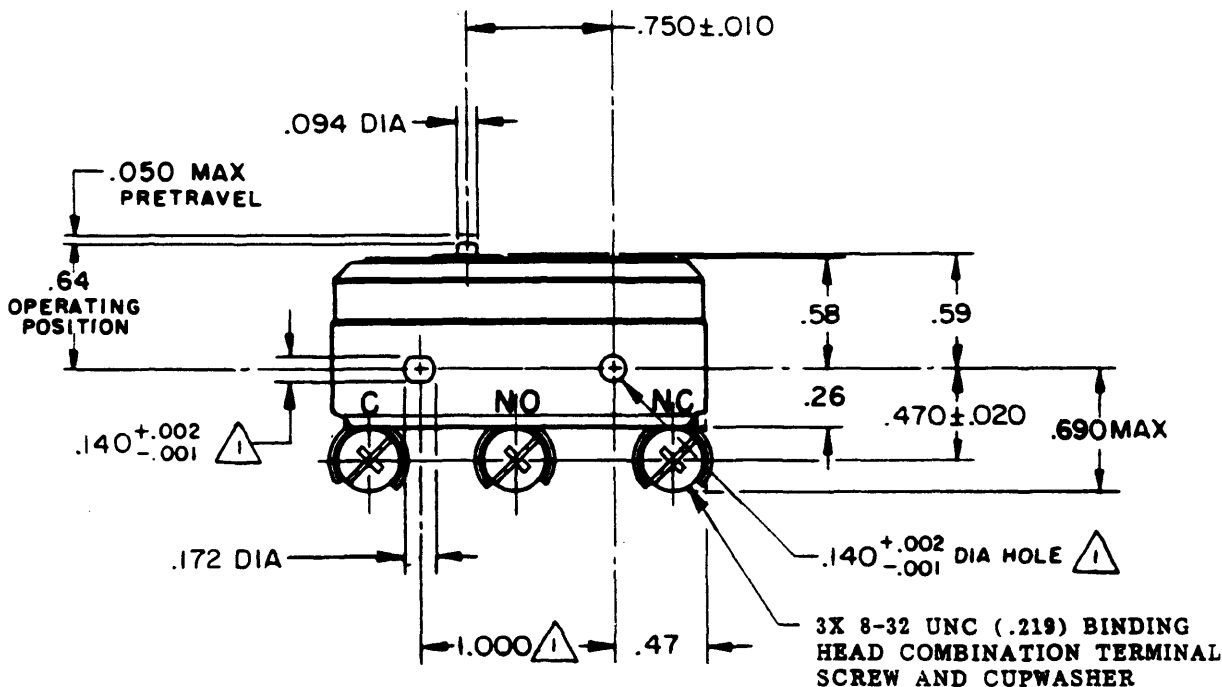


**BA - 2R - P4**  
 PAGE 1 OF 1  
**M**  
 DRAWING NUMBER  
 8  
 ISSUE  
 REVISIONS  
 A CO16851  
 16 FEB 63  
 B 73287-G  
 20 OCT 93  
 C CO-75367B  
 K D R  
 3 MAR 94  
 D CO-77863  
 6 J W  
 29 APR 96  
 E CO93346  
 D L T  
 21 AUG 98  
 F 0018656  
 NM  
 20 FEB 06  
 FORMTEK  
 FO-80378  
 DRAWN  
 G C H 16 FEB 63  
 CHECK  
 DAW 4 APR 63  
 CHECK  
 RJ  
 CHECK  
 20 FEB 06  
 REPLACES  
 RELEASE NO.



**NOTE**  
 MOUNTING HOLES WILL ACCEPT PINS OR SCREWS  
 OF .139 MAX DIA ON 1.000 ± .002 CENTERS

THIS DRAWING COVERS A PROPRIETARY ITEM AND IS THE PROPERTY OF MICRO SWITCH, A DIVISION OF MINNEAPOLIS-HONEYWELL REGULATOR CO. THIS DRAWING IS NOT TO BE COPIED OR USED WITHOUT THE APPROVAL OF MICRO SWITCH.

CHARACTERISTICS	ELECTRICAL DATA	SCALE FULL
OPERATING FORCE ----- 14 - 22 OZ	CONTACT ARRANGEMENT S P D T	DO NOT SCALE PRINT
RELEASE FORCE ----- 10 OZ MIN	-L23- 20A-125, 250, OR 480 VAC 10A-125 VAC "L" 1 HP-125 VAC; 2 HP-250 VAC 1/2 A-125 VDC; 1/4 A-250 VDC	UNLESS OTHERWISE SPECIFIED DIMENSIONS ARE IN INCHES
DIFFERENTIAL TRAVEL ----- .0020-.0075		-L288- -L308- -L315-
OVERTRAVEL ----- .010 MIN	CE 20(3)A 250V ~ T85 5E4	WEIGHT .074 LB