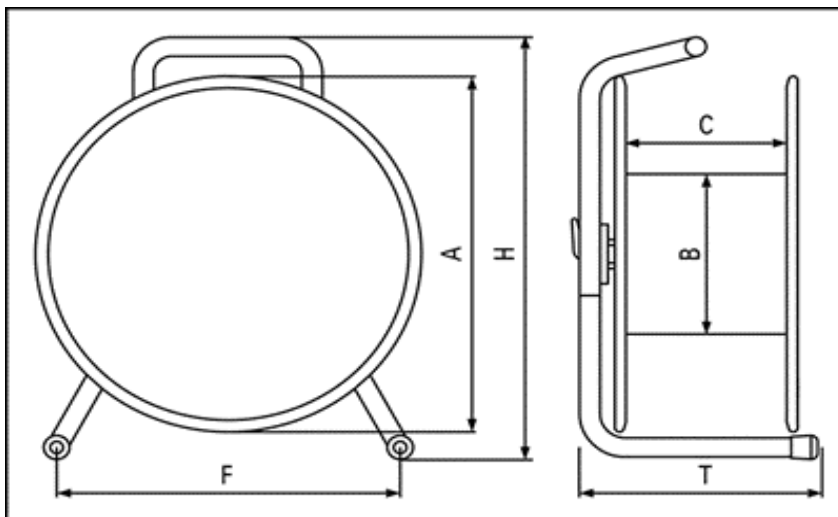


UNIVERSAL CABLE REEL DIMENSIONS

ALL DIMENSIONS mm

	TYPE	A	B	C	F	H	T	
4264447	HDP240	240	120	90	210	310	200	THERMOPLASTIC
4264459	HDP290	290	120	90	260	350	200	THERMOPLASTIC
4264460	HDP330	330	120	90	295	410	220	THERMOPLASTIC
4264472	HDM240	240	120	90	210	310	200	STEEL
4264484	HDM290	290	120	90	260	350	200	STEEL
4264496	HDM330	330	120	90	295	410	220	STEEL



To calculate how much cable a reel will take

1/ for 240 dim $0.003653/\text{od}$ sq of cable $\times 0.85$

2/ for 290 dim $0.0061319/\text{od}$ sq of cable $\times 0.85$

3/ for 330 dim $0.008907/\text{od}$ sq of cable $\times 0.85$

Example

To see how much 6.8mm cable will fit onto a 240 dim reel

First convert 6.8mm to meters (i.e. 6.8 divided by 1000) = 0.0068

Square this figure (i.e. multiply by itself) = 0.000462

Now follow formula 0.003653 divide by $0.000462 = 79.069264$

Multiply by 0.85 = 67.2 so that reel will take 67.2 meters of 6.8mm cable

The figure allows for a sloppy wind

Reels Without Cable



A range of thermoplastic and coated steel cable reels for storing lead assemblies and cables. The reels can be customised using the removable face plates and are especially suitable for mobile, stage, site and outside broadcasting applications.

- Adjustable brakes
- Winding handles
- Bow type safety handles
- Removable face plates allowing specific connectors to be mounted
- Cables can be fed through the face plate to a grommited opening in the cable drum for custom applications
- Blank and loaded face plates available for selected versions

Thermoplastic Types:

A range of empty cable reels with red thermoplastic drums and coated, heavy duty steel stands.

Coated Steel Types:

A range of empty cable reels with red powder coated steel flanges and heavy duty steel frames.

Auxiliary Winder:

Replaces the existing face plate and allows a piece of cable to feed through the front plate and that the reel can be moved further away from the equipment. A hole in the centre allows access to the drum and when not in use, the cable can be wound onto the flange for storage.

Loaded Face Plates: Replaces the existing face plates and feature 3x 13A type sockets, 2x 16A/110V (yellow) or 2x 16A/240V (Blue) BS4343 type sockets.

249159

Description	Order Code
-------------	------------

Thermoplastic Cable Reels

Ø240mm Reel	426-4447
-------------	--------------------------

Ø290mm Reel	426-4459
-------------	--------------------------

Ø330mm Reel	426-4460
-------------	--------------------------

Steel Cable Reels

Ø240mm Reel	426-4472
-------------	--------------------------

Ø290mm Reel	426-4484
-------------	--------------------------

Ø330mm Reel	426-4496
-------------	--------------------------

Face Plates

3x 13A Sockets	426-4502
----------------	--------------------------

2x 16A/110V Sockets	426-4514
---------------------	--------------------------

2x 16A/240V Sockets	426-4526
---------------------	--------------------------

Auxiliary Winder	426-4538
------------------	--------------------------

Blank	426-4540
-------	--------------------------