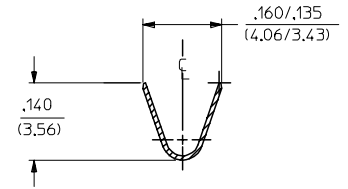
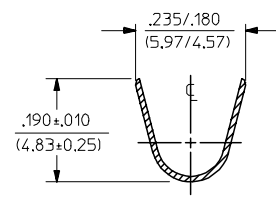
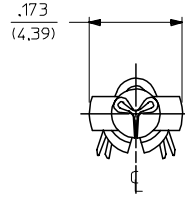


PART NO.	ENG. NO.	DIM. "D" DIA.	INSULATION CRIMP PER
02-09-8103	1973-A(P901)	.091±.003/(2.31±0.08)	SECTION "A-A"-1
02-09-8104	1973-A(P901)L		
02-09-8107	1973-1A(105)	.094±.003/(2.39±0.08)	SECTION "A-A"-1
02-09-8108	1973-2A(P901)		
02-09-8109	1973-2A(P901)L	.091±.003/(2.31±0.08)	SECTION "A-A"-2
-	-		
-	-		



**SECTION "A-A"-2**  
SPECIAL DOUBLE WIRE CRIMP FOR 1973-2 VERSION

**SECTION "A-A"-1**  
STANDARD VERSION FOR 1973 & 1973-1 VERSIONS

**LEGEND**

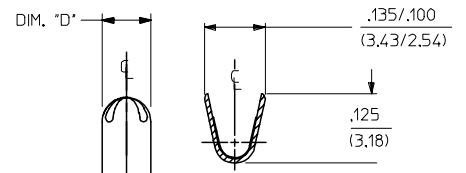
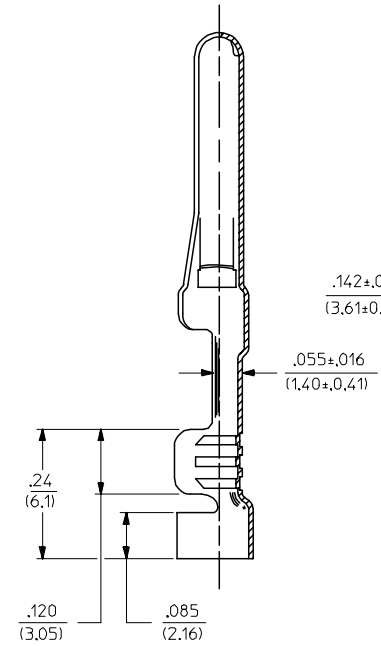
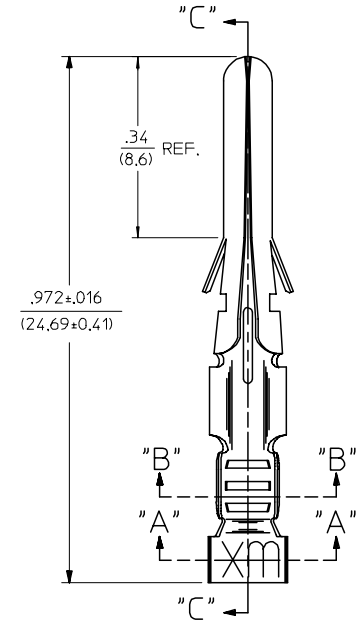
1973-\*A(\* \* \* \* \*)\*

VERSION  
BLANK=ORIGINAL  
1-MODIFIED PIN DIA.  
2-LARGER INSUL. CRIMP

FORM  
BLANK=CHAIN  
L=LOOSE

P-PREPLATE  
BLANK=POSTPLATE

FINISH CODE



**SECTION "B-B"**

**SECTION "C-C"**

- NOTES:
- MATERIAL: CARTRIDGR BRASS ALLOY, .010/(0.25) THICK.
  - FINISHES, PER ES-88:
    - 105 TIN PLATE .000300/(0.00762) MIN, OVER .000100/(0.00254) MIN, COPPER OVERALL.
    - 901 HOT TIN DIP .000020/(0.00051) MIN.
  - \* THE PRIMARY SHIPPING CARTON WILL BE LABELED, "COMPLIANT TO RoHS DIRECTIVE 2002/95/EC AND ANNEX II OF DIRECTIVE 2000/53/EC", AND CARTONS WITHOUT THIS LABEL MAY CONTAIN PRODUCT WITH TIN-LEAD.
  - PACKAGING INFORMATION: NOT AVAILABLE
  - TERMINALS FOR USE WITH .093/(2.36) SERIES HOUSINGS. 1973 & 1973-1 VERSIONS WILL ACCEPT 18 THRU 22 AWG WIRE. 1973-2 VERSION IS FOR USE WITH 14 THRU 18 AWG WIRE AND DOUBLE CRIMPS OF ONE 16 AND ONE 18 AWG OR TWO 18 AWG WIRES.
  - INSERTION FORCE: 3.5 LBS. MAX. WHEN TERMINAL IS INSERTED INTO .124/(3.15) DIA. CORE HOLE.
  - CONTACT RETENTION: 20 LBS. MIN.
  - FLOAT: TERMINAL MAY ROTATE IN HOUSING, BUT SHOULD NOT SPIN FREELY WHEN WIRE IS ROLLED BETWEEN FINGERS.

D	TRANSLATE TO ME10 UCP2005-0722 RHOULTS 10/04/04
C2	ADD .34 DIM. PER ECR U3 1350 03/19/93 RW
C1	FINAL RELEASE ECR U1 1027 03/17/92 RW

TRANSLATE TO ME10 EC NO: UCP2005-0722 DRAWN/RHOULTS 2004/10/06 CHKD/FSM/TH 2004/10/06 APPR/FSM/TH 2004/10/06	QUALITY SYMBOLS 	GENERAL TOLERANCES (UNLESS SPECIFIED)		DIMENSION STYLE IN/MM		SCALE 6:1	DESIGN UNITS INCH	THIRD ANGLE PROJECTION
		4 PLACES ± --- ± --- 3 PLACES ± --- ± .010 2 PLACES ± 0.25 ± .014 1 PLACE ± 0.35 ±	mm INCH ± --- ± --- ± .010 ± .010 ± 0.25 ± .014 ± ±	DRAWN BY GWC DATE 1992/06/17	CHECKED BY RW DATE 1992/06/17	TITLE CRIMP TERMINAL, MALE, GROUND PIN, .093 DIA., FOR VARIOUS WIRE SIZES		
D REV	DESCRIPTION	DRAFT WHERE APPLICABLE MUST REMAIN WITHIN DIMENSIONS		SEE CHART		MOLEX MOLEX INCORPORATED		SHEET NO. 1 OF 1
		MATERIAL NO.		DOCUMENT NO. SD-1973-*		THIS DRAWING CONTAINS INFORMATION THAT IS PROPRIETARY TO MOLEX INCORPORATED AND SHOULD NOT BE USED WITHOUT WRITTEN PERMISSION		