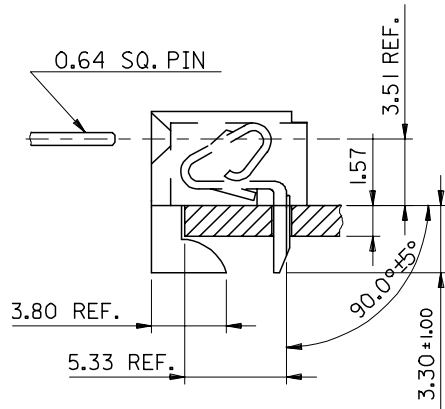
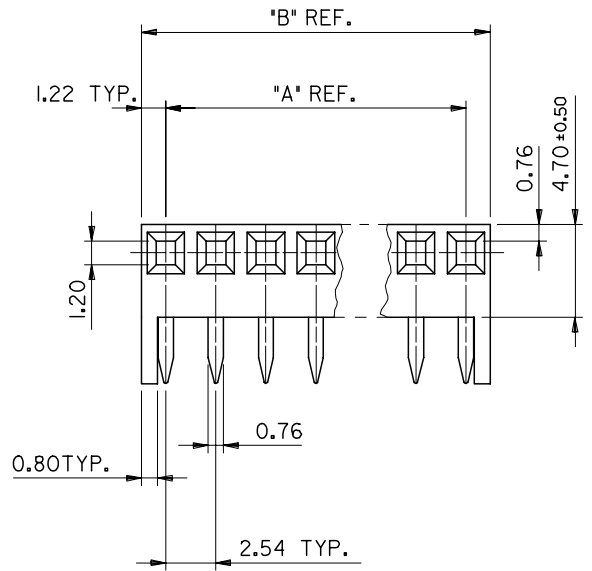


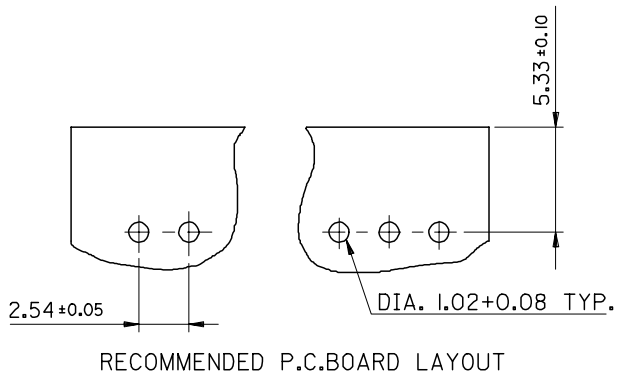
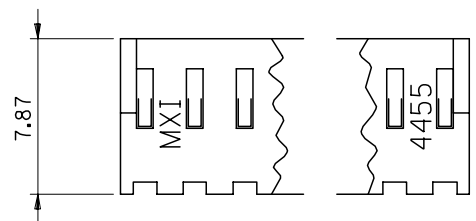
10 9 8 7 6 5 4 3 2 1

F
E
D
C
B
A



PART NO.	ENG. NO.	NO. OF CKTS	DIM. "A"	DIM "B"
38-00-1332	AE-4455C-2AZM	2	2.54	4.98
38-00-1333	AE-4455C-3AZM	3	5.08	7.52
38-00-1334	AE-4455C-4AZM	4	7.62	10.06
38-00-1335	AE-4455C-5AZM	5	10.16	12.60
38-00-1336	AE-4455C-6AZM	6	12.70	15.14
38-00-1337	AE-4455C-7AZM	7	15.24	17.68
38-00-1338	AE-4455C-8AZM	8	17.78	19.53
38-00-1339	AE-4455C-9AZM	9	20.30	22.76
38-00-1340	AE-4455C-10AZM	10	22.86	25.30
38-00-1341	AE-4455C-11AZM	11	25.40	27.84
38-00-1342	AE-4455C-12AZM	12	27.94	30.38
38-00-1343	AE-4455C-13AZM	13	30.48	32.92
38-00-1344	AE-4455C-14AZM	14	33.02	35.46
38-00-1345	AE-4455C-15AZM	15	35.56	38.00
38-00-1346	AE-4455C-16AZM	16	38.10	40.54
38-00-1347	AE-4455C-17AZM	17	40.64	43.08
38-00-1348	AE-4455C-18AZM	18	43.18	45.62
38-00-1349	AE-4455C-19AZM	19	45.72	48.16
38-00-1350	AE-4455C-20AZM	20	48.26	50.70
38-00-1351	AE-4455C-21AZM	21	50.80	53.24
38-00-1352	AE-4455C-22AZM	22	53.34	55.78
38-00-1353	AE-4455C-23AZM	23	55.88	58.32
38-00-1354	AE-4455C-24AZM	24	58.42	60.86
38-00-1355	AE-4455C-25AZM	25	60.96	63.40

- NOTES:
 1. TWO K-K 2.54 ASSEMBLIES MAY BE STACKED END TO END ON 2.54 CENTRE TO CENTRE PROGRESSION
 2. TERMINALS MUST CONFORM TO MOLEX SOLDERABILITY SPEC. NO. 152.



MATERIAL: HOUSING, NYLON 94V-0. TERMINAL, PHOSPHOR BRONZE
 PLATING: HOT TIN DIP, 1.0-2.5 um

ORIGINAL RELEASE EC NO: E2006-0506 DRWN:GMC/SWEEEN 2006/02/21 CHKD:D.MORIARTY 2006/02/27 APPR: DENNEHY 2006/03/28	QUALITY SYMBOLS ▽=0 ▽=0	GENERAL TOLERANCES (UNLESS SPECIFIED) mm INCH 4 PLACES ± --- ± --- 3 PLACES ± --- ± --- 2 PLACES ± 0.25 ± --- 1 PLACE ± 0.35 ± --- ANGULAR ± 2 °	DIMENSION STYLE MM ONLY DRAWN BY DATE DWASZKIEWICZ 2005/12/19 CHECKED BY DATE J. DENNEHY 2005/12/19 APPROVED BY DATE D.MORIARTY 2005/12/19	SCALE 4:1 DESIGN UNITS METRIC THIRD ANGLE PROJECTION	TITLE 2.54MM KK PCBC RA VRA W/CT EAR TNL-A
	MATERIAL NO. SEE CHART	DOCUMENT NO. SDAE-4455C-NAZM	SHEET NO. 1 OF 1		
	DRAFT WHERE APPLICABLE MUST REMAIN WITHIN DIMENSIONS				
	THIS DRAWING CONTAINS INFORMATION THAT IS PROPRIETARY TO MOLEX INCORPORATED AND SHOULD NOT BE USED WITHOUT WRITTEN PERMISSION				

9 8 7 6 5 4 3 2 1