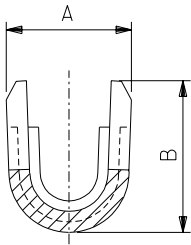


:MM DIMENSIONS IN METRIC DO NOT SCALE DRAWING

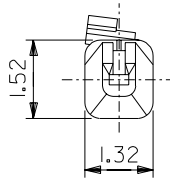
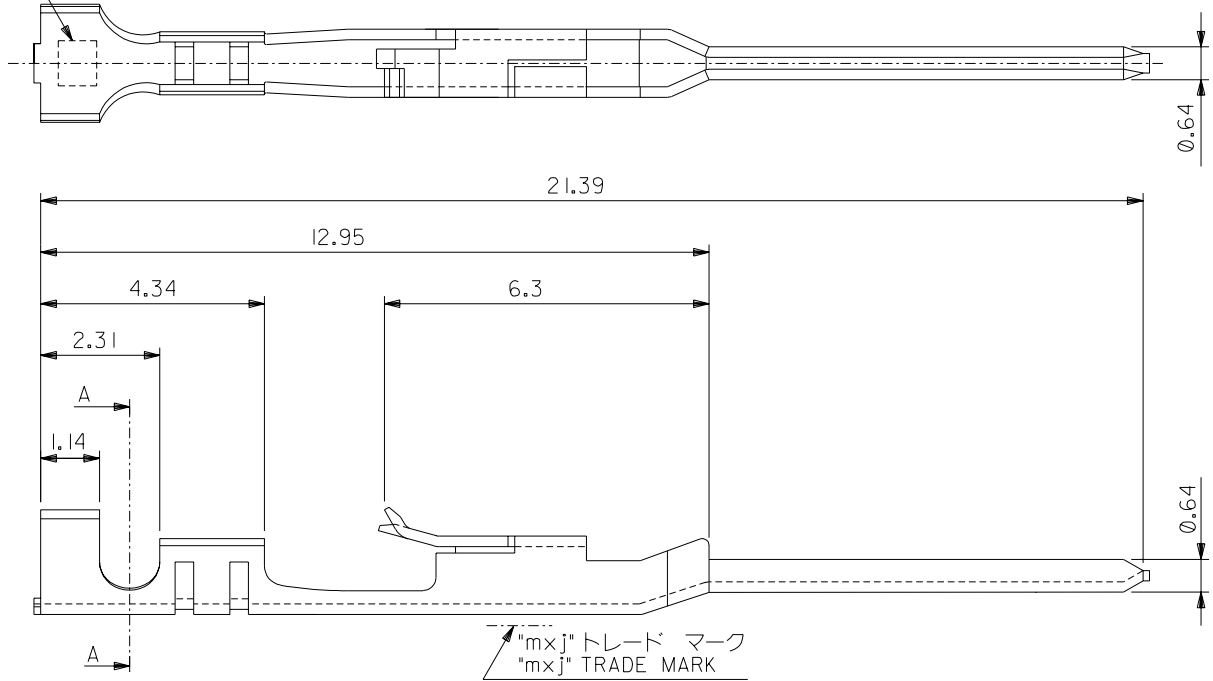
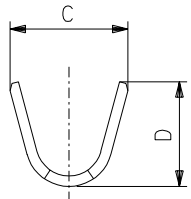
ENG. NO. 0\*04  
SD-70021-0\*21

EDP NO. #

適用電線表示  
CRIMP SIZE CODE LETTER



断面 A-A  
SECTION A-A  
(SCALE:20-1)



注記:  
NOTES:

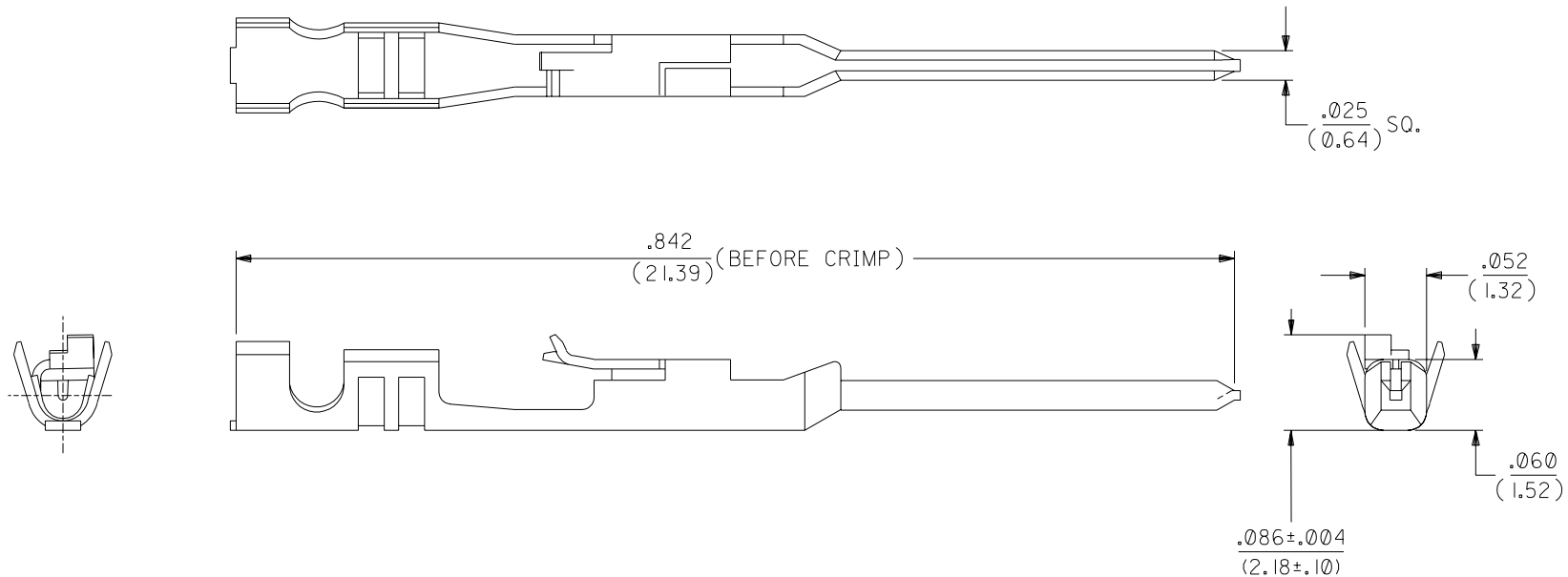
- 適合ハウジング: 70066-\*\*\*\*, 70107-\*\*\*\*  
APPLICABLE HOUSING: 70066-\*\*\*\*, 70107-\*\*\*\*
- 仕上げ ニッケル下地、錫メッキ  
FINISH TIN OVER NICKEL PLATING

1.91	2.1	1.47	1.22	A	適用電線表示 CRIMP SIZE CODE LETTER	被覆外径 INS. RANGE	適用電線範囲 WIRE RANGE	バラ状 LOOSE	70021-0204
1.91	2.1	1.65	1.84	C				AWC#24-#30	連鎖状 CHAIN
D	C	B	A					バラ状 LOOSE	70021-0221
								連鎖状 CHAIN	70021-0021
									MATERIAL No.
									材料 PHOSPHOR BRONZE t 0.203
									仕上げ SEE NOTES
									適用電線範囲 SEE CHART
									被覆外径 INS. RANGE SEE CHART
									DRAWN BY CHK'D BY A.A.
									APP'D BY SCALE 10-1
									TITLE 名称 SL MALE CRIMP TERMINAL -LEAD FREE-

角度 ANGLE	+3°	B	変更 REVISED (J2004-4519)	Y.W.	M.S.	04/05/31
30以上 OVER	+0.3	A	変更 REVISED (T20159)	H.I.	H.I.	19/5/20
10以上 OVER 30未滿 UNDER	+0.25	0	新規作成 RELEASED (T00110)	Y.W.	M.S.	19/4/6
10未滿 UNDER	+0.2	記号 LTR	変更内容 REVISION RECORD	DR. CHK.	日付 DATE	
一般公差 GENERAL TOLERANCES		REVISE ONLY ON CAD SYSTEM				

THIS DRAWING CONTAINS INFORMATION THAT IS PROPRIETARY TO MOLEX(JAPAN) AND SHOULD NOT BE USED WITHOUT WRITTEN PERMISSION  
本図面は日本モレックス(株)の所有する情報を含むもので 当社の許可なく複製を禁止する。

10 | 9 | 8 | 7 | 6 | 70021 | 4 | 3 | 2 | 70021



**NOTES:**

1. TERMINAL FOR USE WITH HOUSING PART NO. 70066-\*\*\*\* & 70107-\*\*\*\*.
2. MATERIAL: .008/(0.20) THK. PHOSPHOR BRONZE.
3. TERMINAL TO BE USED WITH 22-24 AWG STRANDED WIRE WITH .064 DIA. MAX. INSULATION.
4. REFER TO MOLEX OPERATIONAL AND SERVICE MANUAL FOR DETAILS.
5. REFER TO PRODUCT SPECIFICATION NO. PS-70021.
6. PARTS SUPPLIED IN REEL FORM.

**PLATING:**

.000150 MIN. TIN PLATE OVER NICKEL PLATE.

\*THE PRIMARY SHIPPING CARTON WILL BE LABELED "COMPLIANT TO RoHS DIRECTIVE 2002/95/EC AND ELV ANNEX II OF DIRECTIVE 2000/53/EC". CARTONS WITHOUT THIS LABEL MAY CONTAIN PRODUCT WITH LEAD.

D	LEAD FREE UCP2004-1769 RWHITE 04/03/12
CI	REVISED ECR #U80270 MCGRATH 97/07/31
C	164 PLTG. WAS 102 PER ECR # U31149 08/17/93 REED
B	REDRAWN ON CAD PER ECR # 9509 11/10/86 WJF/MJM

MFG.	SH.	REV.	LTR.	REVISIONS
------	-----	------	------	-----------

DIMENSIONS SHOWN (METRIC) INCH		▽ = 0 ▼ = 0		REVISE ONLY ON CAD SYSTEM	
UNLESS OTHERWISE SPECIFIED TOLERANCES: ANGULAR ± 1/2°					
		INCH		METRIC	
3 PLACE	± .010	---			
2 PLACE	± .015	± 0.25			
1 PLACE	---	± 0.35			
DRAFT WHERE APPLICABLE MUST REMAIN WITHIN DIMENSIONS					
DRWG. BY	WJF	CHK'D. BY	MJM		
APP'D. BY	WAZ	SCALE	10:1		
FILE NAME		SHEET NO.		DATE	
S70021X21 DGN		1		10/30/86	
PART NO.		DRWG. NO.			
16-02-0107		SD-70021-0021			
THIS DRAWING CONTAINS INFORMATION THAT IS PROPRIETARY TO MOLEX INC. AND SHOULD NOT BE USED WITHOUT WRITTEN PERMISSION.					
				DIV.	SIZE
				DA	B

10 | 9 | 8 | 7 | 6 | 5 | 4 | 3 | 2 | 1