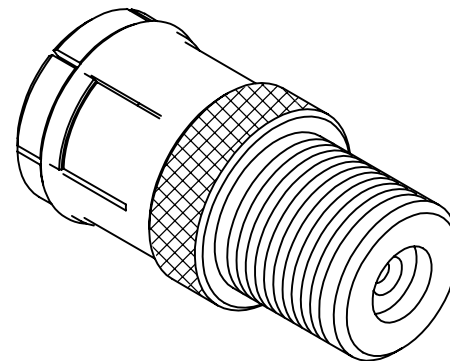
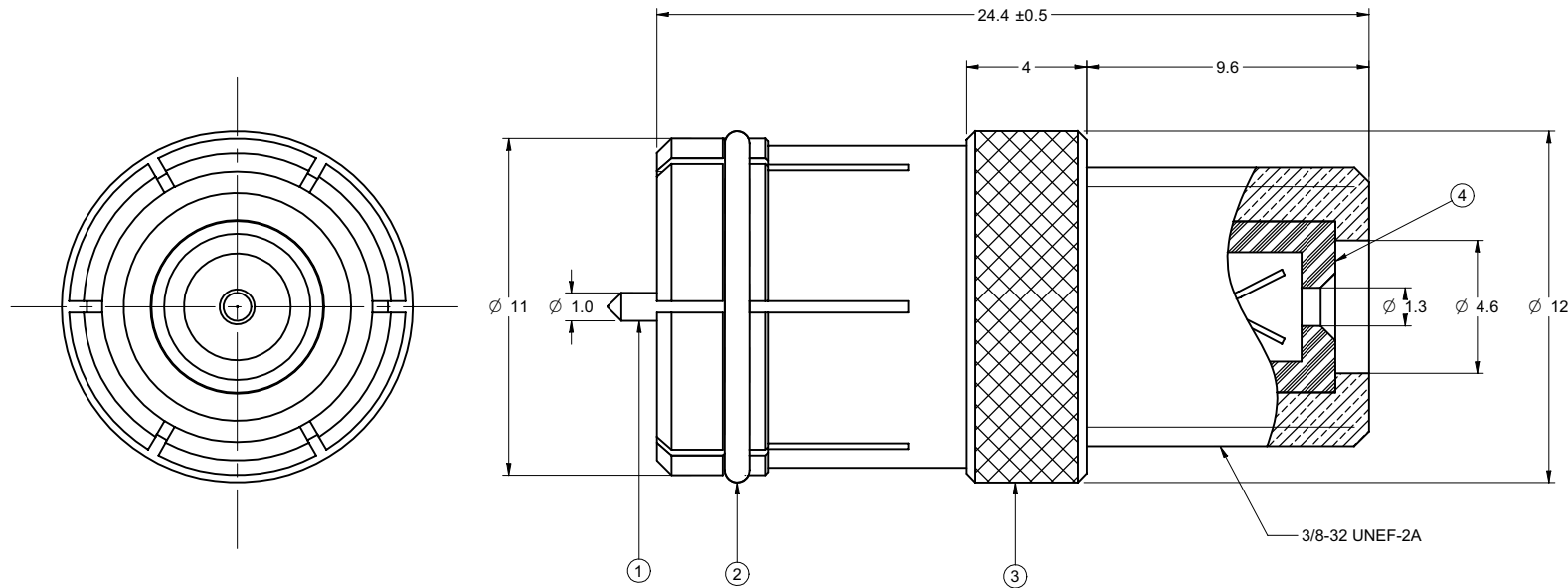


PART NUMBER	ITEM ① CONTACT	ITEM ② SPRING	ITEM ③ BODY	ITEM ④ INSULATOR
25-7140	BRASS NICKEL PLATED	STEEL NICKEL PLATED	BRASS NICKEL PLATED	DELRIN

受控 CONTROLLED DOCUMENT			
编号 P/N	25-7140	版本 Rev	01
日期 Rel'd Date	May8,09		

DRAWING NO. 25-7140	
REVISIONS	
01	OFFICIAL RELEASE 04-13-09
<small>Thomas Chou 0000-00-04 16:31:25 +08'00'</small>	



NOTES:

1. TECHNICAL DETAIL: REFER TO EMERSON DOCUMENT P/N 25-0000.

THIS DRAWING TO BE INTERPRETED PER ANSI Y 14.5M - 1994

COMPANY CONFIDENTIAL

TOLERANCE UNLESS OTHERWISE SPECIFIED		DRAWN BY BETTY.YU	DATE 04-13-09
DECIMALS	mm	CHECKED BY BETTY.YU	DATE 04-13-09
X	± 0.5	APPROVED BY THOMAS	DATE 04-13-09
X.X	+ 0.2		
X.XX	+ 0.1		
ANGLES	± 0.5°	U/M	mm

		Connectivity Solutions	
TITLE F FEMALE TO PUSH ON MALE			
SHEET 1 OF 1	DRAWING NO. 25-7140	SIZE C	

THIS DRAWING WAS PRODUCED BY COMPUTER, DO NOT SCALE DRAWING OR UPDATE MANUALLY.