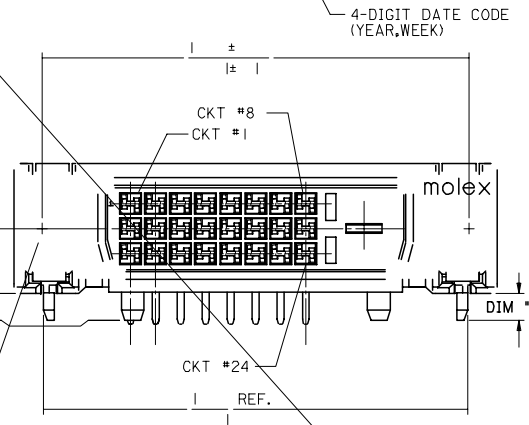


NOTES:

- MATERIALS:
 SHIELD -- DEEP DRAW STEEL.
 HOUSING -- GLASS FILLED POLYMER, NATURAL (WHITE), UL 94V-0.
 TAIL ALIGNER -- GLASS FILLED POLYMER, NATURAL (WHITE), UL 94V-0.
 CONTACTS -- COPPER ALLOY.
 MICROCROSS GROUND -- COPPER ALLOY.
- PLATING: SEE SHEET 2
- PRODUCT CONFORMS TO MOLEX PRODUCT SPECIFICATION NUMBER PS-74320-001. REFER TO THIS SPECIFICATION FOR SPACING ON A P.C.B. OF TWO OR MORE CONNECTORS WHEN USING A CABLE OR AN ADAPTER ASSEMBLY.
- SEE SHEET 2 FOR RECOMMENDED PANEL CUT-OUT AND P.C.B. LAYOUT.
- PRODUCT CONFORMS TO DDWG DVI SPECIFICATION. REFER TO THIS SPECIFICATION FOR CONNECTOR MATING DIMENSIONS.
- REFER TO PRODUCT SPECIFICATION NUMBER PS-74320-001 FOR THE APPLICATION TORQUE REQUIREMENT FOR ASSEMBLING MOUNTING HARDWARE.

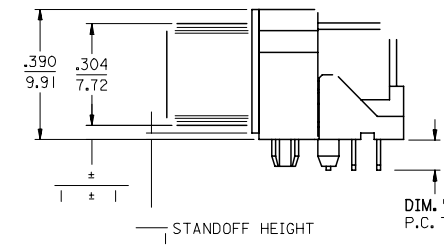


.195
4.95

.080 PLASTIC PEG
2.03 LENGTH (2X)

#4-40 THREAD (2X)
(SEE NOTE #7)

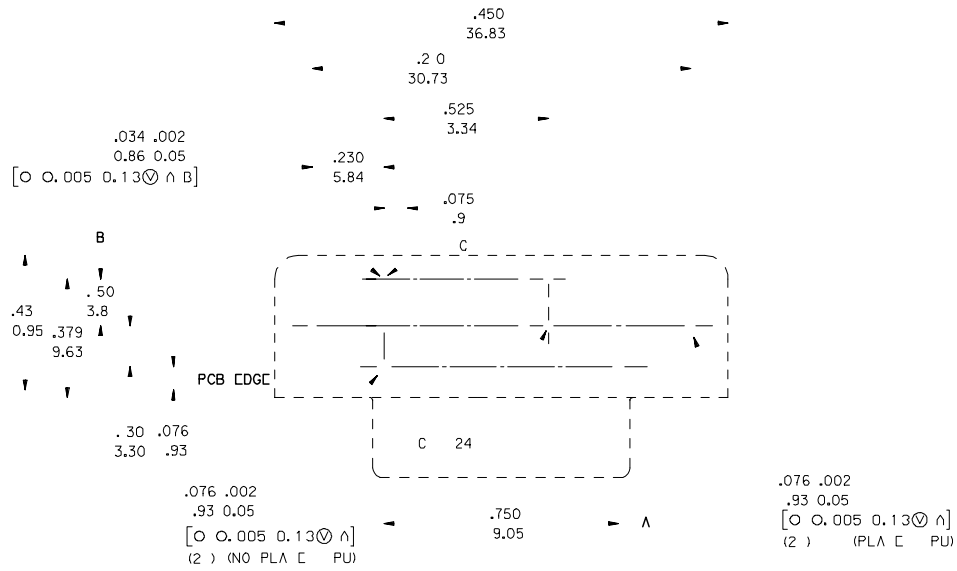
DIM 'B' SHIELD
GROUND LEG
LENGTH (2X)



SHIELD FACE TO PEGS REF.

SHIELD FACE TO GROUND LEG & .075" P.C. TAILS ROW #1 REF.

PART NUMBER	PLATING OPTION	DIM 'A'	DIM 'B'
74320-4000	1	.092/2.34	.080±.020
74320-4001	1	.050/1.27	2.03±0.51
74320-4004	2	.092/2.34	.080±.020
74320-4005	2	.050/1.27	2.03±0.51
74320-4016	2	.110/2.79	.110/2.79

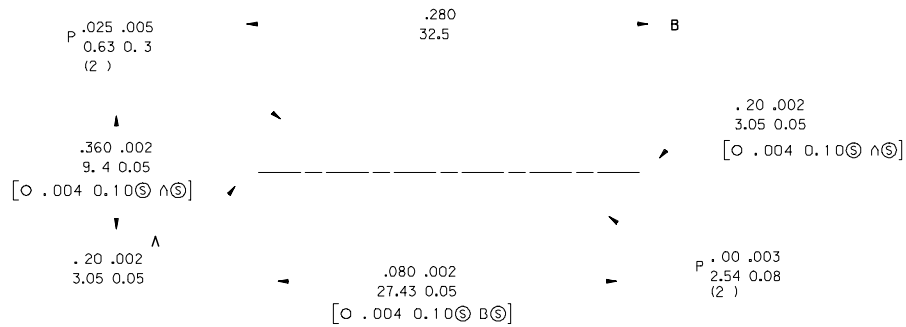


RECOMMENDED PCB LAYOUT

ESCAPE DIMENSIONS REPEATED CONNECTION OVERLAY ON PCB.

50L (.27L) M N N C EL OVER COPPER FLAS .

M N N BP G N OVER
 50L (.27L) M N N C EL OVER COPPER FLAS .



RECOMMENDED PANEL CUTOUT

PANEL CUTOUTNESS: .030 .040

