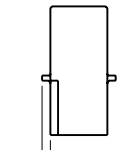
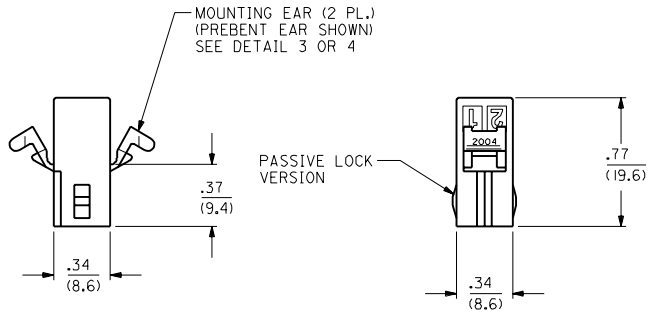
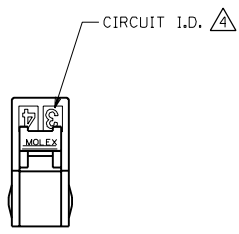
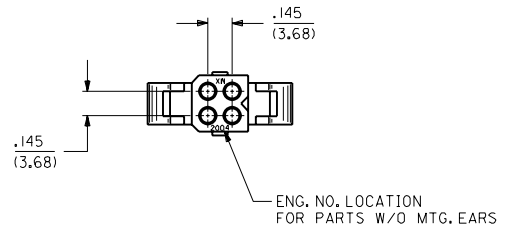


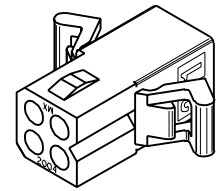
**DETAIL 1**  
 POSITIVE LOCK VERSION  
 ENG. NO. 2004-R5\*



ALLOWANCE OF .000/.060 (0.00/1.52) (2 PL.) FOR CUT OFF OF MOUNTING EARS  
**DETAIL 2**  
 RECEPTACLE WITHOUT EARS OR DETENTS, ENG. NO. 2004-R3\*



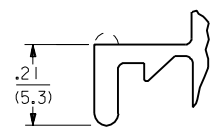
ENG. NO. LOCATION FOR PARTS W/O MTG. EARS



**RECEPTACLE HOUSING**

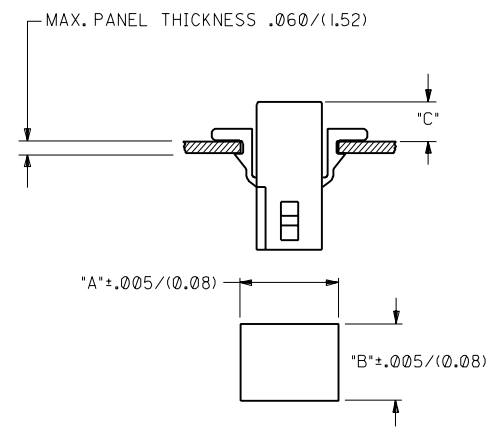
DIMENSIONS SHOWN METRIC INCH		▽ = 0 ▼ = 0		REVISE ONLY ON CAD SYSTEM	
UNLESS OTHERWISE SPECIFIED TOLERANCES: ANGULAR ± .0010		TITLE		PLUG AND RECEPTACLE HOUSINGS, 4 CIRCUIT .062/(1.57) DIA.	
INCH METRIC		PART NO.		DATE	
3 PLACE ± .010 ---		L15LEJLL		8/27/91	
2 PLACE ± .014 ± 0.25		MOLEX INCORPORATED		SHEET NO. 2	
1 PLACE --- ± 0.36		60532		U.S.A.	
DRAFT WHERE APPLICABLE MUST REMAIN WITHIN DIMENSIONS		SEE CHART		SD-2004-*	
DRWG. BY: RS		CHKD. BY: RW		APP'D. BY: RS	
SCALE: 4:1		FILE NAME: H2004C4.S05		DIV. CP	
LTR. REVISIONS		LTR. REVISIONS		SIZE	

13	12	11	10	9	8	7	6	2004	4	3	2	1
PLUG			RECEPTACLE			LEGEND:						
PART NO. ENG. NO.			PART NO. ENG. NO.			2004-***						
03-06-2043 2004-P			03-06-1043 2004-R			P = PLUG						
03-06-7043 2004-PBK			03-06-6043 2004-RBK			R = RECEPTACLE						
03-06-2044 2004-PI			03-06-1044 2004-RI			BLANK = WITH STANDARD EARS						
03-06-7044 2004-PIBK			03-06-6044 2004-RIBK			1 = WITHOUT EARS						
PRELIMINARY 2004-P2			03-06-1046 2004-R3			2 = WITH PREBENT EARS						
03-06-7045 2004-PIRD			03-06-1052 2004-R5			3 = W/O EARS, W/O DETENTS						
03-06-7046 2004-PIBN			03-06-6052 2004-R5BK			5 = W/O EARS, WITH POSITIVE LOCKS						
03-06-7047 2004-PIOR			PRELIMINARY 2004-R2			COLOR: _____						
			03-06-6045 2004-RRD			BLANK = NATURAL						
			03-06-6046 2004-RBN			AM=AMBER BK=BLACK BU=BLUE						
			03-06-6048 2004-ROR			BN=BROWN GY=GRAY GN=GREEN						
						OR=ORANGE RD=RED YW=YELLOW						



**DETAIL 3**  
STANDARD MOUNTING EARS  
(SCALE 4:1)

NOTE:  
~~THIS DRAWING ENCOMPASSES~~ ALL 2004  
SERIES HOUSINGS EXCEPT 2004-R7.



RECOMMENDED HOLE PATTERN

HOUSING	DIM. "A"	DIM. "B"	PREBENT EAR DIM. "C"	STD. EAR DIM. "C"
PLUG	.615 (15.62)	.465 (11.81)	.26 (6.6)	.26 (6.6)
RECEPTACLE	.506 (12.85)	.400 (10.16)	.24 (6.1)	.24 (6.1)

- NOTES:
- MATERIAL - NYLON TYPE 6/6, 94V-2
  - THIS PRODUCT COMPLIES WITH MOLEX PRODUCT SPEC 02-06.
  - HOUSINGS FOR USE WITH MOLEX .062/(1.57) DIA. SERIES TERMINALS.
  - CIRCUIT I.D. NUMBERS ON SIDE OF HOUSING APPEAR ON PARTS FROM TOOLS BUILT AFTER 8/26/91.
  - THIS DIMENSION .020/(0.51) LESS ON TOOLS BUILT PRIOR TO 8/26/91.



**DETAIL 4**  
PREBENT MOUNTING EARS  
(SCALE 4:1)

DIMENSIONS SHOWN (METRIC) INCH UNLESS OTHERWISE SPECIFIED TOLERANCES ANGULAR ± 10°		REVISE ONLY ON CAD SYSTEM	
INCH METRIC		TITLE	
3 PLACE ± .010	---	PLUG AND RECEPTACLE HOUSINGS, 4 CIRCUIT	
2 PLACE ± .014	± 0.25	.062/(1.57) DIA.	
1 PLACE ---	± 0.36	MOLEX INCORPORATED U.S.A.	
DRAFT WHERE APPLICABLE MUST REMAIN WITHIN DIMENSIONS		PART NO. SHEET NO. DATE	
DRAWN BY: JJS		SD-2004-#	
CHK'D BY: RW		MOLEX INC. AND SHOULD NOT BE USED WITHOUT WRITTEN PERMISSION	
APP'D BY: RS		CP C	
SCALE: 2 : 1			

K	SEE SHEET 1
J2	SEE SHEET 1
J1	SEE SHEET 1
J	SEE SHEET 1
I	SEE SHEET 1
LTR.	REVISIONS