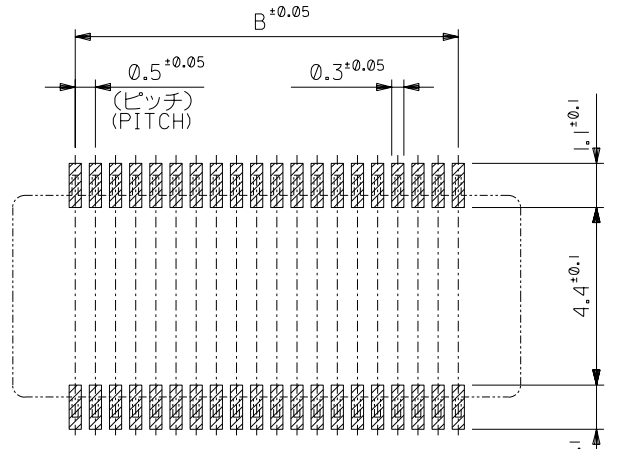
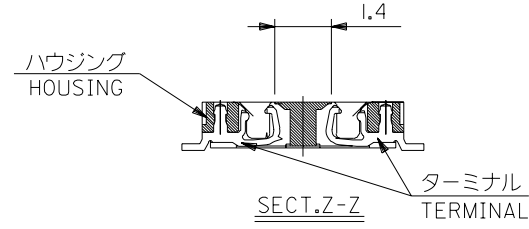
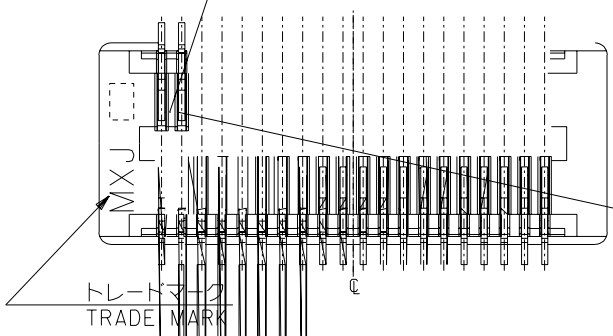
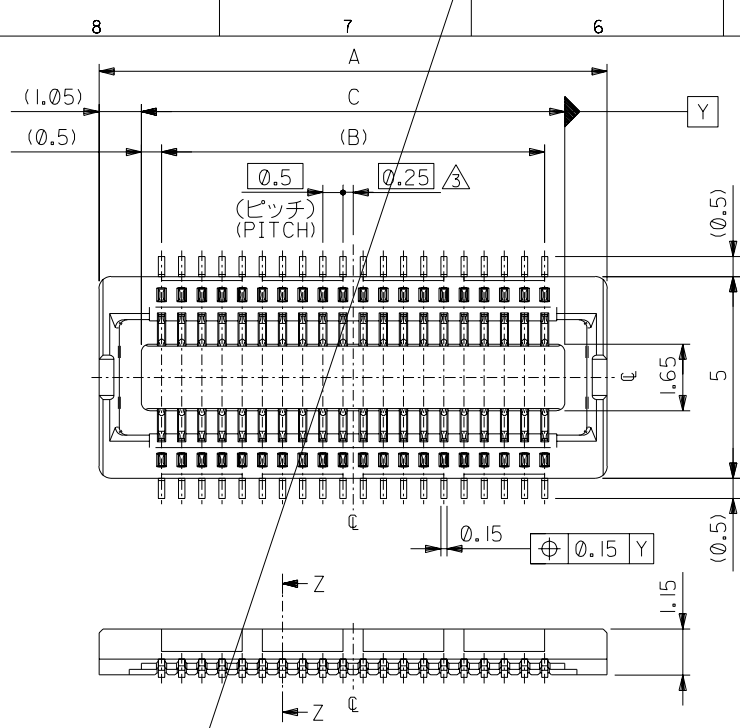


(全極数/2) = 偶数の場合に適用。
4 APPLY FOR (CIRCUIT/2)=EVEN.
55560

5 テール平坦度は、

8.0	7.0	10.1	54722-0301	30
C	B	A	極数 CIRCUIT	



参考基板レイアウト (マウント面)
P.C.BOARD PATTERN
DIMENSION. (REF.)
(MOUNTING AREA)

34極以上品形状
SHAPE OF 34 CIRCUITS OR MORE

注記 NOTES:

1. 使用材料 MATERIAL
ハウジング: 液晶ポリマー ガラス充填, UL94V-0 (黒)
HOUSING: LIQUID CRYSTAL POLYMER (GLASS FILLED)
UL94V-0, (COLOR: BLACK)
ターミナル: リン青銅 (t=0.15)
TERMINAL: PHOSPHOR BRONZE (t=0.15)
2. メッキ仕様 PLATING
金メッキ 0.25 MICROMETER MINIMUM (コンタクト部)
GOLD 0.25 MICROMETER MINIMUM. (CONTACT AREA)
金メッキ 0.4 MICROMETER MAXIMUM (テール部)
GOLD 0.4 MICROMETER MAXIMUM. (TAIL AREA)
下地メッキ: ニッケルメッキ 1.5 MICROMETER MINIMUM
UNDER PLATING: NICKEL 1.5 MICROMETER MINIMUM

- △ (全極数/2) = 偶数の場合に適用。
APPLY FOR (CIRCUIT/2)=EVEN.
4 嵌合相手: 55560 シリーズ, 53794 シリーズ
MATE WITH: 55560 SERIES, 53794 SERIES.
5 テール平坦度は、0.1 MAXIMUM。
TAIL COPLANARITY TO BE 0.1 MAXIMUM.

20.5	19.5	22.6	54722-0801	80
15.5	14.5	17.6	54722-0601	60
13.0	12.0	15.1	54722-0501	50
12.0	11.0	14.1	54722-0461	46
10.5	9.5	12.6	54722-0401	40
9.0	8.0	11.1	54722-0341	34
C	B	A	MATERIAL. NO	極数 CIRCUIT

REVISED	REVISION	DATE	BY	CHK	APP
1					
2					
3					
4					
5					
6					
7					
8					

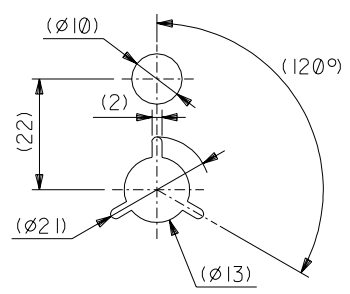
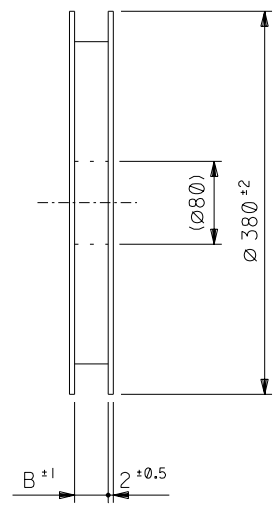
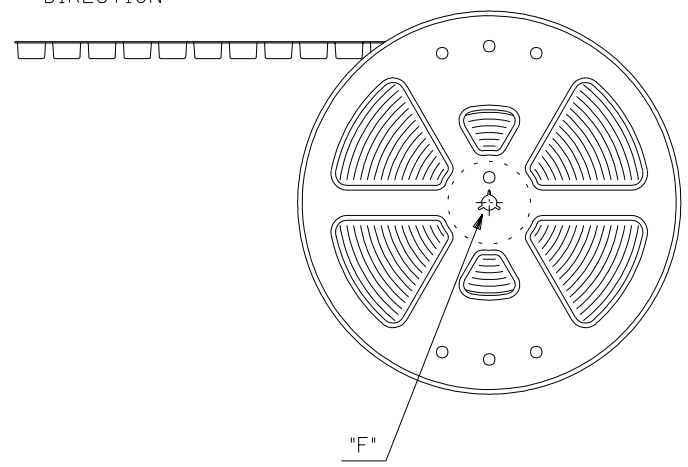
MATERIAL	材料	注記参照 SEE NOTES
FINISH	仕上げ	--
WIRE RANGE	適用線径範囲	--
INS. RANGE	被覆外径	--

GENERAL TOLERANCES: (UNLESS SPECIFIED) 一般公差	SCALE	DESIGN UNITS
10 UNDER 未満	1:1	mm <input checked="" type="checkbox"/> INCH
10 OVER 以上		
30 UNDER 未満		
30 OVER 以上		
ANGLE	角度	3°

MODEL NO. 54722-***	DIMENSIONS:	SHT	REV
	mm <input checked="" type="checkbox"/> INCH		
DRAWN BY & DATE	TITLE:		
S. AIHARA '01/02/13	0.5 B-To-B Conn Rec HOUSING Assy (Hgt=1.5mm)		
CHECKED BY & DATE			
M. SASAO '03/03/31			
APPROVED BY & DATE			
M. SASAO '03/03/31			
CAD FILENAME	MATERIAL NO.	DRAWING NO.	SHEET NO.
54722007.S02	SEE CHART	SD-54722-007	2 OF 2
THIS DRAWING CONTAINS INFORMATION THAT IS PROPRIETARY TO MOLEX INCORPORATED AND SHOULD NOT BE USED WITHOUT WRITTEN PERMISSION.			SIZE B

DWG. NO. SD-54722-008

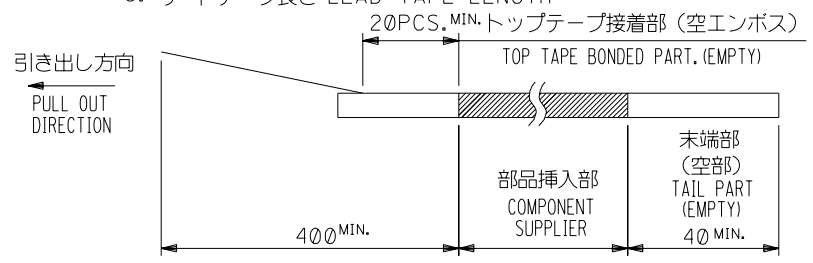
引き出し方向
PULL OUT DIRECTION



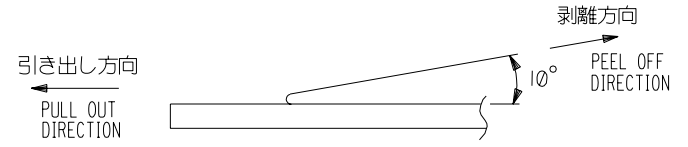
DETAIL "F"

注記 NOTES

- 製品詳細寸法については図面 SD-54722-007 を参照下さい。
RE DETAILED DIMENSION, SEE SD-54722-007
- 梱包数量：3000個/リール
NUMBER OF CONNECTORS：3000PCS/REEL
- リードテープ長さ LEAD TAPE LENGTH



- トップテープの剥離強度：0.1N ~ 0.7N(10.2gf ~ 71.4gf)
(剥離方向は下図参照)
尚、本規格値は出荷時に適用。(但し、輸送時に剥離が発生しないこと。)
PEELING OFF FORCE OF TOP TAPE：0.1N ~ 0.7N(10.2gf ~ 71.4gf)
(PEELING DIRECTION AS SHOWN IN FOLLOWING FIG.)
THIS REQUIREMENT SHOULD BE APPLIED AT SHIPMENT.
PEEL OFF SHOULD NOT BE ALLOWED, DURING TRANSPORTATION.



- 材料
キャリアテープ：ポリプロピレン (PP)
トップテープ：PET, PE, PEF
リール：ポリスチレン (PS) <リサイクル材を含む>

MATERIAL CARRIER TAPE:POLYPROPYLENE
TOP TAPE:PET,PE,PEF
REEL:POLYSTYRENE(PS)
<RECYCLE MATERIAL CONTAINED>

DO NOT SCALE DRAWING

EC NO. DRAWN: CHK'g APPR:	REVISED EC NO. J2004-1680 DRAWN: K.SETO '03/12/22 CHK'g: H.TAKASE APPR: J.MIYAZAWA	REVISED EC NO. J2003-2517 DRAWN: S.AIHARA '03/03/31 CHK'g: M.SASAO APPR: M.SASAO	REVISED EC NO. J2003-1929 DRAWN: T.YASUI '03/11/23 CHK'g: T.IIO APPR: T.IIO	REVISED EC NO. J2003-1468 DRAWN: T.YASUI '02/11/25 CHK'g: T.IIO APPR: T.YAMAGUCHI	MATERIAL 材料 注記参照 SEE NOTES	GENERAL TOLERANCES: (UNLESS SPECIFIED) 一般公差	SCALE //	MODEL NO. 54722-***7	DESIGN UNITS <input checked="" type="checkbox"/> mm <input type="checkbox"/> INCH	DIMENSIONS: <input type="checkbox"/> mm <input type="checkbox"/> INCH <input checked="" type="checkbox"/> mm ONLY	SHT	REV
					FINISH 仕上げ //	10 UNDER 未満 ±0.2	DRAWN BY & DATE S.AIHARA '00/10/ 6	THIRD ANGLE PROJECTION <input checked="" type="checkbox"/> THIRD ANGLE	TITLE: 0.5 B-To-B Conn Rec Assy (Hgt=1.5) Embstp Pkg			
					WIRE RANGE 適用層線範囲 //	10 OVER 30 UNDER 未満 ±0.25	CHECKED BY & DATE M.SASAO '03/03/31					
					INS. RANGE 被覆外径 //	30 OVER 以上 ±0.3	APPROVED BY & DATE M.SASAO '03/03/31					
						ANGLE 角度 ±3°	CAD FILENAME 54722008.S01					
							MATERIAL NO. SEE CHART					
							DRAWING NO. SD-54722-008					
							SHEET NO. 1 OF 5					
							THIS DRAWING CONTAINS INFORMATION THAT IS PROPRIETARY TO MOLEX INCORPORATED AND SHOULD NOT BE USED WITHOUT WRITTEN PERMISSION.					
												SIZE B

54722008.S01

DWG. NO. SD-54722-008

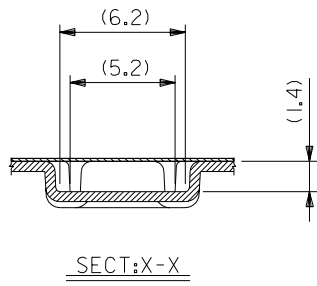
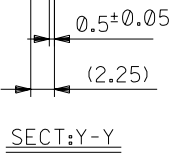
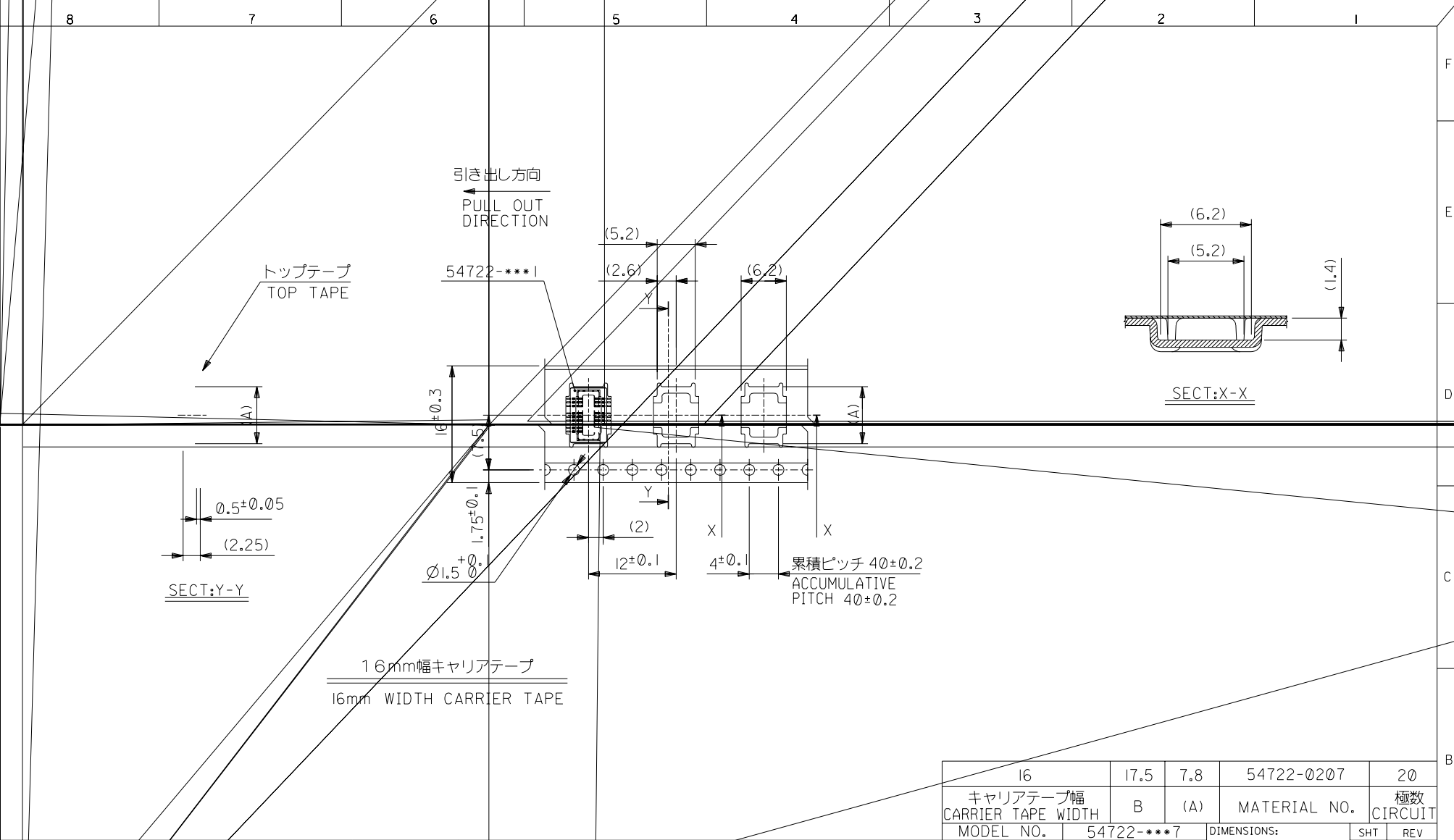
F

D

C

B

DO NOT SCALE DRAWING



16mm幅キャリアテープ
16mm WIDTH CARRIER TAPE

累積ピッチ 40±0.2
ACCUMULATIVE PITCH 40±0.2

EC NO.	REVISED	REVISED	REVISED	REVISED	REVISED
DRWN: K.SETO	EC NO. J2004-1680	EC NO. J2003-2517	EC NO. J2003-1929	EC NO. J2003-1468	EC NO. J2003-1468
CHK: H.TAKASE	DRWN: K.SETO '03/12/22	DRWN: S.AIHARA '03/03/31	DRWN: T.YASUI '03/11/23	DRWN: T.YASUI '02/11/25	DRWN: T.YASUI '02/11/25
APPR: J.MIYAZAWA	CHK: H.TAKASE	CHK: M.SASAO	CHK: T.IITO	CHK: T.IITO	CHK: T.IITO
	APPR: J.MIYAZAWA	APPR: M.SASAO	APPR: T.IITO	APPR: T.YAMAGUCHI	APPR: T.YAMAGUCHI

MATERIAL 材料	SHEET 1 OF 5 参照 REFER TO SHEET 1 OF 5
FINISH 仕上げ	//
WIRE RANGE 適用電線範囲	//
INS. RANGE 被覆外径	//

GENERAL TOLERANCES: (UNLESS SPECIFIED) 一般公差	
10 UNDER 未満	±0.2
10 OVER 30 UNDER 未満	±0.25
30 OVER 以上	±0.3
ANGLE 角度	±3°

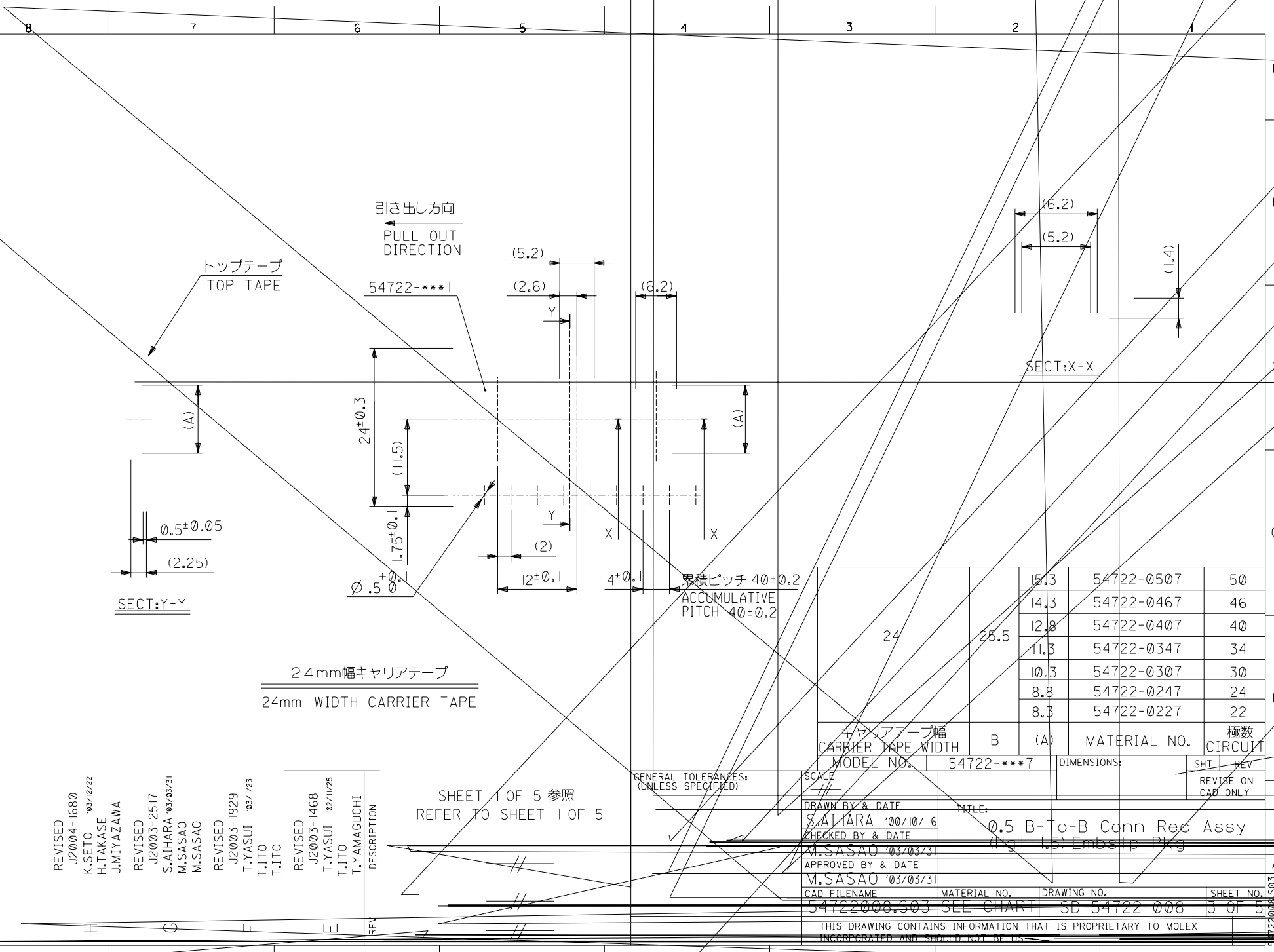
16	17.5	7.8	54722-0207	20
キャリアテープ幅 CARRIER TAPE WIDTH		B	(A)	極数 CIRCUIT
MODEL NO.		54722-***7		DIMENSIONS: <input type="checkbox"/> mm <input type="checkbox"/> INCH <input checked="" type="checkbox"/> mm ONLY
DRAWN BY & DATE S.AIHARA '00/10/ 6		TITLE: 0.5 B-To-B Conn Rec Assy (Hgt=1.5) Embstp Pkg		
CHECKED BY & DATE M.SASAO '03/03/31		APPROVED BY & DATE M.SASAO '03/03/31		
CAD FILENAME 54722008.S02		MATERIAL NO. SEE CHART		DRAWING NO. SD-54722-008
THIS DRAWING CONTAINS INFORMATION THAT IS PROPRIETARY TO MOLEX INCORPORATED AND SHOULD NOT BE USED WITHOUT WRITTEN PERMISSION.		SIZE B		SHEET NO. 2 OF 5

54722008.S02

V

B

A



REV	DESCRIPTION
REVISED J2004-1680	
K.SETO '03/12/22	
H.TAKASE	
J.MIYAZAWA	
REVISED J2003-2517	
S.AIHARA '03/03/31	
M.SASAO	
M.SASAO	
REVISED J2003-1929	
T.YASUI '03/11/23	
T.IITO	
T.IITO	
REVISED J2003-1468	
T.YASUI '02/11/25	
T.IITO	
T.YAMAGUCHI	

SHEET 1 OF 5 参照
REFER TO SHEET 1 OF 5

GENERAL TOLERANCES:
(UNLESS SPECIFIED)

MODEL NO.	54722-***7	DIMENSIONS:	SHT	REV	
CARRIER TAPE WIDTH	B	(A)	MATERIAL NO.	極数	
CARRIER TAPE WIDTH	24	25.5	15.3	54722-0507	50
			14.3	54722-0467	46
			12.8	54722-0407	40
			11.3	54722-0347	34
			10.3	54722-0307	30
			8.8	54722-0247	24
			8.3	54722-0227	22
TITLE:		0.5 B-to-B Conn Rec Assy (Ngt-1.5) Embstrip Pkg			
DRAWN BY & DATE		S.AIHARA '00/10/6			
CHECKED BY & DATE		M.SASAO '03/03/31			
APPROVED BY & DATE		M.SASAO '03/03/31			
CAD FILENAME	MATERIAL NO.	DRAWING NO.	SHEET NO.		
54722008.503	SEL CHART	SD-54722-008	3 OF 5		
THIS DRAWING CONTAINS INFORMATION THAT IS PROPRIETARY TO MOLEX INCORPORATED AND SHOULD NOT BE DISCLOSED					

SD-54722-008-003

DWG. NO. SD-54722-008

F

D

C

B

DO NOT SCALE DRAWING

8 7 6 5 4 3 2 1

F

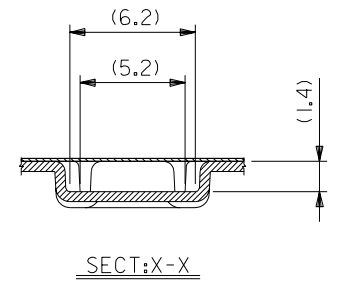
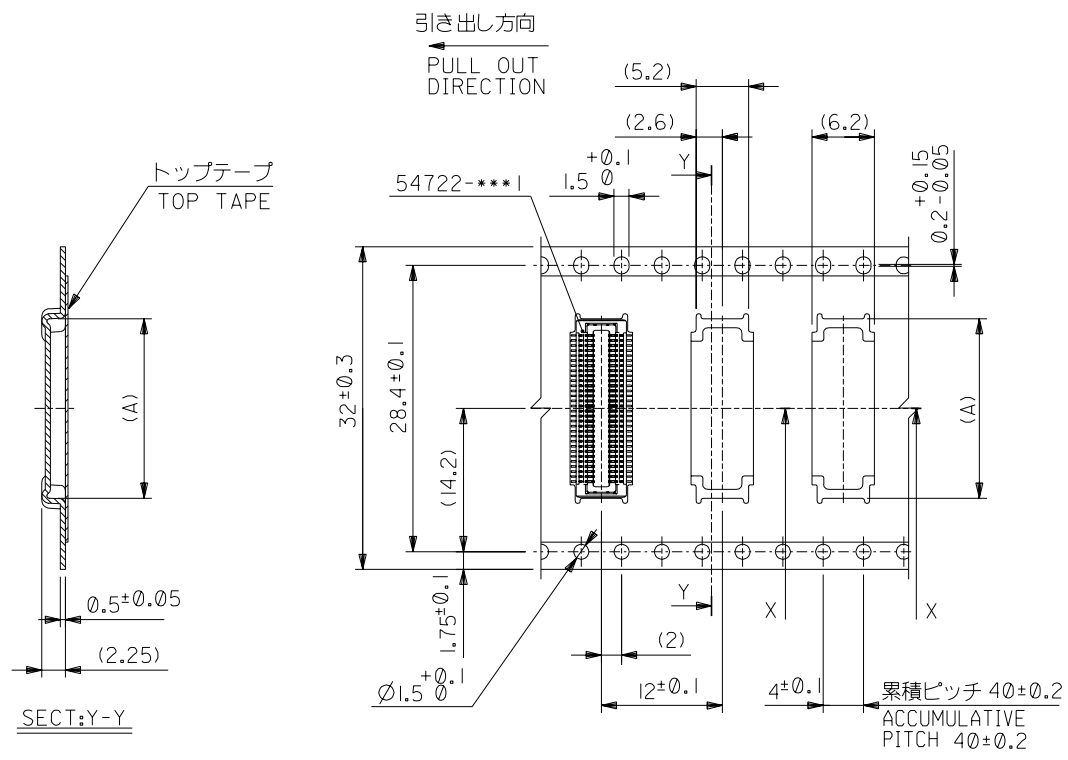
E

D

C

B

A



32mm幅キャリアテープ
32mm WIDTH CARRIER TAPE

32	33.5	17.8	54722-0607	60
キャリアテープ幅 CARRIER TAPE WIDTH		B	(A)	極数 CIRCUIT
MODEL NO.		54722-***7		DIMENSIONS: SHT REV
				REVISION ON CAD ONLY

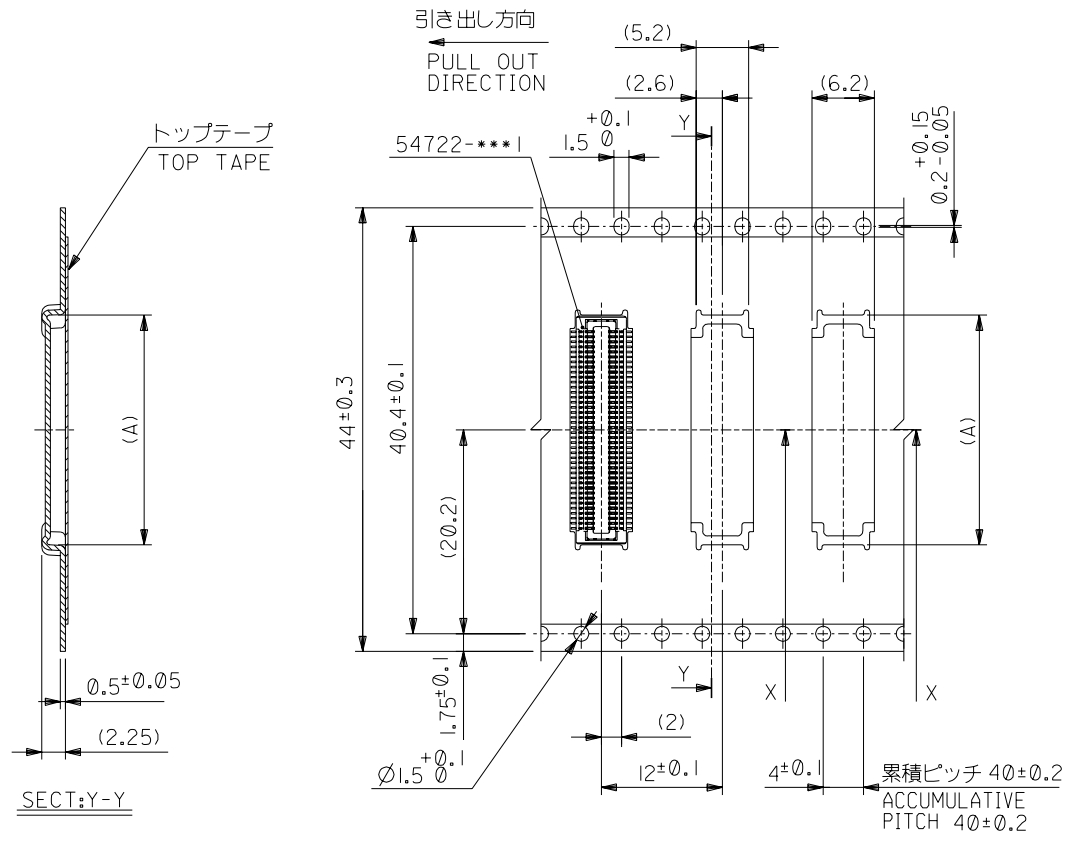
EC NO.	REVISED	EC NO.	REVISED	EC NO.	REVISED	EC NO.	REVISED	MATERIAL
DRWN: K.SETO	J2004-1680	DRWN: S.AIHARA	J2003-2517	DRWN: T.YASUI	J2003-1929	DRWN: T.YASUI	J2003-1468	材料
CHK: H.TAKASE	'03/12/22	CHK: M.SASAO	'03/03/31	CHK: T.IITO	'03/11/23	CHK: T.IITO	'02/11/25	SHEET 1 OF 5 参照 REFER TO SHEET 1 OF 5
APPR: J.MIYAZAWA		APPR: M.SASAO		APPR: T.IITO		APPR: T.YAMAGUCHI		FINISH
								仕上げ
								WIRE RANGE
								適用 被覆範囲
								INS. RANGE
								被覆 外径

GENERAL TOLERANCES: (UNLESS SPECIFIED) 一般公差	SCALE	DESIGN UNITS	THIRD ANGLE PROJECTION
10 UNDER 未満	///	mm INCH	☉
10 OVER 30 UNDER 未満		mm ONLY	☐
30 OVER 以上			☒
ANGLE 角度			☒

DRAWN BY & DATE T.YASUI '02/11/25	TITLE: 0.5 B-To-B Conn Rec Assy (Hgt=1.5) Embstp Pkg
CHECKED BY & DATE M.SASAO '03/03/31	MOLEX INCORPORATED
APPROVED BY & DATE M.SASAO '03/03/31	
CAD FILENAME 54722008.S05	MATERIAL NO. SEE CHART
	DRAWING NO. SD-54722-008
	SHEET NO. 4 OF 5

THIS DRAWING CONTAINS INFORMATION THAT IS PROPRIETARY TO MOLEX INCORPORATED AND SHOULD NOT BE USED WITHOUT WRITTEN PERMISSION.

DWG. NO. SD-54722-008



44mm幅キャリアテープ
44mm WIDTH CARRIER TAPE

44	45.5	22.8	54722-0807	80
キャリアテープ幅 CARRIER TAPE WIDTH		B	(A)	極数 CIRCUIT
MODEL NO.		54722-***7		DIMENSIONS: <input type="checkbox"/> mm <input type="checkbox"/> INCH <input checked="" type="checkbox"/> mm ONLY
				SHT REV REVISE ON CAD ONLY

EC NO.	REVISED	EC NO.	REVISED	EC NO.	REVISED	EC NO.	REVISED	EC NO.	REVISED
DRWN: K.SETO '03/12/22	EC NO. J2004-1680	DRWN: S.AIHARA '03/03/31	EC NO. J2003-2517	DRWN: T.YASUI '03/11/23	EC NO. J2003-1929	DRWN: T.YASUI '02/11/25	EC NO. J2003-1468	DRWN: T.YASUI '02/11/25	EC NO. J2003-1468
CHK: H.TAKASE	CHK: H.TAKASE	CHK: M.SASAO	CHK: M.SASAO	CHK: T.IITO	CHK: T.IITO	CHK: T.IITO	CHK: T.IITO	CHK: T.IITO	CHK: T.IITO
APPR: J.MIYAZAWA	APPR: J.MIYAZAWA	APPR: M.SASAO	APPR: M.SASAO	APPR: T.IITO	APPR: T.IITO	APPR: T.IITO	APPR: T.IITO	APPR: T.IITO	APPR: T.IITO

MATERIAL 材料	SHEET 1 OF 5 参照 REFER TO SHEET 1 OF 5	
FINISH 仕上げ	//	
WIRE RANGE 適用線径範囲	//	
INS. RANGE 被覆外径	//	

GENERAL TOLERANCES: (UNLESS SPECIFIED) 一般公差	SCALE 1:1	DESIGN UNITS <input checked="" type="checkbox"/> mm <input type="checkbox"/> INCH	THIRD ANGLE PROJECTION <input checked="" type="checkbox"/> THIRD ANGLE
10 UNDER 未満	±0.2	DRAWN BY & DATE T.YASUI '02/03/06	
10 OVER 以上 30 UNDER 未満	±0.25	CHECKED BY & DATE M.SASAO '03/03/31	
30 OVER 以上	±0.3	APPROVED BY & DATE M.SASAO '03/03/31	
ANGLE 角度	±3°	CAD FILENAME 54722008.S04	

TITLE: 0.5 B-To-B Conn Rec Assy (Hgt=1.5) Embstp Pkg			
MOLEX MOLEX INCORPORATED			
MATERIAL NO. SEE CHART	DRAWING NO. SD-54722-008	SHEET NO. 5 OF 5	
THIS DRAWING CONTAINS INFORMATION THAT IS PROPRIETARY TO MOLEX INCORPORATED AND SHOULD NOT BE USED WITHOUT WRITTEN PERMISSION.			
			SIZE B

DO NOT SCALE DRAWING