

MICRO SWITCH

FREEMONT ILLINOIS, U.S.A
A DIVISION OF HONEYWELL
FED. MFG. CODE 91929

SWITCH - BASIC

CATALOG LISTING
BA-2RV219-D68

BA-2RV219-D68
PAGE 1 OF 1

M

DRAWING NUMBER

ISSUE

5

REPLACES X66905-BA

RELEASE NO. PR-6835-T

CHECK

REVISIONS

A	CO47128
J	A P
8	FEB 80
B	CO
	77590
	SAD
9	JUN 94
C	CO-82886
	JALA
	23 APR 96
D	CO93346
	DLT
	26 AUG 98

CHECK

21 NOV 77

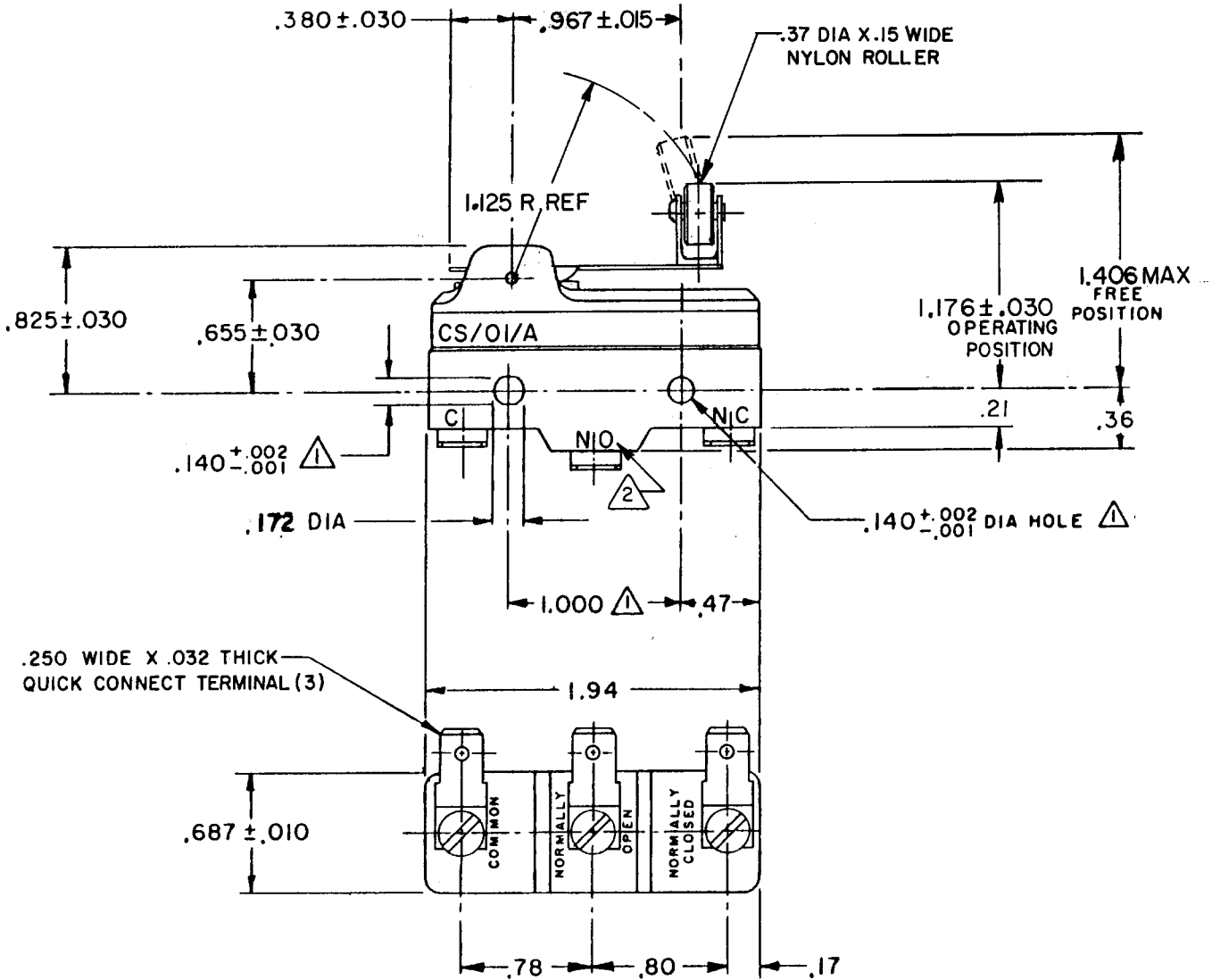
CHECK

21 NOV 77

FORMTEK

FO-52848-A

DRAWN

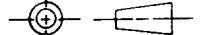


NOTE

- 1 - MOUNTING HOLES WILL ACCEPT PINS OR SCREWS OF .139 MAX DIA ON 1.000 ± .002 CENTERS
- 2 - STAMP ON LEFT SIDE OF SWITCH AS SHOWN

THIS DRAWING COVERS A PROPRIETARY ITEM AND IS THE PROPERTY OF MICRO SWITCH, A DIVISION OF HONEYWELL. THIS DRAWING IS NOT TO BE COPIED OR USED WITHOUT THE APPROVAL OF MICRO SWITCH.

THIRD ANGLE PROJECTION



CHARACTERISTICS

OPERATING FORCE ----- 6 OZ MAX
RELEASE FORCE ----- 1 1/2 OZ MIN
DIFFERENTIAL TRAVEL --- .030 MAX
OVERTRAVEL ----- .030 MIN

ELECTRICAL DATA

CONTACT ARRANGEMENT
SPDT

UNDERWRITERS' LAB. INC. LISTED RATING
20A-125, 250 OR 480 VAC; 10A-125 VAC "L"
1HP-125 VAC; 2HP-250 VAC
-L23- 1/2A-125 VDC; 1/4A-250 VDC

L288
L299
L308



20(3)A 250V ~ T85 5E4

SCALE FULL

DO NOT SCALE PRINT

APPLY TO DESIGN UNITS. CONVERSIONS ARE ONLY FOR REFERENCE. UNLESS NOTED, TOLERANCES ARE ±

	DIM.		TOL.	
	mm	mm/in	in	mm/in
NO PLACES	X	1/04	X X	0.87/03
ONE PLACE	X,X	0.4/018	X X X	0.36/015
TWO PLACES	X,XX	0.15/006	X X X X	0.13/005
THREE PLACES	X,XXX		X X X X X	
ANGLES				

DESIGN UNITS SI METRIC

US CUSTOMARY

WEIGHT