

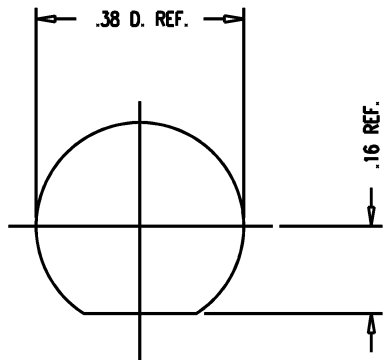
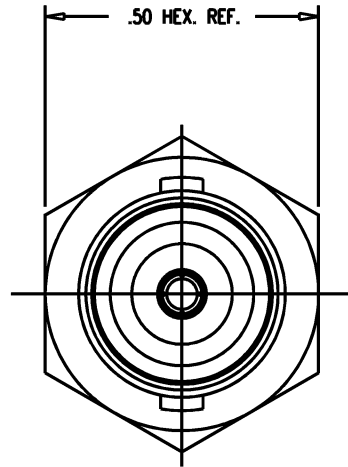
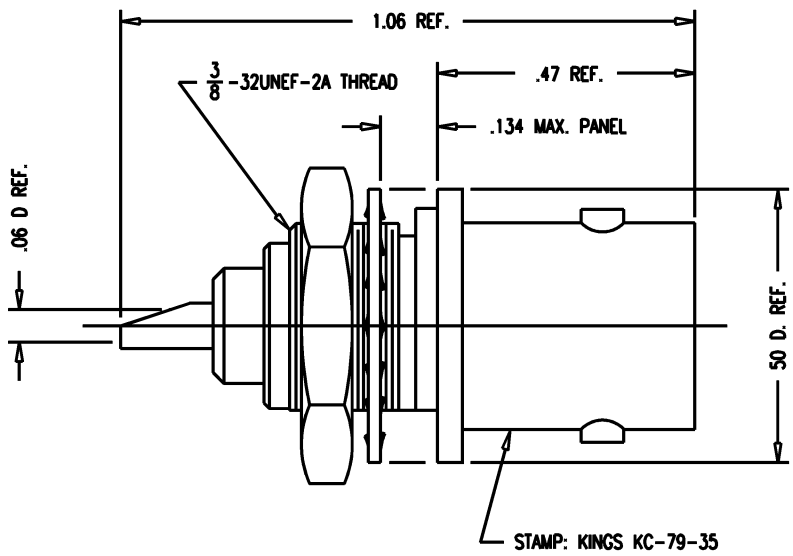
DASH NO.	M CODE	MADE FROM
----------	--------	-----------

GSD

KC-79-35

REVISIONS

ISSUE	CHANGES
5	CN 37074 C REDRAWN KH 08/06/96



- NOTES:
1. SAME AS UG-1094/U EXCEPT FOR FINISH & MARKING.
 2. MATERIALS:
 INSULATOR: TEFLON, ASTM-D-4894
 LOCKWASHER: PHOSPHOR BRONZE, ASTM-B103
 CENTER CONTACT: BER. COPPER, ASTM-B-196
 ALL OTHER METAL PARTS: BRASS, ASTM-B16
 3. FINISHES:
 CENTER CONTACT: HARD GOLD PLATE PER ASTM-G-45204
 ALL OTHER METAL PARTS: KINGS TARNISH RESISTANT NICKEL FINISH (TR-5)
 4. ELECTRICAL CHARACTERISTICS:
 NOMINAL IMPEDANCE: 50 OHMS
 WORKING VOLTAGE: 500 VRMS
 FREQUENCY RANGE: DC TO 4GHz.

WJMO228

SCALE 4:1

APPROX SURFACE AREA

USED ON

REF:

RECEPTACLE,
BULKHEAD, BNC

DRAWN	WJM	DATE	05/31/90
-------	-----	------	----------

DESIGN	MJB	DATE	06/07/90
--------	-----	------	----------

APPR.		DATE	
-------	--	------	--

KINGS
ELECTRONICS CO., INC.
TUCKAHOE, NEW YORK 10707

KC-79-35

GSD