

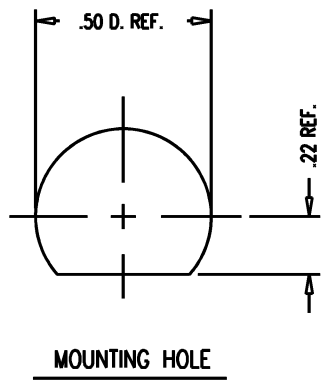
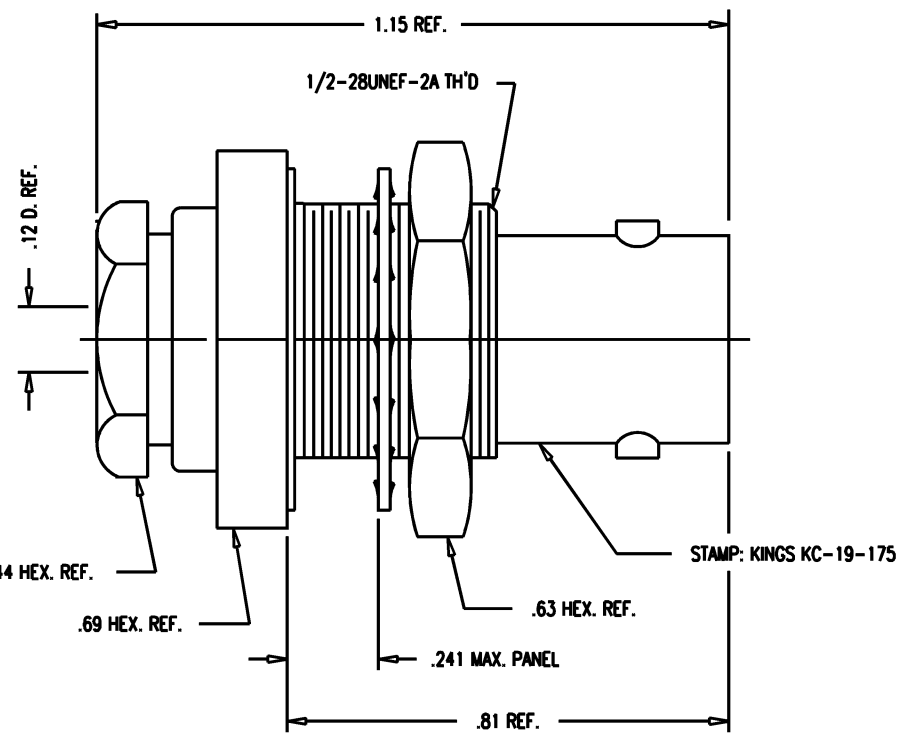
DASH NO.	M CODE	MADE FROM
----------	--------	-----------

GSD

KC-19-175

REVISIONS

ISSUE	CHANGES
3	CN 37183 A REDRAWN KH 11/17/96



- NOTES:
- FOR USE WITH RG-174, 179, 187, 188 CABLES.
 - FOR CABLING INSTRUCTIONS SEE CP-1004.1
 - INTERFACE PER MIL-STD-348, FIG. 301-2.
 - MATERIALS:
INSULATORS: TEFLON, ASTM-D-4894
LOCKWASHER: PHOSPHOR BRONZE, ASTM-B-103
GASKETS: SILICONE RUBBER, ZZ-R-765
CENTER CONTACT: BER. COPPER, ASTM-B-196
ALL OTHER METAL PARTS: BRASS, ASTM-B16
 - FINISHES:
CENTER CONTACT: GOLD PLATE PER MIL-G-45204
ALL OTHER METAL PARTS: KINGS TARNISH RESISTANT NICKEL FINISH (TR-5)
 - ELECTRICAL CHARACTERISTICS:
NOMINAL IMPEDANCE: 50 OHMS
WORKING VOLTAGE: 500 VRMS
FREQUENCY RANGE: DC TO 4 GHz.

SCALE 4:1

APPROX SURFACE AREA

USED ON

REF: GRUMMAN GC811EN2 REV. A

JACK, BULKHEAD, BNC

DRAWN KH 04/27/96

DESIGN LI 04/27/96

APPR. DATE

KINGS
ELECTRONICS CO., INC.
TUCKAHOE, NEW YORK 10707

GSD

KC-19-175

KAM6880