

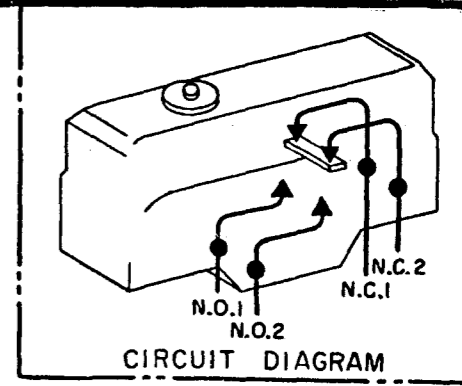
MICRO SWITCH

FREEPORT, ILLINOIS, U.S.A.
A DIVISION OF HONEYWELL

FED. MFG. CODE 91929

SWITCH - BASIC

CATALOG LISTING
BZ-2AQ1842-PC2



M BZ-2AQ1842-PC2

DRAWING NUMBER

ISSUE 7

CHECK

REVISIONS

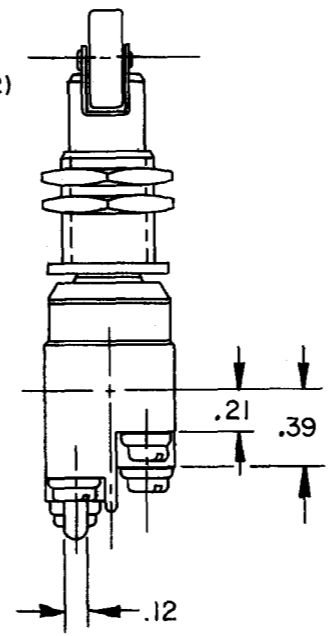
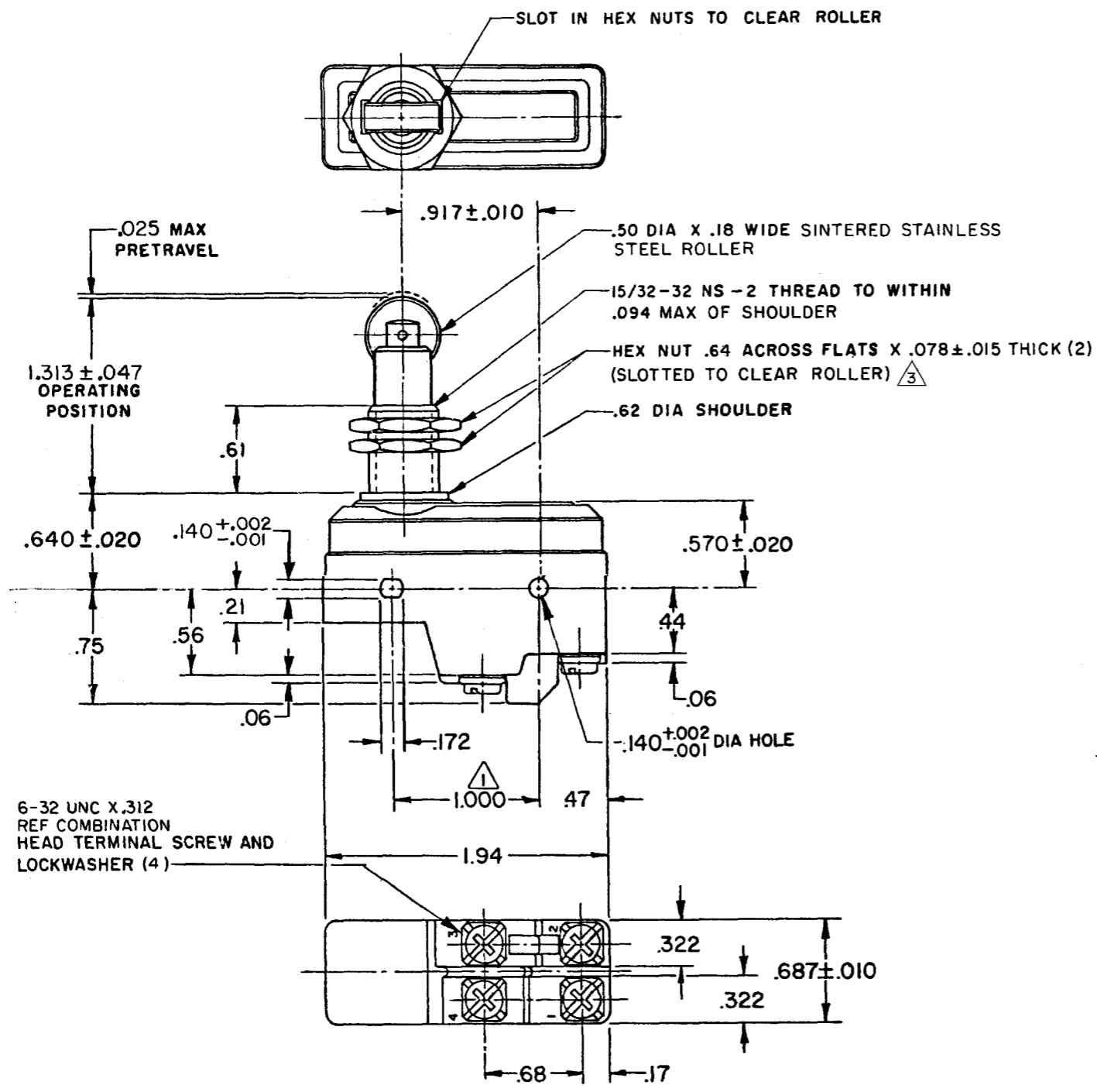
A	CO45324	J A P	31 JAN 79
B	CO62404	T L B	29 JAN 88
C	CO-67851-A	B A B	14 AUG 90
D	CO-71942-A	J W B	18 SEP 92
E	CO-77426-B	D L T	29 JUN 94
F	CO-82133	CSL	1 AUG 96

CHECK

CHECK

FORMTEK
FO-8285 1-A
DRAWN
J A L 14 JUN 76

REPLACES X62932-BZ
RELEASE NO. PR-5882
14 JUN 76
14 JUN 76



THIS DRAWING COVERS A PROPRIETARY ITEM AND IS THE PROPERTY OF MICRO SWITCH, A DIVISION OF HONEYWELL. THIS DRAWING IS NOT TO BE COPIED OR USED WITHOUT THE APPROVAL OF MICRO SWITCH.

THIRD ANGLE PROJECTION

SCALE FULL

DO NOT SCALE PRINT

CHARACTERISTICS	
OPERATING FORCE	14-24 OZ
RELEASE FORCE	4 OZ MIN
DIFFERENTIAL TRAVEL	.001-.004
OVERTRAVEL	.141 MIN

ELECTRICAL DATA	
CONTACT ARRANGEMENT SEE CIRCUIT DIAGRAM	
UL LISTED - FILE E12252 CODE L73 15A-125, 250 OR 480 VAC 1A-125 VDC; 0.5A-250 VDC 1/4HP-125 VAC; 1/2HP-250 VAC	

TOLERANCES			
APPLY TO DESIGN UNITS. CONVERSIONS ARE ONLY FOR REFERENCE. UNLESS NOTED, TOLERANCES ARE ±			
DIM.	TOL.	DIM.	TOL.
mm	mm/in	in	mm/in
NO PLACES	X	1/04	
ONE PLACE	X,X	0.4/018	X,X 0.81/03
TWO PLACES	X,XX	0.15/008	X,XX 0.38/016
THREE PLACES	X,XXX		X,XXX 0.12/005
ANGLES			
SI METRIC		US CUSTOMARY	
DESIGN UNITS		RAW MATERIAL-COMMERCIAL STANDARD	
		MICRO SWITCH STANDARDS APPLY	
		DIMENSIONS ARE TO BE MET BEFORE PROTECTIVE COATINGS ARE APPLIED	
WEIGHT			

- NOTES
- ① MOUNTING HOLES WILL ACCEPT PINS OR SCREWS OF .139 MAX DIA ON 1.000 ± .002 CENTERS
 - 2 - SUITABLE ONLY FOR APPLICATIONS IMPARTING A RAPID STROKE TO THE SWITCH PLUNGER
 - ③ HARDWARE FURNISHED UNASSEMBLED