

MICRO SWITCH

A DIVISION OF MINNEAPOLIS-HONEYWELL REGULATOR COMPANY
MINNEAPOLIS, MINNESOTA

FED. MFR. CODE 91929

SWITCH - BASIC

CATALOG LISTING

WZ-2RW822-A2

AVF2000

WZ-2RW822-A2
PAGE 1 OF 1

M

DRAWING NUMBER

ISSUE 13

REVISIONS

A	CO 16736	GCH	19 MAY 62
B	CO34306	RER	18 JUL 75
C	CO 52446	WJM	1 FEB 83
D	CO 70184-H	GRT	2 JUN 92
E	CO-73287-J	CO-	22 NOV 93
F	CO-75204-B	WLS	1 FEB 94
G	CO-77591	DAW	22 JUN 94
H	CO 79125	SAD	30 NOV 94
J	CO93346	DLT	2 SEP 98
K	0018449	TGP	18 FEB 06

FORMTEK
FO-80376

CO-80376

REPLACES

RELEASE NO.

CHECK

18 FEB 06

RJ

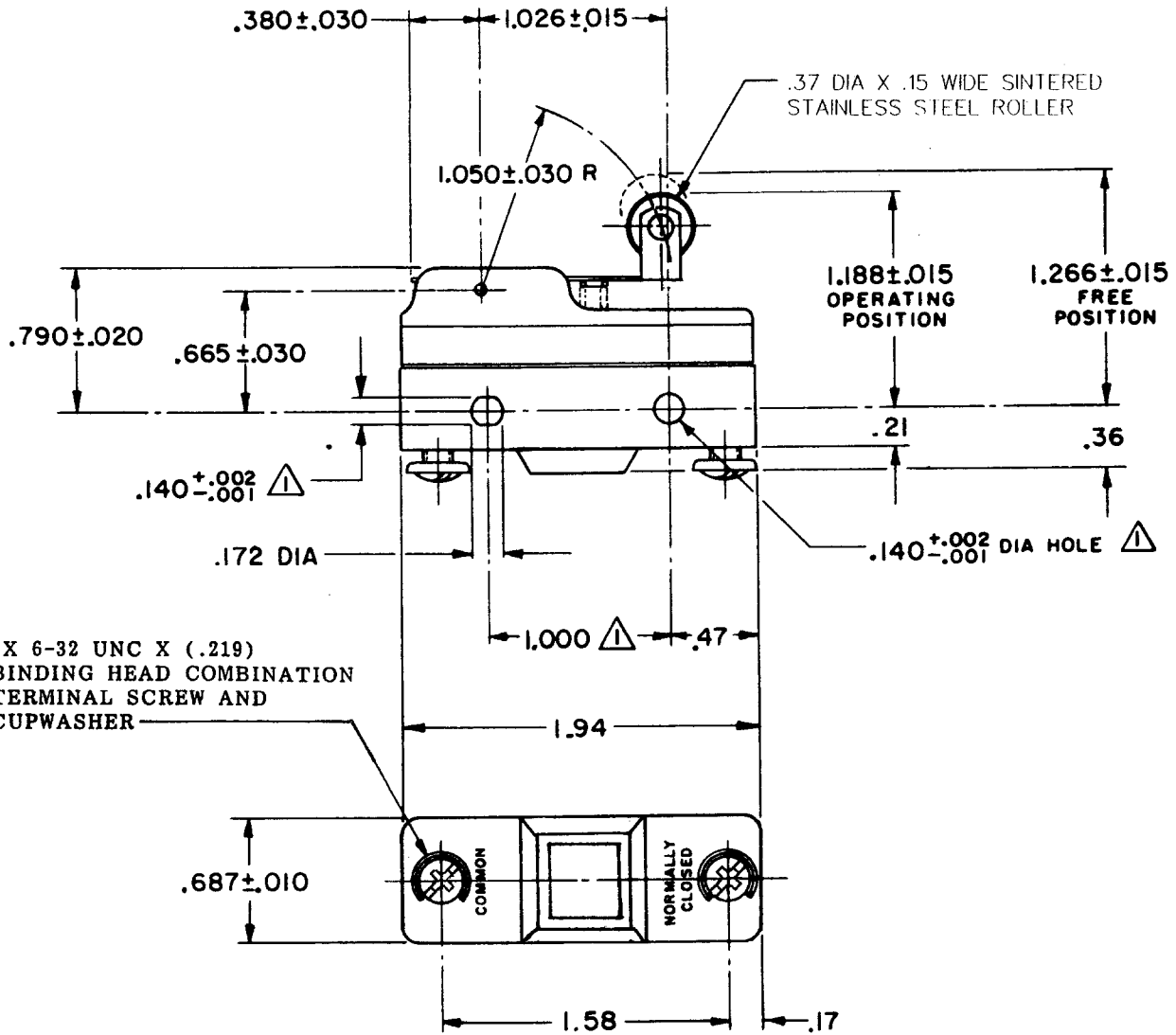
CHECK

21 SEPT 62

DAW

CHECK

19 MAY 62



2X 6-32 UNC X (.219)
BINDING HEAD COMBINATION
TERMINAL SCREW AND
CUPWASHER

NOTE -
▲ MOUNTING HOLES WILL ACCEPT PINS OR SCREWS
OF .139 MAX DIA ON 1.000 ± .002 CENTERS

THIS DRAWING COVERS A PROPRIETARY ITEM AND IS THE PROPERTY OF MICRO SWITCH, A DIVISION OF MINNEAPOLIS-HONEYWELL REGULATOR CO. THIS DRAWING IS NOT TO BE COPIED OR USED WITHOUT THE APPROVAL OF MICRO SWITCH.

CHARACTERISTICS

OPERATING FORCE ----- 6 OZ MAX

RELEASE FORCE ----- 1 1/2 OZ MIN





DIFFERENTIAL TRAVEL ----- .003 - .020

OVERTRAVEL ----- .094 MIN

ELECTRICAL DATA

CONTACT ARRANGEMENT
S P N C

-L74- 15 A-125, 250, OR 480 VAC; 2A-600 VAC
1/2 A-125 VDC; 1/4 A-250 VDC
1/8 HP-125 VAC; 1/4 HP-250 VAC

-L288-    

-L306- 16A 250V ~ T85 5E4

-L315-

SCALE FULL

DO NOT SCALE PRINT

UNLESS OTHERWISE SPECIFIED
DIMENSIONS ARE IN INCHES

TOLERANCES ARE:

ONE PLACE	(.0)	±.030
TWO PLACE	(.00)	±.015
THREE PLACE	(.000)	±.005
ANGLES		±

WEIGHT .076 LB