

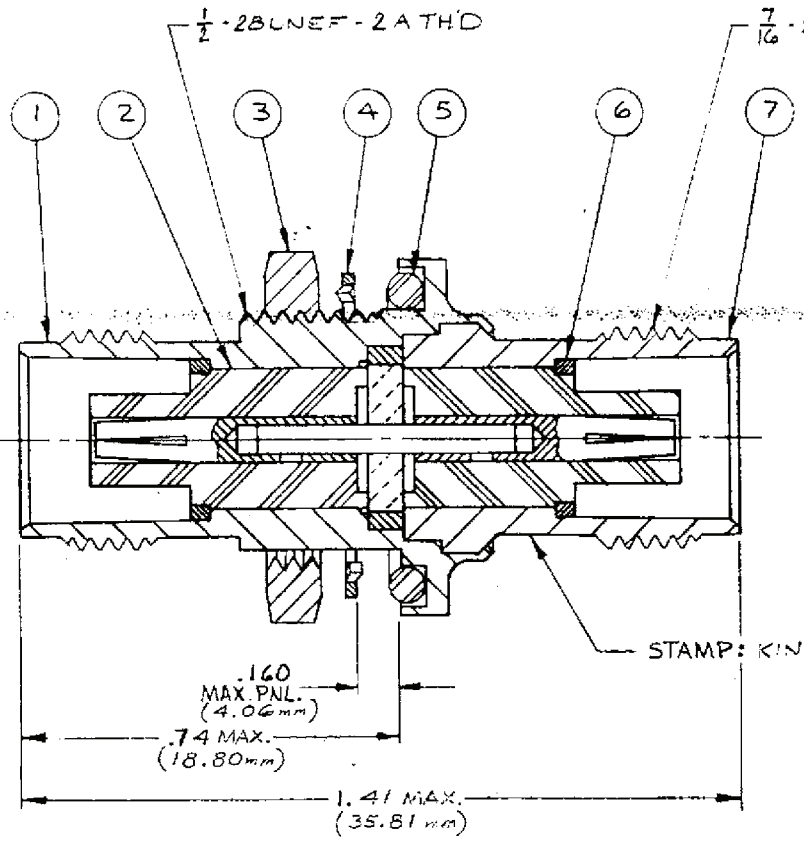
DASH NO. M CODE MADE FROM

S-D

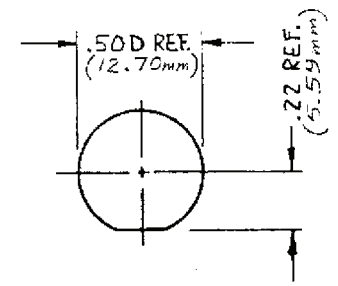
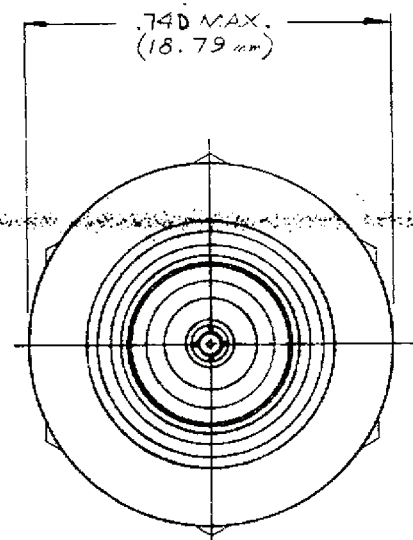
KA-99-50

REVISIONS

REV	CHANGES
1	CN 23930 C REDRAWN M.D. 8 NOV 82



STAMP: KINGS KA-99-50



MOUNTING HOLE

S-D

SCALE 4:1	
APPROX SURFACE AREA	
USECON	
REF	
TNC F-F BULKHEAD ADAPTER HERM.	
DRAWN M.D.	DATE 8 NOV 82
APP'D PL5	DATE 17 NOV 82

KA-99-50

S-D

UNLESS OTHERWISE SPECIFIED:

1. TOLERANCES FRACTIONS & 2 PLACE DECIMALS ± .010	2. REMOVE ALL BURRS, BREAK SHARP EDGES .005 MAX.
3 PLACE DECIMALS ± .004	3. NO FILLETS PERMITTED.
T & R CONCENTRICITY OF ANY 2 DIAMETERS MAY NOT EXCEED HALF THE SUM OF THEIR TOLERANCES	4. SURFACE ROUGHNESS 63 MICROINCHES RMS MAX
	5. ALL DIMENSIONS PRIOR TO PLATING
	6. ALL PLATING IN ACCORDANCE WITH KER 10004.