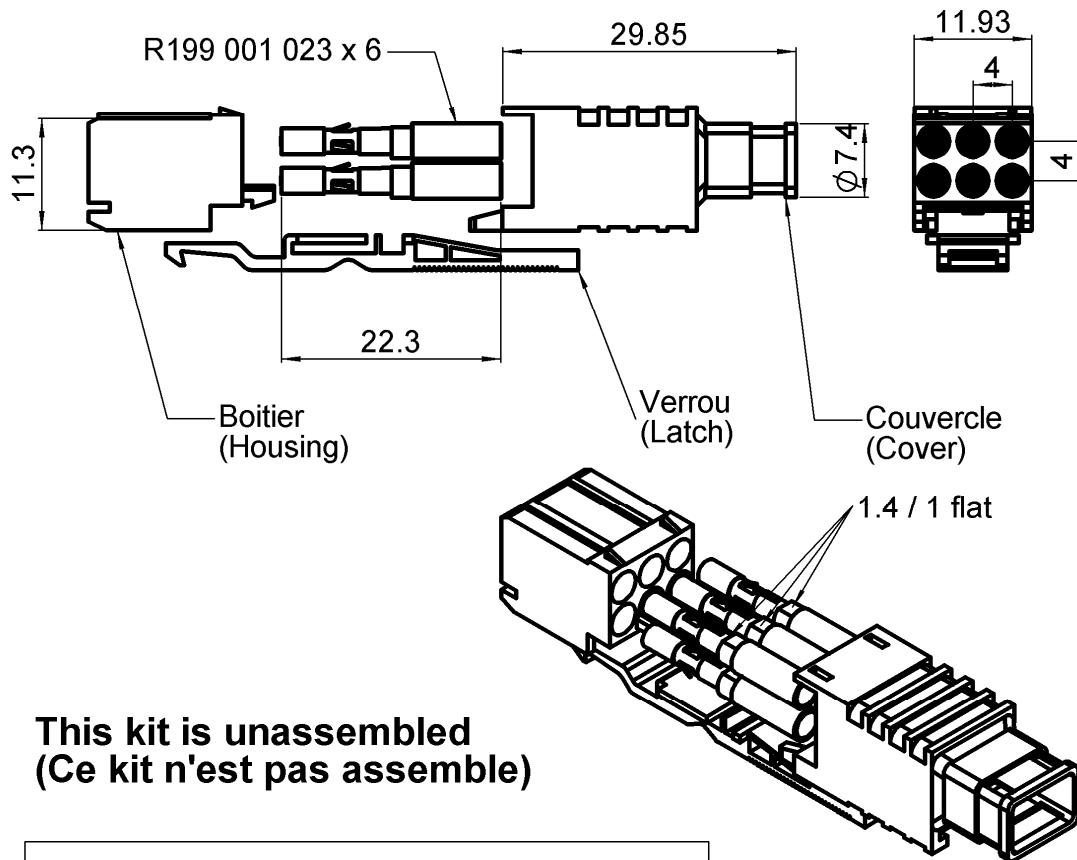


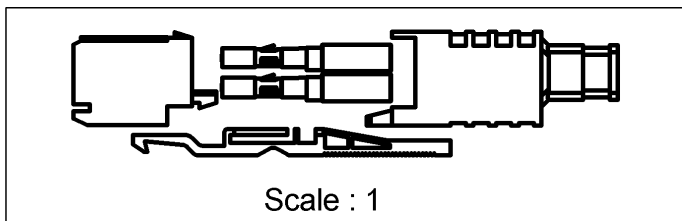
STR. FEMALE MODULE 6 CRIMP TYPE INSERTS
COAX FOR 2.6/50 CABLE

R694.252.537

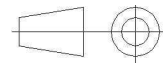
Series : MCC2



This kit is unassembled
(Ce kit n'est pas assemble)



All dimensions are in mm.



COMPONENTS	MATERIALS	PLATING (µm)
BODY	BRASS	NPGR
CENTER CONTACT	BERYLLIUM COPPER	NPGR
OUTER CONTACT	-	-
INSULATOR	PTFE+PEEK	-
GASKET	-	-
OTHERS PARTS	LIQUID CRYSTAL POLYMER	-
.	-	-
.	-	-

Issue : 1013 F

In the effort to improve our products, we reserve the right to make changes judged to be necessary.



STR. FEMALE MODULE 6 CRIMP TYPE INSERTS

R694.252.537

COAX FOR 2.6/50 CABLE

Series : MCC2

PACKAGING

Standard	Unit	Other
100	-	Contact us

SPECIFICATION

ELECTRICAL CHARACTERISTICS

Impedance		50 Ω
Frequency		0-6 GHz
VSWR	1.5* +	0,0000 x F(GHz) Maxi
Insertion loss		0.2 √F(GHz) dB Maxi
RF leakage	- (- F(GHz)) dB Maxi
Voltage rating		500 Veff Maxi
Dielectric withstanding voltage		750 Veff mini
Insulation resistance		5000 MΩ mini

CABLE ASSEMBLY

Stripping	a	b	c	d	e	f
mm	2,50	5,00	10,5	0,00	8,00	0,00

Assembly instruction : **Crimp 02**

Recommended cable(s)

RG 316
KX 22A
RG 188

Characteristics indicated on this data sheet are those that can be achieved with the highest performance cable. Intrinsic limitations of the cable may diminish the performance of the assembly

Cable retention

- pull off **53** N mini
- torque **NA** N.cm

MECHANICAL CHARACTERISTICS

Center contact retention		
Axial force – Mating end	NA	N mini
Axial force – Opposite end	NA	N mini
Torque	NA	N.cm mini

TOOLING

Part Number	Description	Hexagon
.	.	.
R282.211.000	CRIMPING TOOL	3.25
. Or spare tools	-	
R282.293.000	CRIMPING TOOL M22520/5-01	
R282.235.003	CRIMPING DIES M22520/5-03	3.25
. And - (et)		
R282.281.000	CRIMPING TOOL	2X4 pos 4
R282.967.030	POSITIONER FOR TOOL R282 281 000	

Recommended torque		
Mating	NA	N.cm
Panel nut	NA	N.cm
Clamp nut	NA	N.cm
A/F clamp nut	0,0000	mm
Mating life	500	Cycles mini
Weight	5,4700	g

ENVIRONMENTAL

Operating temperature	-25/+125	°C
Hermetic seal	NA	Atm.cm3/s
Panel leakage	NA	

OTHER CHARACTERISTICS

* 0 to 3 GHz

Issue : 1013 F

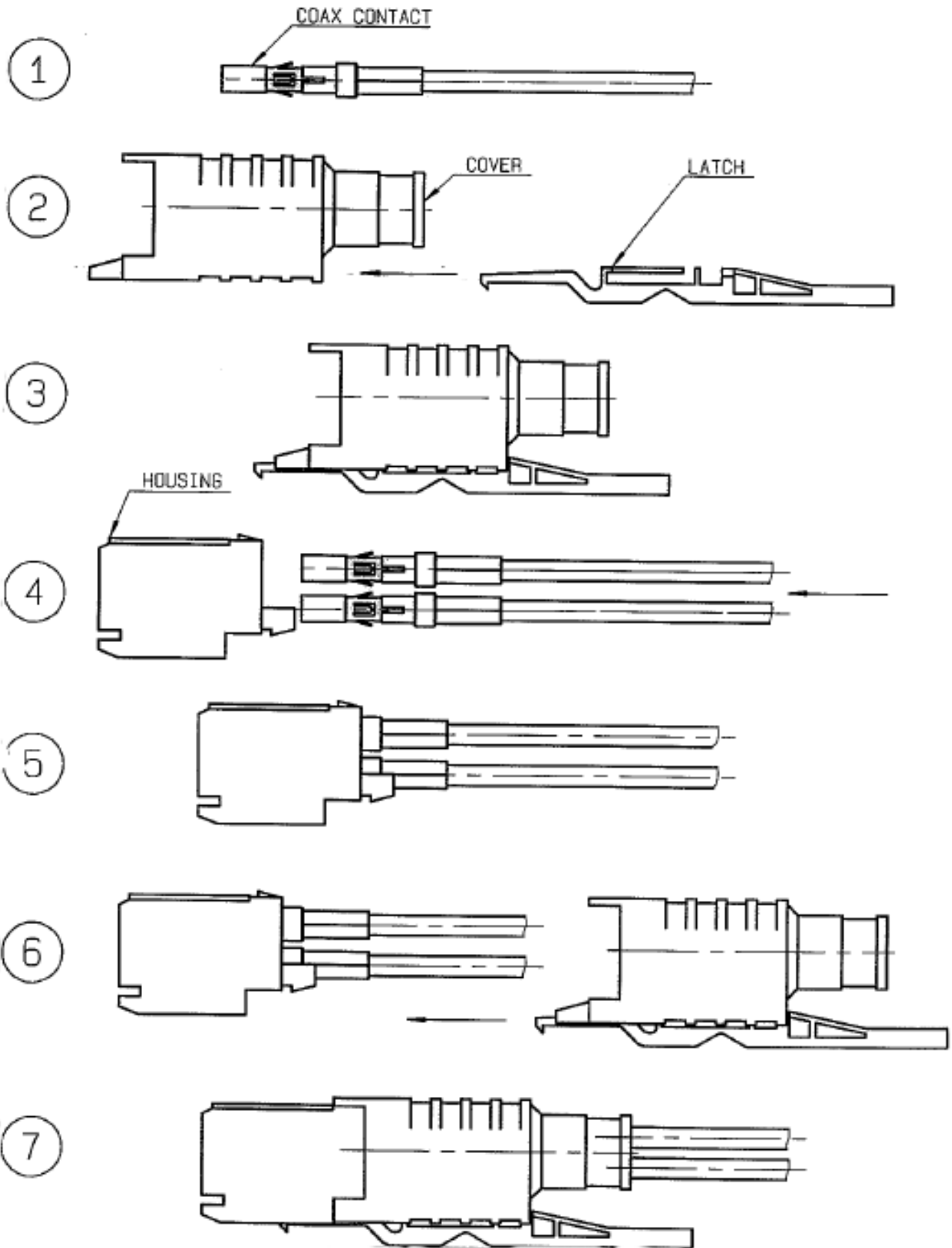
In the effort to improve our products, we reserve the right to make changes judged to be necessary.



STR. FEMALE MODULE 6 CRIMP TYPE INSERTS
COAX FOR 2.6/50 CABLE

R694.252.537

Series : MCC2



Issue : 1013 F

In the effort to improve our products, we reserve the right to make changes judged to be necessary.



RADIALL®