

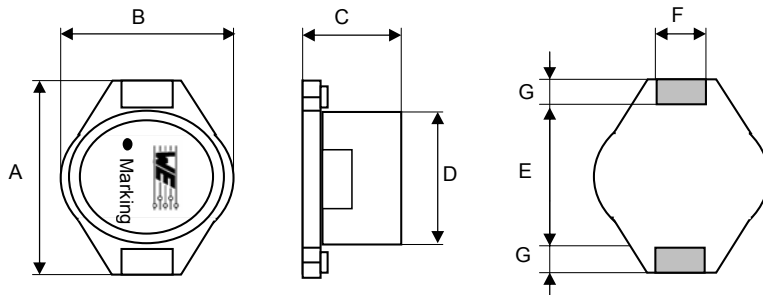
Spezifikation für Freigabe / specification for release

Kunde / customer : _____
 Artikelnummer / part number : **74459147**
 Bezeichnung : **SPEICHERDROSSEL WE-PD 3**
 description : **POWER-CHOKE WE-PD 3**



DATUM / DATE : 2004-02-26

A Mechanische Abmessungen / dimensions:



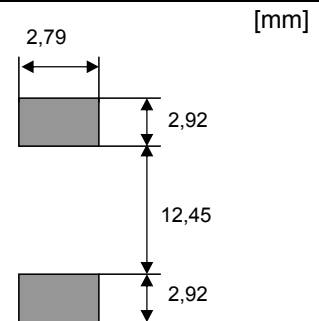
| Typ X | | |
|-------|-------------------|----|
| A | 18,54 max. | mm |
| B | 15,24 max. | mm |
| C | 7,62 max. | mm |
| D | 12,7 ± 0,3 | mm |
| E | 12,7 ± 0,3 | mm |
| F | 2,54 ref. | mm |
| G | 2,54 ref. | mm |

● = Start of winding Marking = Inductance code

B Elektrische Eigenschaften / electrical properties :

| Eigenschaften / properties | Testbedingungen / test conditions | | Wert / value | Einheit / unit | tol. |
|--|-----------------------------------|---------------------|--------------|----------------|-------|
| Induktivität / inductance | 100 kHz / 0,1V | L | 47,0 | μH | ± 20% |
| DC-Widerstand / DC-resistance | @ 20°C | R _{DC typ} | 0,085 | Ω | typ. |
| DC-Widerstand / DC-resistance | @ 20°C | R _{DC max} | 0,097 | Ω | max. |
| Nennstrom / rated current | ΔT= 40 K | I _{DC} | 2,80 | A | max. |
| Sättigungsstrom / saturation current | ΔL/L < 20% | I _{sat} | 4,00 | A | typ. |
| Eigenres.-Frequenz / self-res.-frequency | | SRF | 10,0 | MHz | typ. |

C Lötpad / soldering spec.:



D Prüfgeräte / test equipment:

HP 4274 A für/for L und/and Q
HP 34401 A für/for I_{DC} und/and R_{DC}

E Testbedingungen / test conditions:

Luftfeuchtigkeit / humidity: 33%
 Umgebungstemperatur / temperature: +20°C

F Werkstoffe & Zulassungen / material & approvals:

Basismaterial / base material: Ferrit/ ferrite
 Draht / wire: 2 UEW 130°C
 Kontaktmaterial/ contact plating: Cu-tinned
 Sockel/ base: UL94V-0

G Eigenschaften / general specifications:

Betriebstemp. / operating temperature: -40°C - + 125°C
 Umgebungstemp. / ambient temperature: -40°C - + 85°C
 It is recommended that the temperature of the part does not exceed 125°C under worst case operating conditions.

| | | | |
|-------------------------------------|--------------------------|-------------------------|--------------|
| Freigabe erteilt / general release: | Kunde / customer | | |
| | | | |
| Datum / date | Unterschrift / signature | | |
| | Würth Elektronik | | |
| Geprüft / checked | Kontrolliert / approved | | |
| | Name | Änderung / modification | Datum / date |

Würth Elektronik eiSos GmbH & Co. KG

D-74638 Waldenburg · Max-Eyth-Strasse 1 · Germany · Telefon (+49) (0) 7942 - 945 - 0 · Telefax (+49) (0) 7942 - 945 - 400
<http://www.we-online.de>

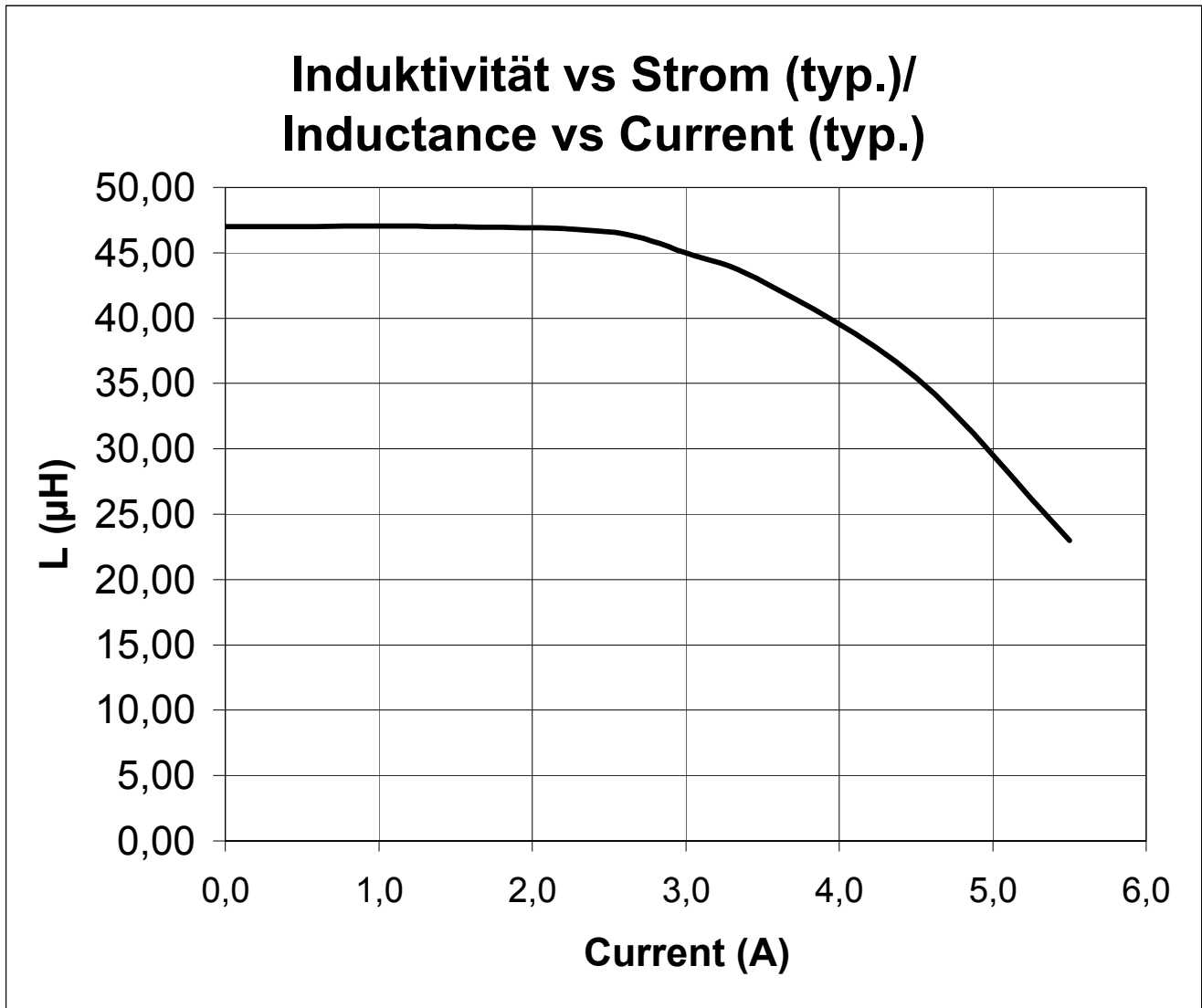
Spezifikation für Freigabe / specification for release

Kunde / customer : _____
 Artikelnummer / part number : **74459147**
 Bezeichnung : **SPEICHERDROSSEL WE-PD 3**
 description : **POWER-CHOKE WE-PD 3**



DATUM / DATE : 2004-02-26

H Induktivitätskurve / Inductance curve :



| | | | | |
|-------------------------------------|--------------------------|---------|-------------------------|--------------|
| Freigabe erteilt / general release: | Kunde / customer | | | |
| | | | | |
| Datum / date | Unterschrift / signature | MST/SST | Version 4 | 04-02-26 |
| | | RT | Version 3 | 03-02-25 |
| | Würth Elektronik | AG | Version 2 | 02-10-30 |
| | | JH | Version 1 | 00-12-06 |
| Geprüft / checked | Kontrolliert / approved | Name | Änderung / modification | Datum / date |

Würth Elektronik eiSos GmbH & Co. KG

D-74638 Waldenburg · Max-Eyth-Strasse 1 · Germany · Telefon (+49) (0) 7942 - 945 - 0 · Telefax (+49) (0) 7942 - 945 - 400
<http://www.we-online.de>

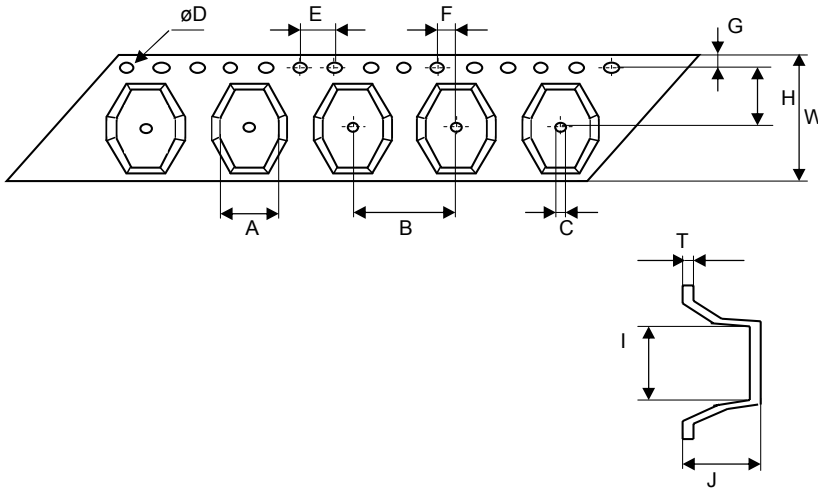
Spezifikation für Freigabe / specification for release

Kunde / customer : _____
 Artikelnummer / part number : **74459147**
 Bezeichnung : **SPEICHERDROSSEL WE-PD 3**
 description : **POWER-CHOKE WE-PD 3**



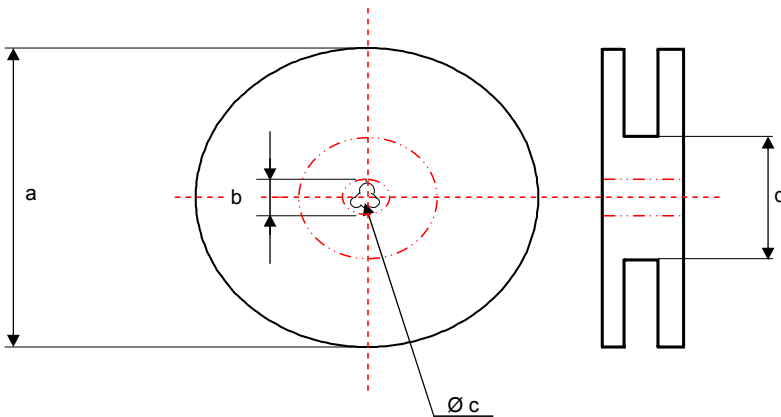
DATUM / DATE : 2004-02-26

I Rollenspezifikation / tape and reel specification:



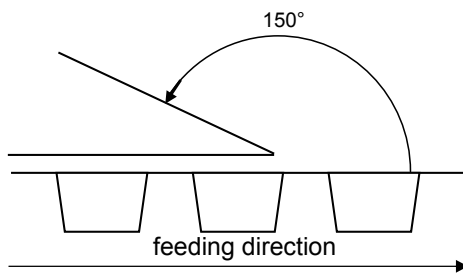
Gurtspezifikation / Tape specification:

| | | |
|---|--------------------|----|
| A | 14,64 ± 0,1 | mm |
| B | 24,0 ± 0,1 | mm |
| C | 2,00 min. | mm |
| D | 1,50 ± 0,1 | mm |
| E | 4,00 ± 0,1 | mm |
| F | 2,00 ± 0,1 | mm |
| G | 1,75 ± 0,1 | mm |
| H | 14,2 ± 0,1 | mm |
| I | 18,76 ± 0,1 | mm |
| J | 7,40 ± 0,1 | mm |
| T | 0,40 ± 0,03 | mm |
| W | 32,0 ± 0,3 | mm |



Rollenspezifikation / Reel specification:

| | | |
|---|----------------------------|----|
| a | 330,0 ± 0,5 | mm |
| b | 20,20 ± 0,1 | mm |
| c | 13,00 +0,5 -1,0 | mm |
| d | 100,0 ± 1,0 | mm |



The force for tearing off cover tape is 20 to 70 grams in arrow direction

| | | | | |
|-------------------------------------|--------------------------|---------|-------------------------|--------------|
| Freigabe erteilt / general release: | Kunde / customer | | | |
| Datum / date | Unterschrift / signature | MST/SST | Version 4 | 04-02-26 |
| | Würth Elektronik | RT | Version 3 | 03-02-25 |
| | | AG | Version 2 | 02-10-30 |
| Geprüft / checked | Kontrolliert / approved | JH | Version 1 | 00-12-06 |
| | | Name | Änderung / modification | Datum / date |

Würth Elektronik eiSos GmbH & Co. KG

D-74638 Waldenburg · Max-Eyth-Strasse 1 · Germany · Telefon (+49) (0) 7942 - 945 - 0 · Telefax (+49) (0) 7942 - 945 - 400
<http://www.we-online.de>