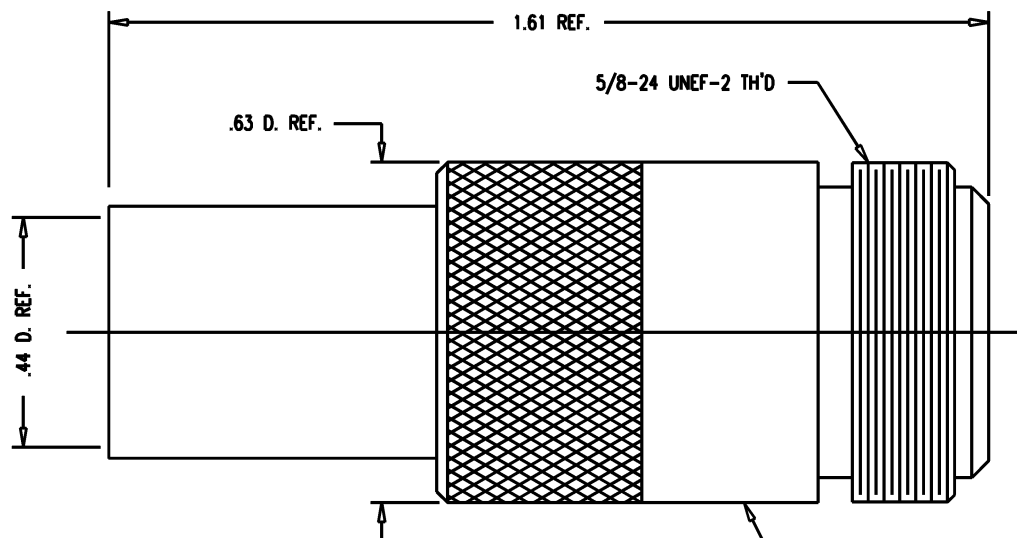


DASH NO.	M CODE	MADE FROM
----------	--------	-----------

GSD

M39012/02-0501

REVISIONS		
ISSUE	CHANGES	
8	CN LNM	32243 A 06/01/90



NOTES:

- FOR USE WITH RG-9, 9A, 9B, 214, 225 & 393/U CABLE.
- FOR CABLING INSTRUCTIONS SEE CP-480.
- FOR CABLE TRIMMING USE KTJ-137 AND KTD-138.
- FOR CRIMPING USE DIE KTH-2004.
- INTERFACE PER MIL-STD-348, FIG. 304-2.
- CENTER CONTACT TO BE SUPPLIED UNASSEMBLED.
- K-GRIP GASKET TO BE USED ON RG-393/U ONLY.
OMIT WHEN USING RG-9, 214 & 225/U CABLE.
- MATERIALS:**
INSULATOR-TEFLON, ASTM-D-1457
K-GRIP GASKET-SIL. RUB., ZZ-R-765
K-GRIP SLEEVE-COMMERCIAL BRONZE, ALLOY 220
CENTER CONTACT-BER. COP., ASTM-B-196
ALL OTHER METAL PARTS-BRASS, QQ-B-626
- FINISHES:**
CENTER CONTACT-HARD GOLD PLATE PER MIL-G-45204
ALL OTHER METAL PARTS-SILVER PLATE PER QQ-S-365
- ELECTRICAL CHARACTERISTICS:**
NOMINAL IMPEDANCE-50 OHMS
WORKING VOLTAGE-1000 VRMS
FREQUENCY RANGE-DC TO 11 GHZ

STAMP: 91836 M39012/02-0501
KN-39-83 XX XX (DATE CODE)

JCA1686

SCALE	4:1		
APPROX SURFACE AREA	KN-39-83		
USED ON			
REF:	JACK, N		
DRAWN	JCA	DATE	05/28/91
DESIGN	MJB	DATE	05/28/91
APPR.		DATE	
KINGS ELECTRONICS CO., INC. TUCKAHOE, NEW YORK 10707			
M39012/02-0501			

GSD