

10 9 8 7 6 5 4 3 2 1

F

E

D

C

B

A

F

E

D

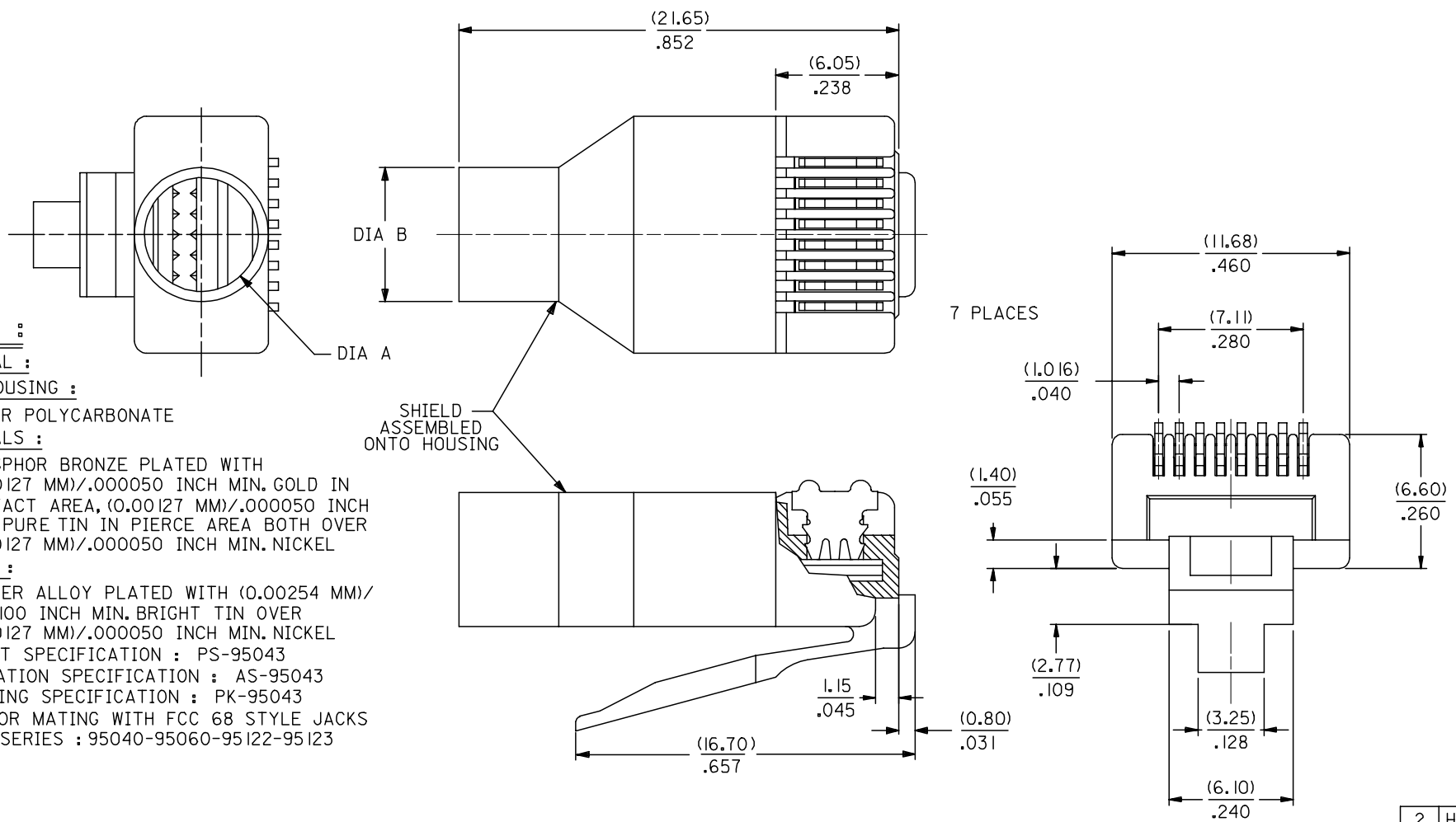
C

B

A

NOTES :

- 1- MATERIAL :
PLUG HOUSING :
 CLEAR POLYCARBONATE
- TERMINALS :
 PHOSPHOR BRONZE PLATED WITH
 (0.00127 MM)/.000050 INCH MIN. GOLD IN
 CONTACT AREA, (0.00127 MM)/.000050 INCH
 MIN. PURE TIN IN PIERCE AREA BOTH OVER
 (0.00127 MM)/.000050 INCH MIN. NICKEL
- SHIELD :
 COPPER ALLOY PLATED WITH (0.00254 MM)/
 .000100 INCH MIN. BRIGHT TIN OVER
 (0.00127 MM)/.000050 INCH MIN. NICKEL
- 2- PRODUCT SPECIFICATION : PS-95043
- 3- APPLICATION SPECIFICATION : AS-95043
- 4- PACKAGING SPECIFICATION : PK-95043
- 5- PLUG FOR MATING WITH FCC 68 STYLE JACKS
 MOLEX SERIES : 95040-95060-95122-95123



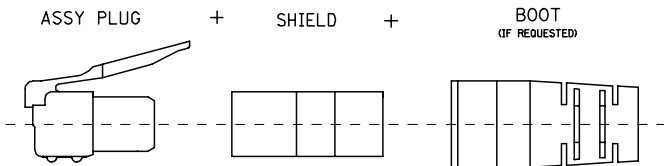
2	H
1	J

REMOVED NOTE. EC NO: E2007-0446 DRWN:DBYRNES CHKD: APPR:EDMAHONY	2006/11/20 2006/11/20 2006/11/22	DESCRIPTION REV	QUALITY SYMBOLS	GENERAL TOLERANCES (UNLESS SPECIFIED)	DIMENSION STYLE	SCALE	DESIGN UNITS	THIRD ANGLE PROJECTION																		
			$\nabla = 0$ $\nabla C = 0$	<table border="1"> <thead> <tr> <th></th> <th>mm</th> <th>INCH</th> </tr> </thead> <tbody> <tr> <td>4 PLACES</td> <td>± ---</td> <td>± ---</td> </tr> <tr> <td>3 PLACES</td> <td>± ---</td> <td>± .010</td> </tr> <tr> <td>2 PLACES</td> <td>± 0.25</td> <td>± .014</td> </tr> <tr> <td>1 PLACE</td> <td>± 0.35</td> <td>± ---</td> </tr> <tr> <td colspan="3">ANGULAR ± 2 °</td> </tr> </tbody> </table>		mm	INCH	4 PLACES	± ---	± ---	3 PLACES	± ---	± .010	2 PLACES	± 0.25	± .014	1 PLACE	± 0.35	± ---	ANGULAR ± 2 °			MM/IN	5:1	METRIC	
				mm	INCH																					
			4 PLACES	± ---	± ---																					
3 PLACES	± ---	± .010																								
2 PLACES	± 0.25	± .014																								
1 PLACE	± 0.35	± ---																								
ANGULAR ± 2 °																										
			DRAWN BY: CB CHECKED BY: TB APPROVED BY: FB	DATE: _____ DATE: _____ DATE: _____	TITLE																					
			DRAFT WHERE APPLICABLE MUST REMAIN WITHIN DIMENSIONS	SEE SHEET 2 SIZE A3	MATERIAL NO. DOCUMENT NO.	SDA-95043	MOLEX INCORPORATED 	SHEET NO. 1 OF 2																		

9 8 7 6 5 4 3 2 1

ASSEMBLY PART NUMBER	TOOLED	CABLE DIAMETER	BOOT		DIM A	DIM B	'MG' MARK	PARTS/ UNIT	PACKAGING VERSION				
			COLOR	RAL NBR									
95043-1881	YES	(5.10-5.60)/.200-.220	NO	N/A	N/A	(5.60)/.220	(6.60)/.260	NO	1	A			
95043-2881	YES	↑	NO	N/A	N/A	↑	↑	YES	1	A			
95043-2891	YES		YES	BLACK	9005			YES	1	A			
95043-2892	YES		YES	GREY	7012			YES	1	A			
95043-2893	YES		YES	GREEN	6016			YES	1	A			
95043-2894	YES		YES	RED	3000			YES	1	A			
95043-2895	YES		YES	YELLOW	1021			YES	1	A			
95043-2896	YES		YES	BLUE	5015			YES	1	A			
95043-3891	YES	↓	YES	BLACK	9005	↓	↓	YES	1000	A			
95043-6891	YES		(5.10-5.60)/.200-.220	YES	BLACK			9005	(5.60)/.220	(6.60)/.260	YES	5	B
95043-4881	YES		(5.60-6.20)/.220-.244	NO	N/A			N/A	(6.20)/.244	(7.20)/.283	NO	1	A
95043-5881	YES		↑	NO	N/A			N/A	↑	↑	YES	1	A
95043-5891	YES			YES	BLACK			9005			YES	1	A
95043-5892	YES			YES	GREY			7012			YES	1	A
95043-5893	YES			YES	GREEN			6016			YES	1	A
95043-5894	YES	YES		RED	3000	YES	1	A					
95043-5895	YES	YES		YELLOW	1021	YES	1	A					
95043-5896	YES	(5.60-6.20)/.220-.244		YES	BLUE	5015	(6.20)/.244	(7.20)/.283			YES	1	A

SHIELDED PLUG COMPOSITION



EC NO: MG2005-0111 DRAWN: MARTIN 2004/12/23 CHKD: FCARABETTA 2005/01/10 APPR: KNOLLER 2005/01/11	QUALITY SYMBOLS ▽=0 ▽=0	GENERAL TOLERANCES (UNLESS SPECIFIED)		DIMENSION STYLE MM/IN	SCALE 2:1	DESIGN UNITS METRIC	THIRD ANGLE PROJECTION	
				mm INCH	DRAWN BY DATE	TITLE SHIELDED MODULAR PLUG 8 POSITION FOR ROUND CABLE		
				4 PLACES ± --- ± --- 3 PLACES ± --- ± .010 2 PLACES ± 0.25 ± .014 1 PLACE ± 0.35 ± --- ANGULAR ± 2 °	CHECKED BY DATE			
				DRAFT WHERE APPLICABLE MUST REMAIN WITHIN DIMENSIONS		APPROVED BY DATE	MOLEX INCORPORATED DOCUMENT NO. SDA-95043	
				MATERIAL NO.	SHEET NO. 2 OF 2			
				SEE CHART THIS DRAWING CONTAINS INFORMATION THAT IS PROPRIETARY TO MOLEX INCORPORATED AND SHOULD NOT BE USED WITHOUT WRITTEN PERMISSION				