

参考基板レイアウト (マウント面)
P.C.BOARD PATTERN
DIMENSION. (REF.)
(MOUNTING AREA)

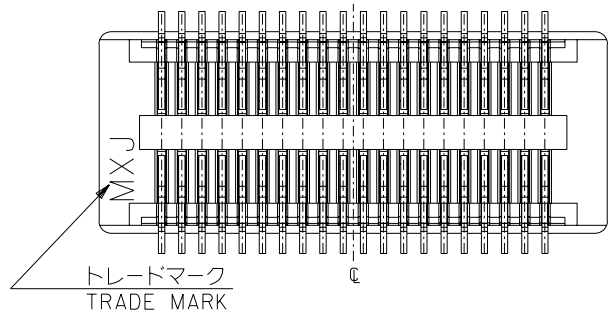
30極以下品形状
SHAPE OF 30 CIRCUITS OR LESS

注記 NOTES:

- 使用材料 MATERIAL
ハウジング: 液晶ポリマー ガラス充填, UL94V-0 (黒)
HOUSING: LIQUID CRYSTAL POLYMER (GLASS FILLED)
UL94V-0, (COLOR: BLACK)
ターミナル: リン青銅 (t=0.15)
TERMINAL: PHOSPHOR BRONZE (t=0.15)
- メッキ仕様 PLATING
金メッキ 0.25 MICROMETER MINIMUM (コンタクト部)
GOLD 0.25 MICROMETER MINIMUM. (CONTACT AREA)
金メッキ 0.4 MICROMETER MAXIMUM (テール部)
GOLD 0.4 MICROMETER MAXIMUM. (TAIL AREA)
下地メッキ: ニッケルメッキ 1.5 MICROMETER MINIMUM
UNDER PLATING: NICKEL 1.5 MICROMETER MINIMUM

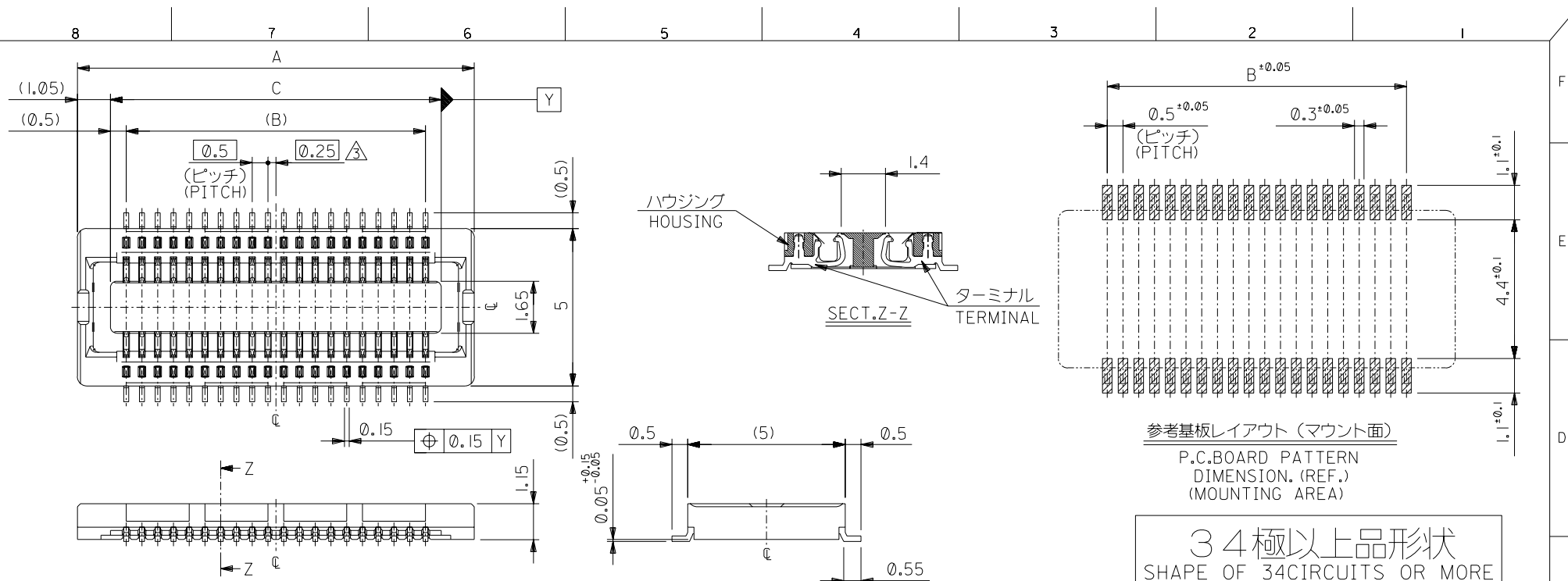
- △3 (全極数/2) = 偶数の場合に適用。
APPLY FOR (CIRCUIT/2)=EVEN.
4 嵌合相手: 55560 シリーズ, 53794 シリーズ
MATE WITH: 55560 SERIES, 53794 SERIES.
5 テール平坦度は, 0.1 MAXIMUM.
TAIL COPLANARITY TO BE 0.1 MAXIMUM.

8.0	7.0	10.1	54722-0301	30
6.5	5.5	8.6	54722-0241	24
6.0	5.0	8.1	54722-0221	22
5.5	4.5	7.6	54722-0201	20
4.5	3.5	6.6	54722-0161	16
C	B	A	MATERIAL. NO	極数 CIRCUIT



DO NOT SCALE DRAWING

①64NO. DRAWN: CH'K: APPR: ②63NO. DRAWN: CH'K: APPR: REVISED ③62NO. J2003-2517 DRAWN: S.AIHARA '03/03/31 CH'K: M.SASAO APPR: M.SASAO REVISED ④61NO. J2003-1929 DRAWN: T.YASUI '03/11/23 CH'K: T.IITO APPR: T.IITO REVISED ⑤60NO. J2003-1468 DRAWN: T.YASUI '02/11/25 CH'K: T.IITO APPR: T.YAMAGUCHI	MATERIAL 材料 注記参照 SEE NOTES FINISH 仕上げ — WIRE RANGE 適用線径範囲 — INS. RANGE 被覆外径 —	GENERAL TOLERANCES: (UNLESS SPECIFIED) 一般公差 10 UNDER 未満 ±0.2 10 OVER 30 UNDER 未満 ±0.25 30 OVER 以上 ±0.3 ANGLE 角度 ±3°	SCALE —# DESIGN UNITS <input checked="" type="checkbox"/> mm <input type="checkbox"/> INCH PROJECTION <input checked="" type="checkbox"/> FIRST ANGLE TITLE: 0.5 B-To-B Conn Rec HOUSING Assy (Hgt=1.5mm) MOLEX MOLEX INCORPORATED	DIMENSIONS: <input type="checkbox"/> mm <input type="checkbox"/> INCH <input checked="" type="checkbox"/> mm ONLY SHT REVISE ON CAD ONLY	MODEL NO. 54722-*** DRAWN BY & DATE S.AIHARA '00/10/5 CHECKED BY & DATE M.SASAO '03/03/31 APPROVED BY & DATE M.SASAO '03/03/31 CAD FILENAME 54722007.S01 MATERIAL NO. SEE CHART DRAWING NO. SD-54722-007 SHEET NO. 1 OF 2 SIZE B					
						⑥6NO. DRAWN: CH'K: APPR: REVISED ⑦65NO. J2003-1929 DRAWN: T.YASUI '03/11/23 CH'K: T.IITO APPR: T.IITO REVISED ⑧64NO. J2003-1468 DRAWN: T.YASUI '02/11/25 CH'K: T.IITO APPR: T.YAMAGUCHI	DESCRIPTION 注記参照 SEE NOTES — — —	DIMENSIONS: <input type="checkbox"/> mm <input type="checkbox"/> INCH <input checked="" type="checkbox"/> mm ONLY	SHT REVISE ON CAD ONLY	MODEL NO. 54722-*** DRAWN BY & DATE S.AIHARA '00/10/5 CHECKED BY & DATE M.SASAO '03/03/31 APPROVED BY & DATE M.SASAO '03/03/31 CAD FILENAME 54722007.S01 MATERIAL NO. SEE CHART DRAWING NO. SD-54722-007 SHEET NO. 1 OF 2 SIZE B
						⑨63NO. DRAWN: CH'K: APPR: REVISED ⑩62NO. J2003-2517 DRAWN: S.AIHARA '03/03/31 CH'K: M.SASAO APPR: M.SASAO REVISED ⑪61NO. J2003-1929 DRAWN: T.YASUI '03/11/23 CH'K: T.IITO APPR: T.IITO REVISED ⑫60NO. J2003-1468 DRAWN: T.YASUI '02/11/25 CH'K: T.IITO APPR: T.YAMAGUCHI	DESCRIPTION 注記参照 SEE NOTES — — —	DIMENSIONS: <input type="checkbox"/> mm <input type="checkbox"/> INCH <input checked="" type="checkbox"/> mm ONLY	SHT REVISE ON CAD ONLY	MODEL NO. 54722-*** DRAWN BY & DATE S.AIHARA '00/10/5 CHECKED BY & DATE M.SASAO '03/03/31 APPROVED BY & DATE M.SASAO '03/03/31 CAD FILENAME 54722007.S01 MATERIAL NO. SEE CHART DRAWING NO. SD-54722-007 SHEET NO. 1 OF 2 SIZE B
						⑬64NO. DRAWN: CH'K: APPR: REVISED ⑭63NO. J2003-2517 DRAWN: S.AIHARA '03/03/31 CH'K: M.SASAO APPR: M.SASAO REVISED ⑮62NO. J2003-1929 DRAWN: T.YASUI '03/11/23 CH'K: T.IITO APPR: T.IITO REVISED ⑯61NO. J2003-1468 DRAWN: T.YASUI '02/11/25 CH'K: T.IITO APPR: T.YAMAGUCHI	DESCRIPTION 注記参照 SEE NOTES — — —	DIMENSIONS: <input type="checkbox"/> mm <input type="checkbox"/> INCH <input checked="" type="checkbox"/> mm ONLY	SHT REVISE ON CAD ONLY	MODEL NO. 54722-*** DRAWN BY & DATE S.AIHARA '00/10/5 CHECKED BY & DATE M.SASAO '03/03/31 APPROVED BY & DATE M.SASAO '03/03/31 CAD FILENAME 54722007.S01 MATERIAL NO. SEE CHART DRAWING NO. SD-54722-007 SHEET NO. 1 OF 2 SIZE B
						⑰65NO. DRAWN: CH'K: APPR: REVISED ⑱64NO. J2003-2517 DRAWN: S.AIHARA '03/03/31 CH'K: M.SASAO APPR: M.SASAO REVISED ⑲63NO. J2003-1929 DRAWN: T.YASUI '03/11/23 CH'K: T.IITO APPR: T.IITO REVISED ⑳62NO. J2003-1468 DRAWN: T.YASUI '02/11/25 CH'K: T.IITO APPR: T.YAMAGUCHI	DESCRIPTION 注記参照 SEE NOTES — — —	DIMENSIONS: <input type="checkbox"/> mm <input type="checkbox"/> INCH <input checked="" type="checkbox"/> mm ONLY	SHT REVISE ON CAD ONLY	MODEL NO. 54722-*** DRAWN BY & DATE S.AIHARA '00/10/5 CHECKED BY & DATE M.SASAO '03/03/31 APPROVED BY & DATE M.SASAO '03/03/31 CAD FILENAME 54722007.S01 MATERIAL NO. SEE CHART DRAWING NO. SD-54722-007 SHEET NO. 1 OF 2 SIZE B



34極以上品形状
SHAPE OF 34 CIRCUITS OR MORE

注記 NOTES:

1. 使用材料 MATERIAL
 ハウジング: 液晶ポリマー ガラス充填, UL94V-0 (黒)
 HOUSING: LIQUID CRYSTAL POLYMER (GLASS FILLED)
 UL94V-0, (COLOR: BLACK)
 ターミナル: リン青銅 (t=0.15)
 TERMINAL: PHOSPHOR BRONZE (t=0.15)
2. メッキ仕様 PLATING
 金メッキ 0.25 MICROMETER MINIMUM (コンタクト部)
 GOLD 0.25 MICROMETER MINIMUM. (CONTACT AREA)
 金メッキ 0.4 MICROMETER MAXIMUM (テール部)
 GOLD 0.4 MICROMETER MAXIMUM. (TAIL AREA)
 下地メッキ: ニッケルメッキ 1.5 MICROMETER MINIMUM
 UNDER PLATING: NICKEL 1.5 MICROMETER MINIMUM

- △ (全極数/2) = 偶数の場合に適用。
 APPLY FOR (CIRCUIT/2)=EVEN.
 4 嵌合相手: 55560 シリーズ, 53794 シリーズ
 MATE WITH: 55560 SERIES, 53794 SERIES.
 5 テール平坦度は、0.1 MAXIMUM.
 TAIL COPLANARITY TO BE 0.1 MAXIMUM.

20.5	19.5	22.6	54722-0801	80
15.5	14.5	17.6	54722-0601	60
13.0	12.0	15.1	54722-0501	50
12.0	11.0	14.1	54722-0461	46
10.5	9.5	12.6	54722-0401	40
9.0	8.0	11.1	54722-0341	34
C	B	A	MATERIAL. NO	極数 CIRCUIT

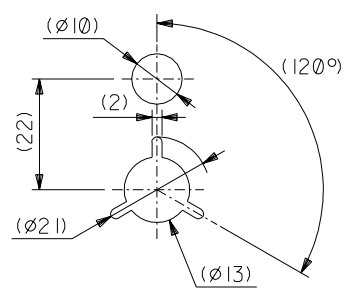
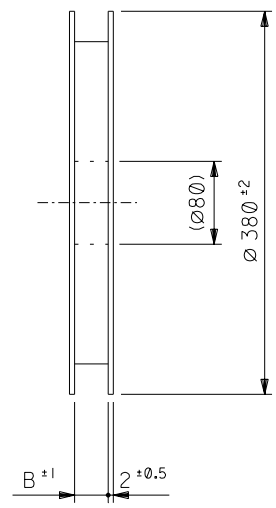
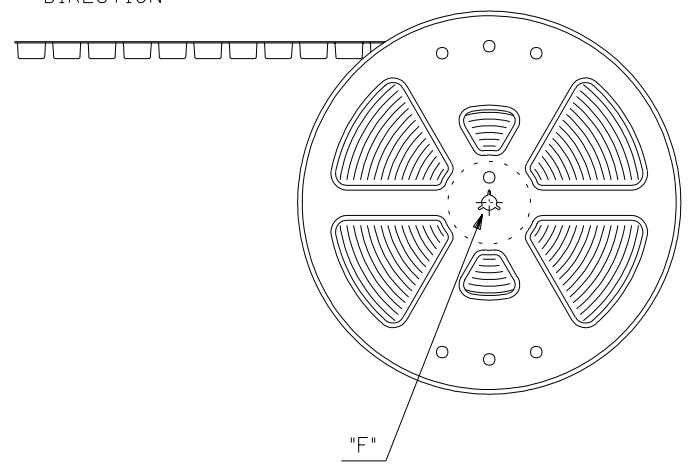
DO NOT SCALE DRAWING

64 NO. DRWN: CH'K: APPR: 63 NO. DRWN: CH'K: APPR: 62 NO. DRWN: CH'K: APPR: 61 NO. DRWN: CH'K: APPR:	REVISED 60 NO. J2003-2517 DRWN: S.AIHARA '02/03/31 CH'K: M.SASAO APPR: M.SASAO	MATERIAL 材料 注記参照 SEE NOTES	GENERAL TOLERANCES: (UNLESS SPECIFIED) 一般公差 10 UNDER 未満 ±0.2 10 OVER 以上 30 UNDER 未満 ±0.25 30 OVER 以上 ±0.3 ANGLE 角度 ±3°	SCALE 1/1 DESIGN UNITS <input checked="" type="checkbox"/> mm <input type="checkbox"/> INCH	DRAWN BY & DATE S.AIHARA '01/02/13 CHECKED BY & DATE M.SASAO '03/03/31 APPROVED BY & DATE M.SASAO '03/03/31 CAD FILENAME 54722007.S02	DIMENSIONS: <input type="checkbox"/> mm <input type="checkbox"/> INCH <input checked="" type="checkbox"/> mm ONLY	SHT 2 REV 2 REVISION ON CAD ONLY	TITLE: 0.5 B-To-B Conn Rec HOUSING Assy (Hgt=1.5mm)	MOLEX INCORPORATED	MATERIAL NO. SEE CHART DRAWING NO. SD-54722-007	SHEET NO. 2 OF 2	SIZE B	EN-02J(097) MXJ-54

54722007.S02

DWG. NO. SD-54722-008

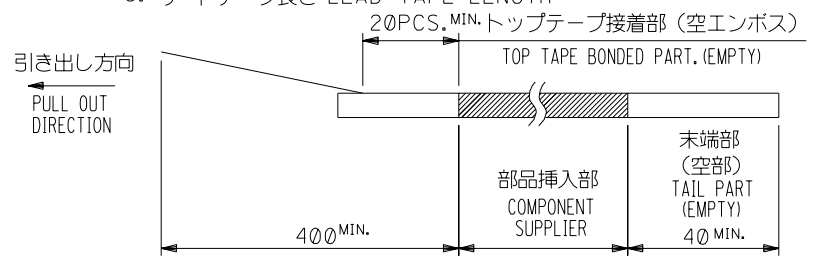
引き出し方向
PULL OUT DIRECTION



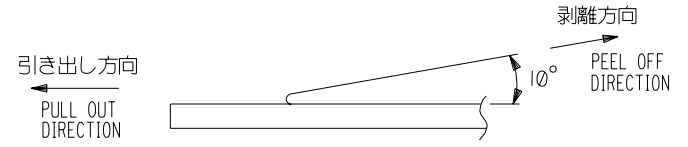
DETAIL "F"

注記 NOTES

- 製品詳細寸法については図面 SD-54722-007 を参照下さい。
RE DETAILED DIMENSION, SEE SD-54722-007
- 梱包数量：3000個/リール
NUMBER OF CONNECTORS : 3000PCS/REEL
- リードテープ長さ LEAD TAPE LENGTH



- トップテープの剥離強度：0.1N ~ 0.7N(10.2gf ~ 71.4gf)
(剥離方向は下図参照)
尚、本規格値は出荷時に適用。(但し、輸送時に剥離が発生しないこと。)
PEELING OFF FORCE OF TOP TAPE : 0.1N ~ 0.7N(10.2gf ~ 71.4gf)
(PEELING DIRECTION AS SHOWN IN FOLLOWING FIG.)
THIS REQUIREMENT SHOULD BE APPLIED AT SHIPMENT.
PEEL OFF SHOULD NOT BE ALLOWED , DURING TRANSPORTATION.



- 材料
キャリアテープ：ポリプロピレン (PP)
トップテープ：PET, PE, PEF
リール：ポリスチレン (PS) <リサイクル材を含む>

MATERIAL CARRIER TAPE: POLYPROPYLENE
TOP TAPE: PET, PE, PEF
REEL: POLYSTYRENE (PS)
<RECYCLE MATERIAL CONTAINED>

DO NOT SCALE DRAWING

EC NO. DRAWN: CHK'g: APPR:	REVISED EC NO. J2004-1680 DRAWN: K.SETO '03/12/22 CHK'g: H.TAKASE APPR: J.MIYAZAWA	REVISED EC NO. J2003-2517 DRAWN: S.AIHARA '03/03/31 CHK'g: M.SASAO APPR: M.SASAO	REVISED EC NO. J2003-1929 DRAWN: T.YASUI '03/11/23 CHK'g: T.IIO APPR: T.IIO	REVISED EC NO. J2003-1468 DRAWN: T.YASUI '02/11/25 CHK'g: T.IIO APPR: T.YAMAGUCHI	MATERIAL 材料 注記参照 SEE NOTES	GENERAL TOLERANCES: (UNLESS SPECIFIED) 一般公差	SCALE //	MODEL NO.	54722-***7	DIMENSIONS:	SHT	REV
								DESIGN UNITS ☑ mm ☐ INCH	THIRD ANGLE PROJECTION ☑ mm ONLY	mm INCH	mm ONLY	REVISION ON CAD ONLY
EC NO. DRAWN: CHK'g: APPR:	REVISED EC NO. J2004-1680 DRAWN: K.SETO '03/12/22 CHK'g: H.TAKASE APPR: J.MIYAZAWA	REVISED EC NO. J2003-2517 DRAWN: S.AIHARA '03/03/31 CHK'g: M.SASAO APPR: M.SASAO	REVISED EC NO. J2003-1929 DRAWN: T.YASUI '03/11/23 CHK'g: T.IIO APPR: T.IIO	REVISED EC NO. J2003-1468 DRAWN: T.YASUI '02/11/25 CHK'g: T.IIO APPR: T.YAMAGUCHI	FINISH 仕上げ //	10 UNDER 未満	±0.2	DRAWN BY & DATE S.AIHARA '00/10/16	TITLE: 0.5 B-To-B Conn Rec Assy (Hgt=1.5) Embstp Pkg	MATERIAL NO. DRAWING NO. SHEET NO.	MATERIAL NO. DRAWING NO. SHEET NO.	MATERIAL NO. DRAWING NO. SHEET NO.
						10 OVER 以上 30 UNDER 未満	±0.25	CHECKED BY & DATE M.SASAO '03/03/31				
EC NO. DRAWN: CHK'g: APPR:	REVISED EC NO. J2004-1680 DRAWN: K.SETO '03/12/22 CHK'g: H.TAKASE APPR: J.MIYAZAWA	REVISED EC NO. J2003-2517 DRAWN: S.AIHARA '03/03/31 CHK'g: M.SASAO APPR: M.SASAO	REVISED EC NO. J2003-1929 DRAWN: T.YASUI '03/11/23 CHK'g: T.IIO APPR: T.IIO	REVISED EC NO. J2003-1468 DRAWN: T.YASUI '02/11/25 CHK'g: T.IIO APPR: T.YAMAGUCHI	WIRE RANGE 適用層線範囲 //	30 OVER 以上	±0.3	APPROVED BY & DATE M.SASAO '03/03/31	MATERIAL NO. DRAWING NO. SHEET NO.	MATERIAL NO. DRAWING NO. SHEET NO.	MATERIAL NO. DRAWING NO. SHEET NO.	MATERIAL NO. DRAWING NO. SHEET NO.
						ANGLE 角度	±3°	CAD FILENAME 54722008.S01				
INS. RANGE 被覆外径 //						THIS DRAWING CONTAINS INFORMATION THAT IS PROPRIETARY TO MOLEX INCORPORATED AND SHOULD NOT BE USED WITHOUT WRITTEN PERMISSION.						SIZE B

DWG. NO. SD-54722-008

F

D

V

C

B

DO NOT SCALE DRAWING

8 7 6 5 4 3 2 1

F

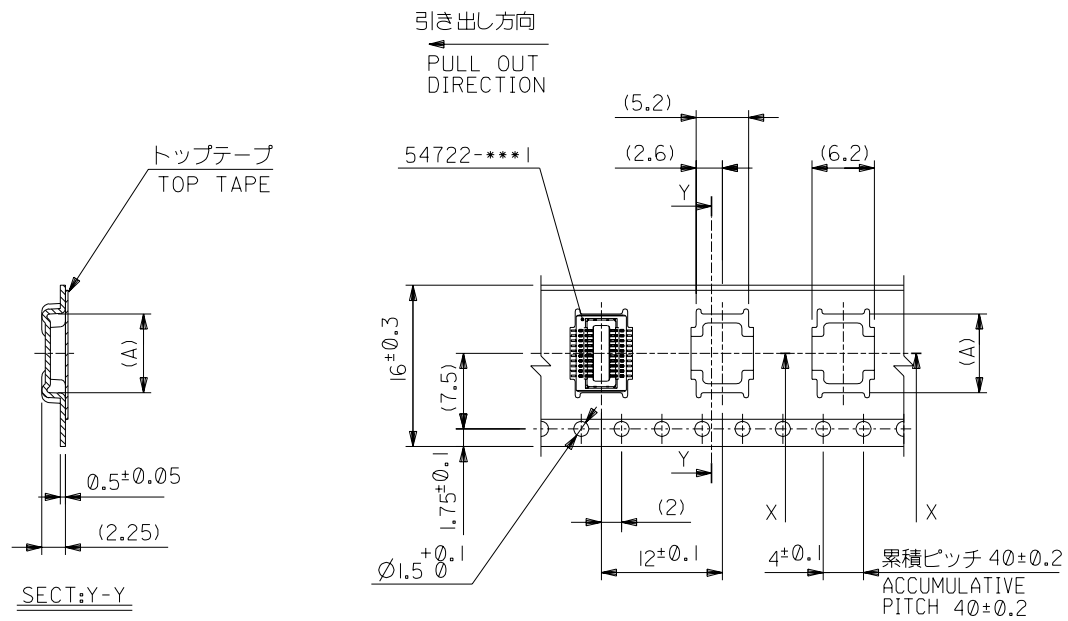
E

D

C

B

A



16mm幅キャリアテープ
16mm WIDTH CARRIER TAPE

16	17.5	7.8	54722-0207	20
キャリアテープ幅 CARRIER TAPE WIDTH		B	(A)	極数 CIRCUIT
MODEL NO.		54722-***7		DIMENSIONS: SHT REV REVISION ON CAD ONLY

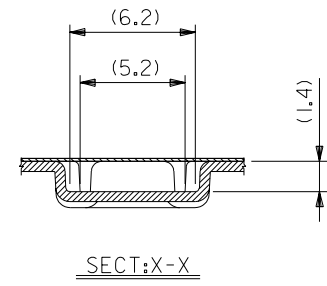
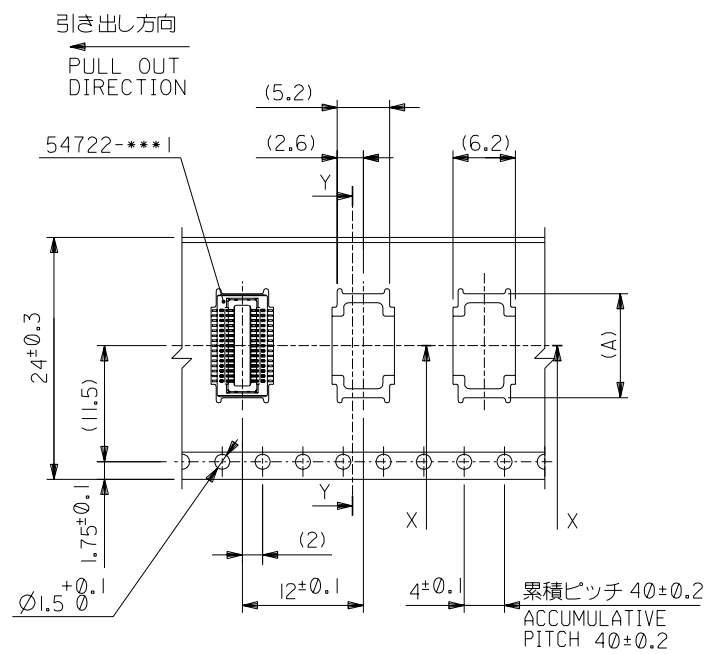
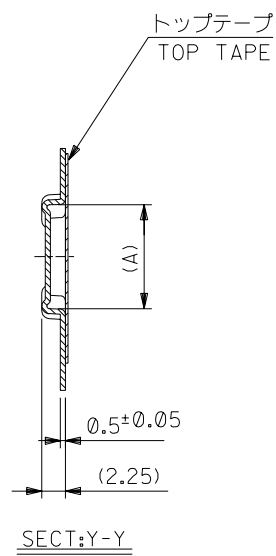
EC NO. DRAWN: CHK'G: APPR:	REVISED EC NO. J2004-1680 DRAWN: K.SETO '03/12/22 CHK'G: H.TAKASE APPR: J.MIYAZAWA	REVISED EC NO. J2003-2517 DRAWN: S.AIHARA '03/03/31 CHK'G: M.SASAO APPR: M.SASAO	REVISED EC NO. J2003-1929 DRAWN: T.YASUI '03/11/23 CHK'G: T.IITO APPR: T.IITO	REVISED EC NO. J2003-1468 DRAWN: T.YASUI '02/11/25 CHK'G: T.IITO APPR: T.YAMAGUCHI
DESCRIPTION	SHEET 1 OF 5 参照 REFER TO SHEET 1 OF 5			
MATERIAL 材料				
FINISH 仕上げ	//			
WIRE RANGE 適用層線範囲	//			
INS. RANGE 被覆外径	//			

GENERAL TOLERANCES: (UNLESS SPECIFIED) 一般公差	SCALE //	DESIGN UNITS <input checked="" type="checkbox"/> mm <input type="checkbox"/> INCH	THIRD ANGLE PROJECTION <input checked="" type="checkbox"/> THIRD ANGLE <input type="checkbox"/> FIRST ANGLE
10 UNDER 未満	±0.2	DRAWN BY & DATE S.AIHARA '00/10/ 6	
10 OVER 以上	±0.25	CHECKED BY & DATE M.SASAO '03/03/31	
30 UNDER 未満	±0.3	APPROVED BY & DATE M.SASAO '03/03/31	
30 OVER 以上	±0.3	CAD FILENAME 54722008.S02	
ANGLE 角度	±3°	TITLE: 0.5 B-To-B Conn Rec Assy (Hgt=1.5) Embstp Pkg	

MATERIAL NO. SEE CHART		DRAWING NO. SD-54722-008		SHEET NO. 2 OF 5
THIS DRAWING CONTAINS INFORMATION THAT IS PROPRIETARY TO MOLEX INCORPORATED AND SHOULD NOT BE USED WITHOUT WRITTEN PERMISSION.				
MOLEX INCORPORATED				

8 7 6 5 4 3 2 1 EN-02J(097) MXJ-54

8 7 6 5 4 3 2 1



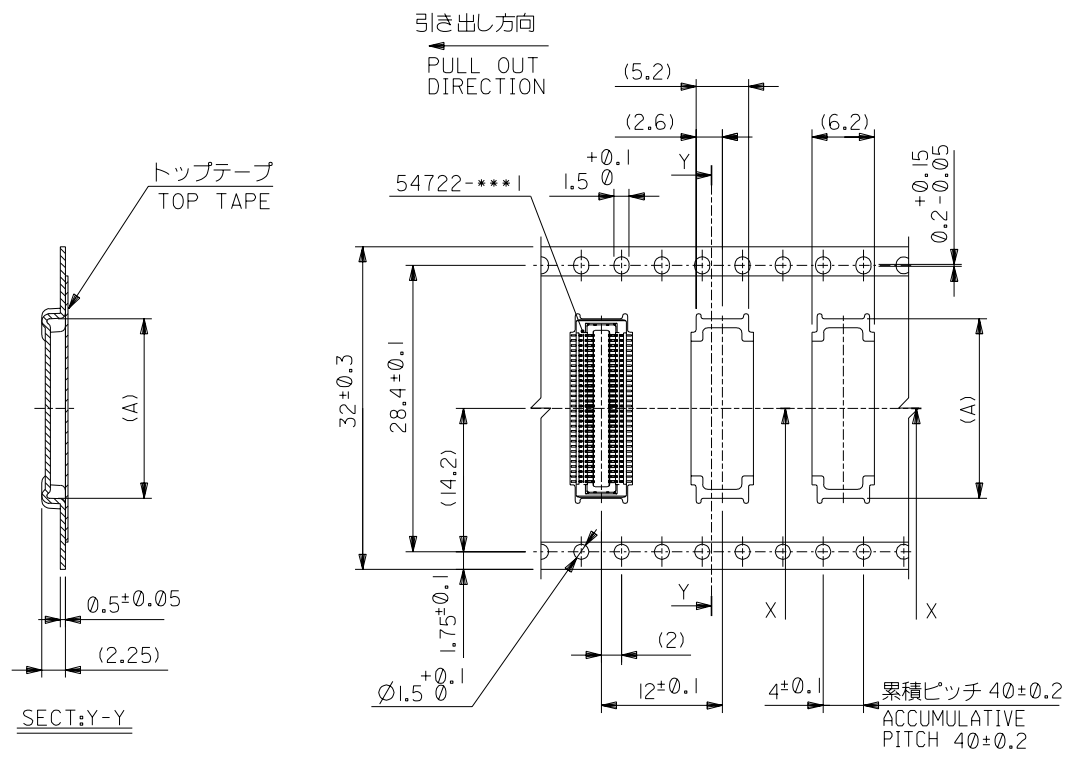
24mm幅キャリアテープ
24mm WIDTH CARRIER TAPE

24	25.5	15.3	54722-0507	50	
		14.3	54722-0467	46	
		12.8	54722-0407	40	
		11.3	54722-0347	34	
		10.3	54722-0307	30	
		8.8	54722-0247	24	
		8.3	54722-0227	22	
キャリアテープ幅 CARRIER TAPE WIDTH		B	(A)	MATERIAL NO.	極数 CIRCUIT
MODEL NO.		54722-***7		DIMENSIONS: SHT REV UNLESS SPECIFIED	

EC NO.	REVISED	SHEET 1 OF 5 参照 REFER TO SHEET 1 OF 5	
DRWN: K.SETO '03/12/22	EC NO. J2004-1680	FINISH 仕上げ	//
CHK: H.TAKASE	DRWN: S.AIHARA '03/03/31	WIRE RANGE 適用層線範囲	//
APPR: J.MIYAZAWA	CHK: M.SASAO	INS. RANGE 被覆外径	//
	APPR: M.SASAO		
	REVISED		
	EC NO. J2003-1929		
	DRWN: T.YASUI '03/11/23		
	CHK: T.IIO		
	APPR: T.IIO		
	REVISED		
	EC NO. J2003-1468		
	DRWN: T.YASUI '02/11/25		
	CHK: T.IIO		
	APPR: T.YAMAGUCHI		

SCALE	DESIGN UNITS	THIRD ANGLE PROJECTION	SHT	REV
///	mm <input checked="" type="checkbox"/> INCH <input type="checkbox"/>	<input type="checkbox"/> THIRD ANGLE <input checked="" type="checkbox"/> FIRST ANGLE		
DRAWN BY & DATE	TITLE:			
S.AIHARA '00/10/16	0.5 B-To-B Conn Rec Assy (Hgt=1.5) Embstp Pkg			
CHECKED BY & DATE	M.SASAO '03/03/31			
APPROVED BY & DATE	M.SASAO '03/03/31			
CAD FILENAME	MATERIAL NO.	DRAWING NO.	SHEET NO.	
54722008.S03	SEE CHART	SD-54722-008	3 OF 5	
THIS DRAWING CONTAINS INFORMATION THAT IS PROPRIETARY TO MOLEX INCORPORATED AND SHOULD NOT BE USED WITHOUT WRITTEN PERMISSION.				
				SIZE B

8 7 6 5 4 3 2 1



32mm幅キャリアテープ
32mm WIDTH CARRIER TAPE

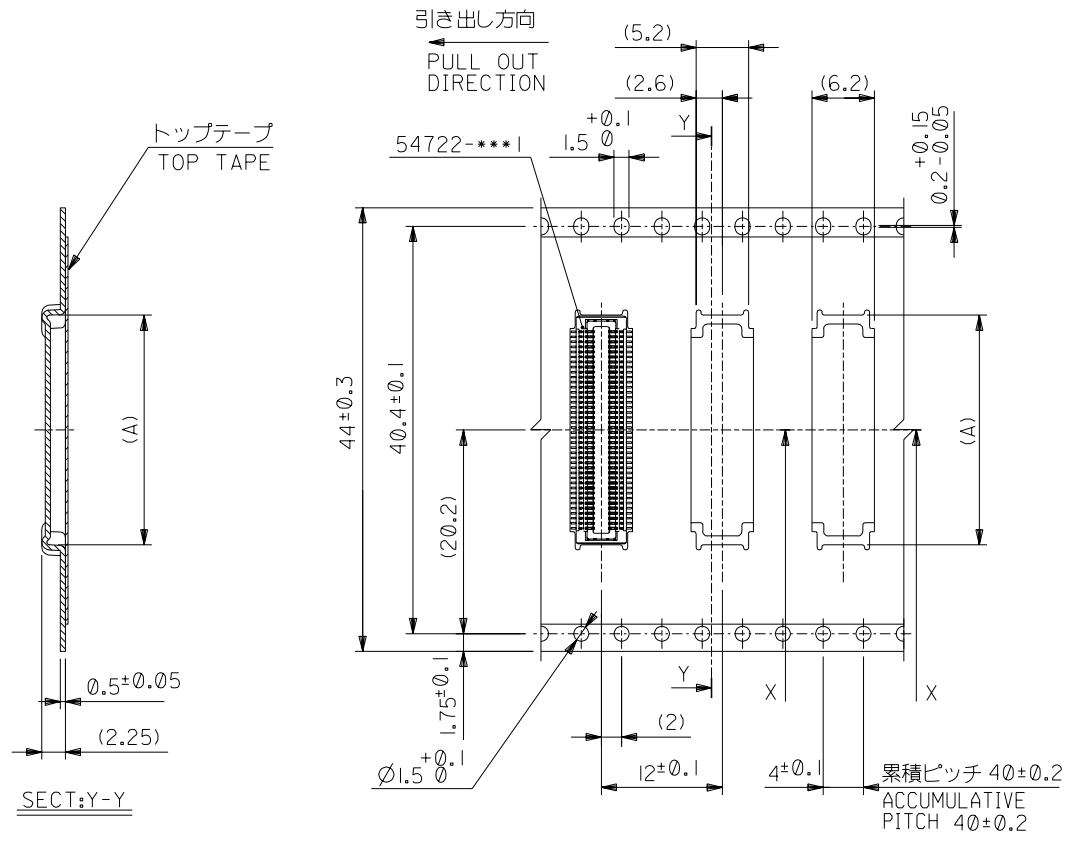
32	33.5	17.8	54722-0607	60
キャリアテープ幅 CARRIER TAPE WIDTH		B	(A)	極数 CIRCUIT
MODEL NO.		54722-***7		DIMENSIONS:
				mm INCH mm INCH
				THIRD ANGLE PROJECTION
				SHT REV
				REVISE ON CAD ONLY

EC NO.	REVISED	EC NO.	REVISED	EC NO.	REVISED	EC NO.	REVISED	MATERIAL
DRWN: K.SETO	J2004-1680	DRWN: S.AIHARA	J2003-2517	DRWN: T.YASUI	J2003-1929	DRWN: T.YASUI	J2003-1468	材料
CHK: H.TAKASE	'03/12/22	CHK: M.SASAO	'03/03/31	CHK: T.IITO	'03/11/23	CHK: T.IITO	'02/11/25	SHEET 1 OF 5 参照
APPR: J.MIYAZAWA		APPR: M.SASAO		APPR: T.IITO		APPR: T.YAMAGUCHI		REFER TO SHEET 1 OF 5
								FINISH
								仕上げ
								WIRE RANGE
								適用 線径 範囲
								INS. RANGE
								被覆 外径

GENERAL TOLERANCES: (UNLESS SPECIFIED) 一般公差	SCALE	DESIGN UNITS	THIRD ANGLE PROJECTION
10 UNDER 未満	///	mm INCH	☉
10 OVER 以上 30 UNDER 未満		mm ONLY	☐
30 OVER 以上			☒
ANGLE 角度			

DRAWN BY & DATE	TITLE:
T.YASUI '02/11/25	0.5 B-To-B Conn Rec Assy
CHECKED BY & DATE	(Hgt=1.5) Embstp Pkg
M.SASAO '03/03/31	
APPROVED BY & DATE	
M.SASAO '03/03/31	
CAD FILENAME	MATERIAL NO.
54722008.S05	SD-54722-008
	DRAWING NO.
	4 OF 5
THIS DRAWING CONTAINS INFORMATION THAT IS PROPRIETARY TO MOLEX INCORPORATED AND SHOULD NOT BE USED WITHOUT WRITTEN PERMISSION.	
SIZE	B

DWG. NO. SD-54722-008



44mm幅キャリアテープ
44mm WIDTH CARRIER TAPE

44	45.5	22.8	54722-0807	80
キャリアテープ幅 CARRIER TAPE WIDTH		B	(A)	極数 CIRCUIT
MODEL NO.		54722-***7		DIMENSIONS: SHT REV
				mm INCH mm INCH

EC NO.	REVISED				
DRWN: K.SETO '03/12/22	EC NO. J2004-1680				
CHK: H.TAKASE	DRWN: S.AIHARA '03/03/31				
APPR: J.MIYAZAWA	CHK: M.SASAO				
	APPR: M.SASAO				
	REVISED				
	EC NO. J2003-1929				
	DRWN: T.YASUI '03/11/23				
	CHK: T.IITO				
	APPR: T.IITO				
	REVISED				
	EC NO. J2003-1468				
	DRWN: T.YASUI '02/11/25				
	CHK: T.IITO				
	APPR: T.YAMAGUCHI				

MATERIAL 材料	SHEET 1 OF 5 参照 REFER TO SHEET 1 OF 5	
FINISH 仕上げ	//	
WIRE RANGE 適用線径範囲	//	
INS. RANGE 被覆外径	//	

GENERAL TOLERANCES: (UNLESS SPECIFIED) 一般公差	SCALE	DESIGN UNITS	THIRD ANGLE PROJECTION
10 UNDER 未満	///	mm INCH	<input checked="" type="checkbox"/> mm ONLY
10 OVER 以上			
30 UNDER 未満			
30 OVER 以上			
ANGLE 角度			

DRAWN BY & DATE T.YASUI '02/03/06	TITLE: 0.5 B-To-B Conn Rec Assy (Hgt=1.5) Embstp Pkg		
CHECKED BY & DATE M.SASAO '03/03/31	MATERIAL NO. DRAWING NO. SHEET NO.		
APPROVED BY & DATE M.SASAO '03/03/31	54722008.S04	SD-54722-008	5 OF 5
MATERIAL NO. DRAWING NO. SHEET NO.			SIZE
SEE CHART			B
THIS DRAWING CONTAINS INFORMATION THAT IS PROPRIETARY TO MOLEX INCORPORATED AND SHOULD NOT BE USED WITHOUT WRITTEN PERMISSION.			

DO NOT SCALE DRAWING