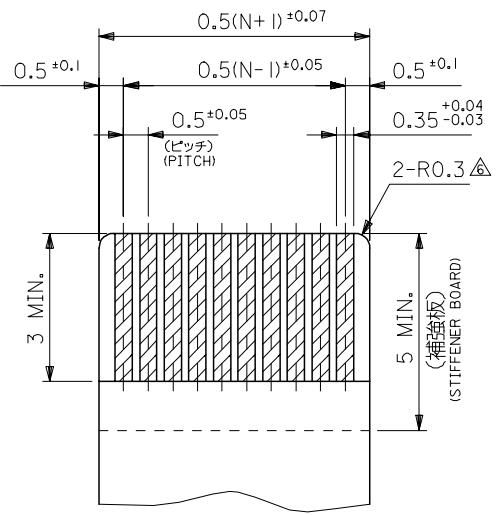
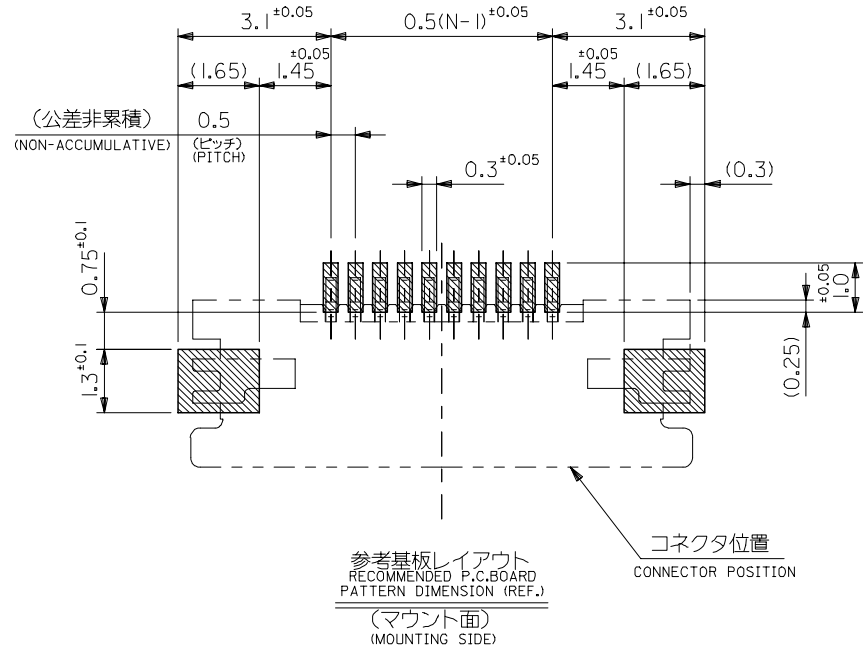
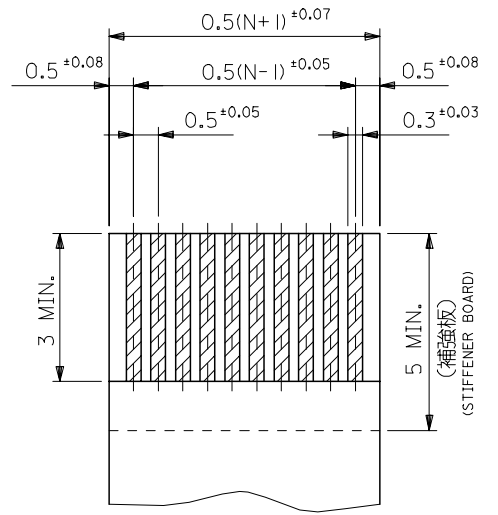


| | | | | | | | | | | |
|---|---------------------------------------|--|----------------------------|---------------------------|--------------------|------------------------------|--|---------------------|------------------------|--|
| REVISED EC NO: J2007-4760 DRWN: A0YAGI CHKD: KTOYODA APPR: NUKITA 2007/02/14 2007/06/01 2007/06/06 | GENERAL TOLERANCES (UNLESS SPECIFIED) | | DIMENSION STYLE MM ONLY | | SCALE 10:1 | | DESIGN UNITS METRIC | | THIRD ANGLE PROJECTION | |
| | 10 UNDER | ±0.2 | DRAWN BY Y. WADA | | DATE 2004/01/09 | | TITLE 0.5 FPC CONN ZIF HSG ASSY FOR SMT RA BTM CONT -LEAD FREE- | | | |
| | 10 OVER 30 UNDER | ±0.25 | CHECKED BY M. SASAO | | DATE 2004/01/09 | | MOLEX MOLEX INCORPORATED | | | |
| | 30 OVER | ±0.3 | APPROVED BY M. SASAO | | DATE 2004/01/09 | | | | | |
| ANGULAR ±3 ° | | DRAFT WHERE APPLICABLE MUST REMAIN WITHIN DIMENSIONS | | MATERIAL NO. SEE CHART | | DOCUMENT NO. SD-54548-037 | | SHEET NO. 1 OF 2 | | |
| THIS DRAWING CONTAINS INFORMATION THAT IS PROPRIETARY TO MOLEX INCORPORATED AND SHOULD NOT BE USED WITHOUT WRITTEN PERMISSION | | | | | | | | | | |

10 9 8 7 6 5 4 3 2 1



適合FPC推奨寸法
APPLICABLE FPC
RECOMMENDED DIMENSION
(仕上がり厚さ:表参照)
(THICKNESS:SEE CHART)



適合FFC推奨寸法
APPLICABLE FFC
RECOMMENDED DIMENSION
(仕上がり厚さ:表参照)
(THICKNESS:SEE CHART)

注記 NOTES

1. 使用材料 MATERIAL
- ハウジング : LCP, UL94V-0
HOUSING
- アクチュエータ : PPS, UL94V-0
ACTUATOR
- ターミナル :リン青銅 (t=0.2)、ニッケル下地 錫ビスマスマッキ
TERMINAL PHOSPHOR BRONZE,TIN-BISMUTH OVER NICKEL PLATING.
- 金具 :リン青銅 (t=0.2)、ニッケル下地 錫メッキ
FITTING NAIL PHOSPHOR BRONZE,PURE-TIN OVER NICKEL PLATING.
2. エンボステープ梱包時は、アクチュエータがロックした状態とする。
IN THE PACKAGE,ACTUATOR OF PART NO.54548-**19 SHOULD BE LOCKED.
- △ソルダーテール半田付け面のスレ量、及び金具半田付け面のスレ量は、基準面 Z
に對し上方 OMAX.、下方 0.15MAX.とし
相互のバラツキ量は0.1MAX.とする。
MISALIGNMENT OF SOLDER TAILS AND FITTING NAILS FROM Z
UPPER DIRECTION:0 MAX. . LOWER DIRECTION:0.15 MAX.
OFFSET BETWEEN UPPER AND LOWER 0.1 MAX.
- △偶数極に適用。
APPLY FOR EVEN CIRCUIT.
- △パターンはくり止め用金具
FITTING NAIL FOR PREVENTION OF PEELING
OF P.C.B. PATTERN.
- △R0.3はFPC導体部にかからないこと
R0.3 MUST NOT BE OVERLAPPED TO PATTERN OF FPC.
7. N: 極数 N: CIRCUIT.

FPC/FFC について:

打ち抜き方向は導体側から補強板側を推奨します。
導体部については軟銅箔35μmまたは50μmを推奨します。

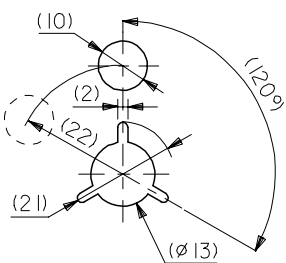
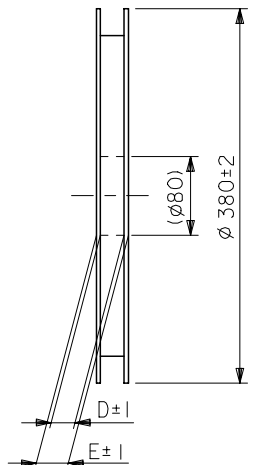
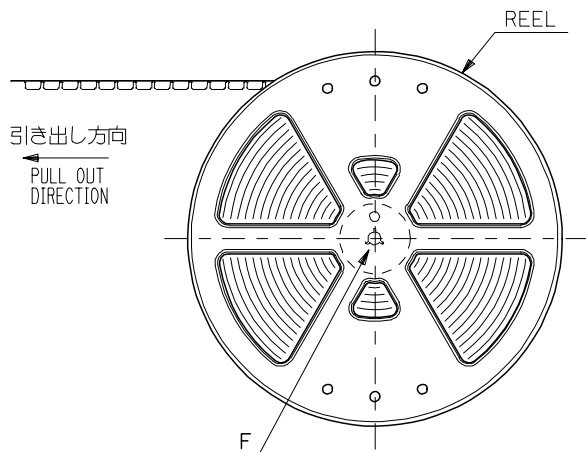
ABOUT FPC/FFC
RECOMMENDED PUNCHER DIRECTION : FROM CONDUCTOR SIDE TO STIFFENER FILM SIDE.
RECOMMENDED CONDUCTOR SPEC :
THICKNESS OF SOFT COPPER FOIL : 35 MICROMETER OR 50 MICROMETER.

FPC について:

補強フィルム材質はポリイミドを推奨します。ベースフィルムは25μmを推奨します。
接着剤は熱硬化接着剤を推奨します。
尚、接着剤の接点部への付着は導通不良の原因になりますので、染み出しが無い様、お願い致します。

ABOUT FPC
RECOMMENDED MATERIAL/THICKNESS.
STIFFENER FILM : POLYIMIDE
BASE FILM THICKNESS : 25μm
BONDING AGENT : THERMOSETTING BONDING AGENT
PLEASE PUT APPROPRIATE AMOUNT OF ADHESIVE ON THE CONTACT
AREA BECAUSE THE EXTRA ADHESIVE MAY CAUSE THE DEFECT IN
ELECTRICAL CONTINUITY.

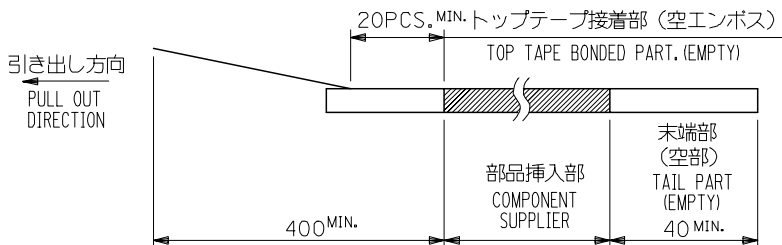
| | | | | | | | | | |
|--|---|--|-------|-----------------------------|--------------------|--|------------------------|-------------------------|---------------------------|
| REVISED EC NO: J2007-4760 DRWN: A0YAGI CHKD: TOYODA APPR: NUKITA | DESCRIPTION 2007/02/14 2007/06/01 2007/06/06 | GENERAL TOLERANCES (UNLESS SPECIFIED) | | DIMENSION STYLE MM ONLY | | SCALE --- | DESIGN UNITS METRIC | MODEL No. 54548-**19 | THIRD ANGLE PROJECTION |
| | | 10 UNDER | ±0.2 | DRAWN BY Y. WADA | DATE 2004/01/09 | TITLE 0.5 FPC CONN ZIF HSG ASSY FOR SMT RA BTM CONT -LEAD FREE- | | | |
| | | 10 OVER 30 UNDER | ±0.25 | CHECKED BY M. SASAO | DATE 2004/01/09 | MOLEX INCORPORATED | | | |
| | | 30 OVER | ±0.3 | APPROVED BY M. SASAO | DATE 2004/01/09 | DOCUMENT NO. SD-54548-037 | | | |
| ANGULAR ±3 ° | | DRAFT WHERE APPLICABLE MUST REMAIN WITHIN DIMENSIONS | | MATERIAL NO. SEE SHEET 1 | | SHEET NO. 2 OF 2 | | | |
| THIS DRAWING CONTAINS INFORMATION THAT IS PROPRIETARY TO MOLEX INCORPORATED AND SHOULD NOT BE USED WITHOUT WRITTEN PERMISSION | | | | | | | | | |



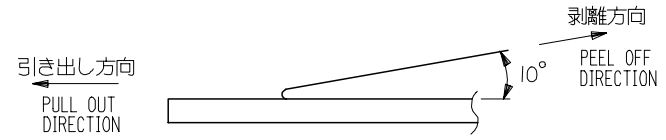
DETAIL F

NOTES

- 製品詳細寸法については図面 SD-54548-037 を参照下さい。
RE DETAILED DIMENSION, SEE SD-54548-037.
- 梱包数量：3000個/リール
NUMBER OF CONNECTORS : 3000PCS/REEL
- リードテープ長さ LEAD TAPE LENGTH



- トップテープの剥離強度：0.1N ~ 1.3N { 10gf ~ 130gf }
(剥離方向は下図参照)
尚、本規格値は出荷時に適用。(但し、輸送時に剥離が発生しないこと。)
PEELING OFF FORCE OF TOP TAPE : 0.1N ~ 1.3N (10gf ~ 130gf)
(PEELING DIRECTION AS SHOWN IN FOLLOWING FIG.)
THIS REQUIREMENT SHOULD BE APPLIED AT SHIPMENT.
PEEL OFF SHOULD NOT BE ALLOWED , DURING TRANSPORTATION.



- 材料 (MATERIAL)
キャリアテープ (CARRIER TAPE) : ポリプロピレン (POLYPROPYLENE)
トップテープ (TOPTAPE) : PET , PE , PEF
リール (REEL) : ポリスチレン (PS) <リサイクル材を含む>
POLYSTYRENE (PS) <RECYCLE MATERIAL CONTAINED>
- 本製品は54548-**-90の鉛フリー品である。
THIS PRODUCT IS LEAD FREE OF 54548-**-90.

| | | | | | | | | |
|--|---------------------------------------|---|---|------------------------|------------------------|---------------------------|--|------------------|
| REVISED EC NO: J2005-2516 DRAWN: NABEI 2005/02/28 CHYKD: TOYODA 2005/02/28 APPR: NUKITA 2005/03/07 | GENERAL TOLERANCES (UNLESS SPECIFIED) | | DIMENSION STYLE MM ONLY | | 54548-**-70 | | MODEL NO. | |
| | 10 UNDER ±0.2 | | DRAWN BY DATE Y. WADA 2004/01/09 | | SCALE --- | | DESIGN UNITS METRIC | |
| | 10 OVER 30 UNDER ±0.25 | | CHECKED BY DATE M. SASAO 2004/01/09 | | THIRD ANGLE PROJECTION | | EMBSTP PKG FOR 0.5 FPC CONN ZIF HSG ASSY -LEAD FREE- | |
| | 30 OVER ±0.3 | | APPROVED BY DATE M. SASAO 2004/01/09 | | MOLEX INCORPORATED | | | |
| ANGULAR ±3 ° | | DRAFT WHERE APPLICABLE MUST REMAIN WITHIN DIMENSIONS | | MATERIAL NO. SEE CHART | | DOCUMENT NO. SD-54548-038 | | SHEET NO. 1 OF 4 |
| SIZE A3 | | THIS DRAWING CONTAINS INFORMATION THAT IS PROPRIETARY TO MOLEX INCORPORATED AND SHOULD NOT BE USED WITHOUT WRITTEN PERMISSION | | | | | | |

10 9 8 7 6 5 4 3 2 1

F

E

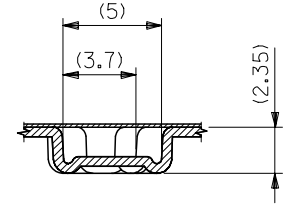
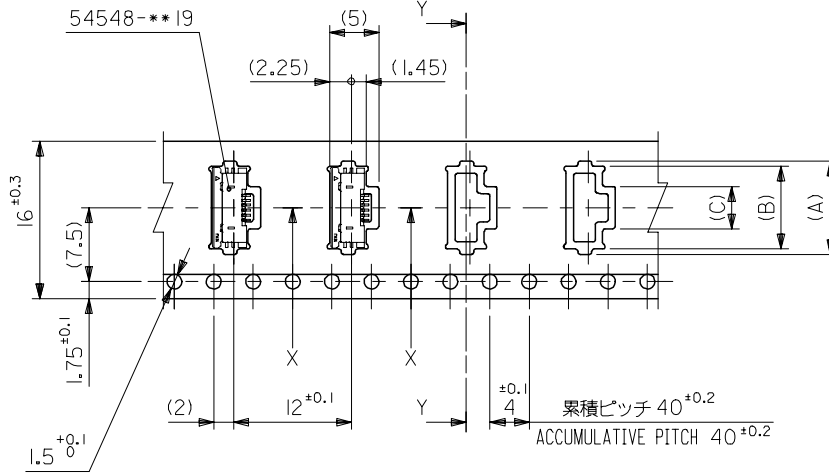
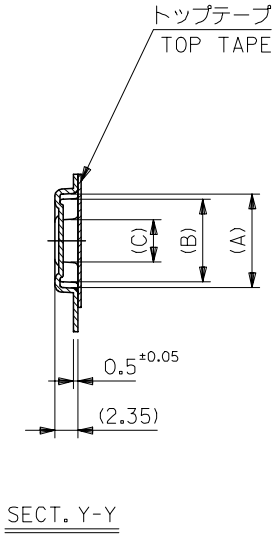
D

C

B

A

引き出し方向
PULL OUT DIRECTION



| | | | | | | | |
|--------------------------------|------|------|-----|-----|-----|----------------------|---------------|
| 16 | 21.4 | 17.4 | 4.3 | 8.4 | 9.5 | 54548-0670 | 6 |
| | | | 3.8 | 7.9 | 9 | 54548-0570 | 5 |
| | | | 3.3 | 7.4 | 8.5 | 54548-0470 | 4 |
| キャリアテープ幅 CARRIER TAPE WIDTH | E | D | (C) | (B) | (A) | 製品番号 MATERIAL No. | 極数 CIRCUIT |

54548-***70 MODEL NO.

| | | | | | | | | |
|---|---------------------------------------|------------|----------------------------|--|---------------------|------------------------|---|--|
| REVISED EC No: J2005-2516 2005/02/28 DRAWN: NABEI 2005/02/28 CHKD: KTOYODA 2005/03/07 APPR: NUKITA | GENERAL TOLERANCES (UNLESS SPECIFIED) | | DIMENSION STYLE MM ONLY | | SCALE 2:1 | DESIGN UNITS METRIC | THIRD ANGLE PROJECTION | |
| | 10 UNDER | ±0.2 | DRAWN BY Y. WADA | | DATE 2004/01/09 | | TITLE EMBSTP PKG FOR 0.5 FPC CONN ZIF HSG ASSY -LEAD FREE- | |
| | 10 OVER 30 UNDER | ±0.25 | CHECKED BY M. SASAO | | DATE 2004/01/09 | | MOLEX INCORPORATED | |
| | 30 OVER | ±0.3 | APPROVED BY M. SASAO | | DATE 2004/01/09 | | DOCUMENT NO. SD-54548-038 | |
| | ANGULAR | ±3 ° | MATERIAL NO. SEE CHART | | SHEET NO. 2 OF 4 | | THIS DRAWING CONTAINS INFORMATION THAT IS PROPRIETARY TO MOLEX INCORPORATED AND SHOULD NOT BE USED WITHOUT WRITTEN PERMISSION | |
| DRAFT WHERE APPLICABLE MUST REMAIN WITHIN DIMENSIONS | | SIZE A3 | | | | | | |

9

8

7

6

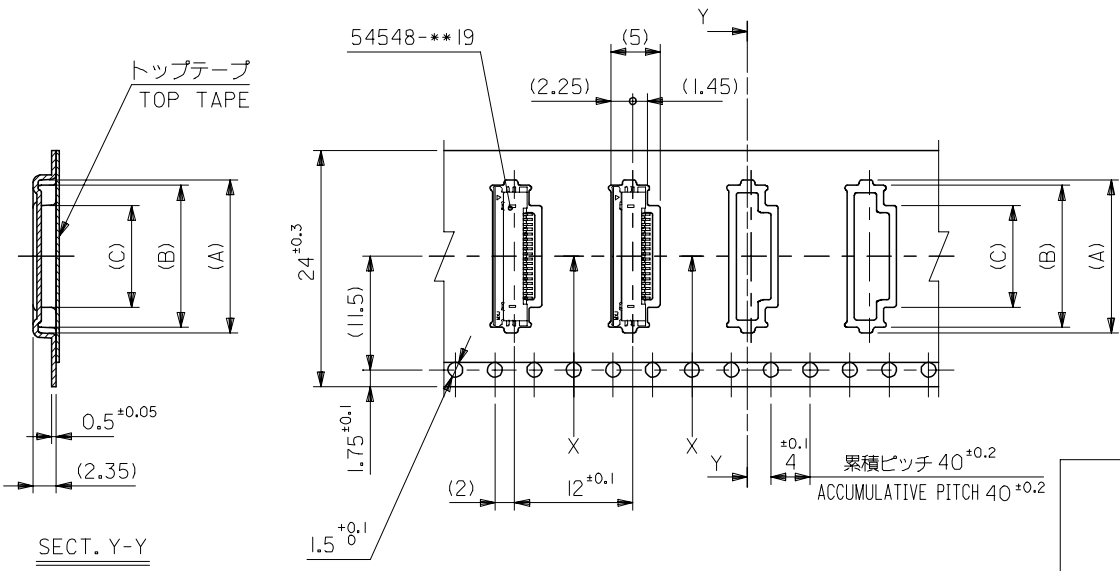
5

4

3

2

引き出し方向
PULL OUT DIRECTION



24mm幅キャリアテープ
24mm WIDTH CARRIER TAPE

| | | | | | | | |
|--------------------------------|------|------|------------|------|------|----------------------|---------------|
| 24 | 29.4 | 25.4 | 12.3 | 16.4 | 17.5 | 54548-2270 | 22 |
| | | | 11.8 | 15.9 | 17 | 54548-2170 | 21 |
| | | | 11.3 | 15.4 | 16.5 | 54548-2070 | 20 |
| | | | 10.8 | 14.9 | 16 | 54548-1970 | 19 |
| | | | 10.3 | 14.4 | 15.5 | 54548-1870 | 18 |
| | | | 9.8 | 13.9 | 15 | 54548-1770 | 17 |
| | | | 9.3 | 13.4 | 14.5 | 54548-1670 | 16 |
| | | | 8.8 | 12.9 | 14 | 54548-1570 | 15 |
| | | | 8.3 | 12.4 | 13.5 | 54548-1470 | 14 |
| | | | 7.8 | 11.9 | 13 | 54548-1370 | 13 |
| | | | 7.3 | 11.4 | 12.5 | 54548-1270 | 12 |
| | | | 6.8 | 10.9 | 12 | 54548-1170 | 11 |
| | | | 6.3 | 10.4 | 11.5 | 54548-1070 | 10 |
| | | | 5.8 | 9.9 | 11 | 54548-0970 | 9 |
| 5.3 | 9.4 | 10.5 | 54548-0870 | 8 | | | |
| 4.8 | 8.9 | 10 | 54548-0770 | 7 | | | |
| キャリアテープ幅 CARRIER TAPE WIDTH | E | D | (C) | (B) | (A) | 製品番号 MATERIAL No. | 極数 CIRCUIT |

| | | | | | | | | |
|--|---------------------------------------|------------|----------------------------|--|---------------------|------------------------|---|--|
| REVISED EC No: J2005-2516 2005/02/28 DRWN: NABEI 2005/02/28 CHKD: KTOYODA 2005/03/07 APPR: NUKITA | GENERAL TOLERANCES (UNLESS SPECIFIED) | | DIMENSION STYLE MM ONLY | | SCALE 2:1 | DESIGN UNITS METRIC | THIRD ANGLE PROJECTION | |
| | 10 UNDER | ±0.2 | DRAWN BY Y. WADA | | DATE 2004/01/09 | | TITLE EMBSTP PKG FOR 0.5 FPC CONN ZIF HSG ASSY -LEAD FREE- | |
| | 10 OVER 30 UNDER | ±0.25 | CHECKED BY M. SASAO | | DATE 2004/01/09 | | MOLEX INCORPORATED | |
| | 30 OVER | ±0.3 | APPROVED BY M. SASAO | | DATE 2004/01/09 | | DOCUMENT NO. SD-54548-038 | |
| | ANGULAR | ±3 ° | MATERIAL NO. SEE CHART | | SHEET NO. 3 OF 4 | | THIS DRAWING CONTAINS INFORMATION THAT IS PROPRIETARY TO MOLEX INCORPORATED AND SHOULD NOT BE USED WITHOUT WRITTEN PERMISSION | |
| DRAFT WHERE APPLICABLE MUST REMAIN WITHIN DIMENSIONS | | SIZE A3 | | | | | | |

10 9 8 7 6 5 4 3 2 1

F

E

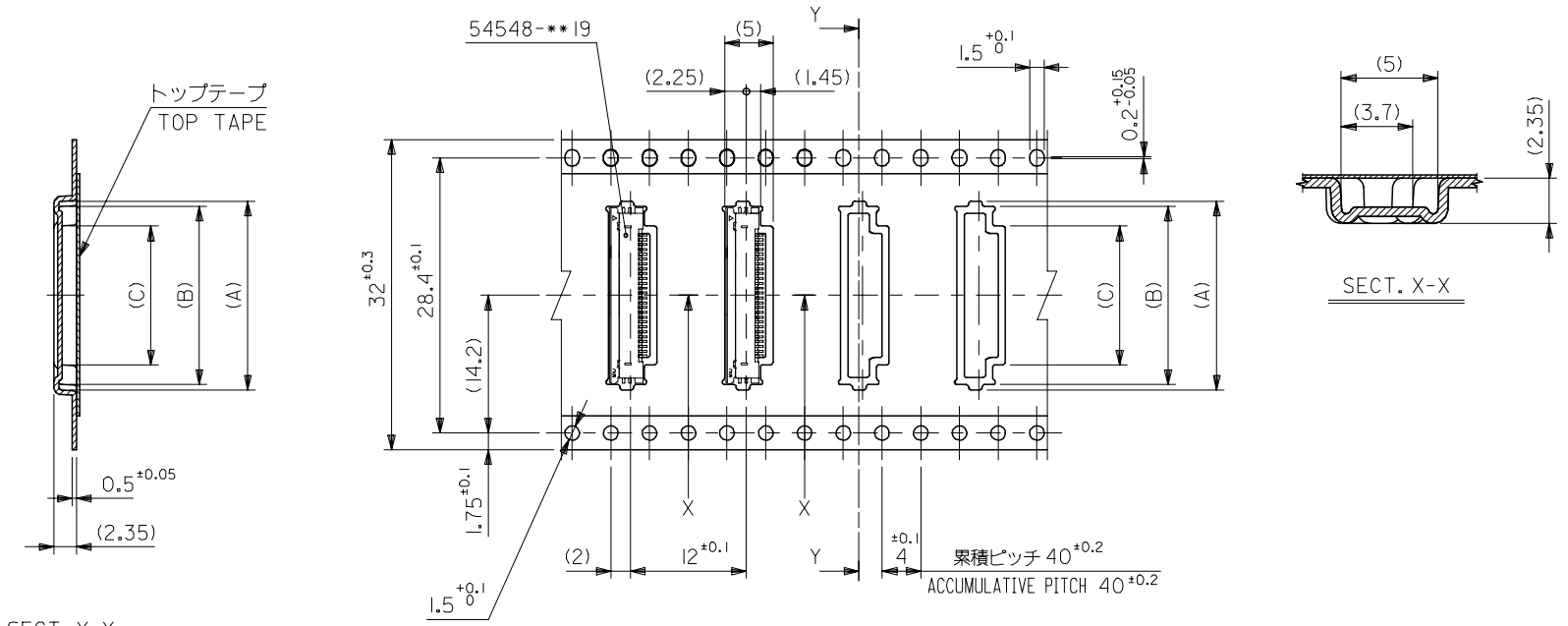
D

C

B

A

引き出し方向
PULL OUT DIRECTION



SECT. Y-Y

SECT. X-X

32mm幅キャリアテープ
32mm WIDTH CARRIER TAPE

| | | | | | | | |
|--------------------------------|------|------|------|------|------|----------------------|---------------|
| 32 | 37.4 | 33.4 | 14.3 | 18.4 | 19.5 | 54548-2670 | 26 |
| キャリアテープ幅 CARRIER TAPE WIDTH | E | D | (C) | (B) | (A) | 54548-2470 | 24 |
| | | | | | | 製品番号 MATERIAL No. | 極数 CIRCUIT |

| | | | | | | | |
|---|---------------------------------------|------------|--|------------------------------|---|------------------------|------------------------|
| REVISED EC NO: J2005-2516 DRAWN: NABEI CHKD: KTOYODA APPR: NUKITA 2005/02/28 2005/02/28 2005/03/07 | GENERAL TOLERANCES (UNLESS SPECIFIED) | | DIMENSION STYLE MM ONLY | | SCALE 2:1 | DESIGN UNITS METRIC | THIRD ANGLE PROJECTION |
| | 10 UNDER | ±0.2 | DRAWN BY Y. WADA | DATE 2004/01/09 | TITLE EMBSTP PKG FOR 0.5 FPC CONN ZIF HSG ASSY -LEAD FREE- | | |
| | 10 OVER 30 UNDER | ±0.25 | CHECKED BY M. SASAO | DATE 2004/01/09 | | | |
| | 30 OVER | ±0.3 | APPROVED BY M. SASAO | DATE 2004/01/09 | MOLEX INCORPORATED | | |
| | ANGULAR | ±3 ° | MATERIAL NO. | DOCUMENT NO. SD-54548-038 | | | |
| DRAFT WHERE APPLICABLE MUST REMAIN WITHIN DIMENSIONS | | SIZE A3 | THIS DRAWING CONTAINS INFORMATION THAT IS PROPRIETARY TO MOLEX INCORPORATED AND SHOULD NOT BE USED WITHOUT WRITTEN PERMISSION | | | | |