

FEATURES AND SPECIFICATIONS

Features and Benefits

- Vertical or right angle PCB tails
- Multiple PCB tail lengths to accommodate various PCB thicknesses
- Polarized to prevent improper assembly and mating
- 4 circuits per pod
- Pod "snaps" into shroud with no tools required

Reference Information

Product Specification: PS-43510-001 and PS-5556-01
 Packaging Type: 43954—Bag
 43955—Tube
 UL File No.: E29179
 CSA File No.: LR19980
 Mates With: [43511](#) receptacle pod
 Use With: 43954 mates with [44040](#) vertical shroud
 43955 mates with [44041](#) right angle shroud
 Designed In: Millimeters

Electrical

Electrical Voltage: 600V
 Current: 11.0A max.*
 Contact Resistance: 10mΩ max.
 Dielectric Withstanding Voltage: 1500V
 Insulation Resistance: 1000 MΩ min.

Mechanical

Contact Retention to Housing: 1.0kg min.
 Normal Force: 700g min.
 Durability: 30 cycles

Physical

Physical Housing: Glass-filled nylon, UL 94V-0
 Contact: Brass
 Plating: Tin or Gold
 Operating Temperature: -40 to +105°C
 PCB Thickness: 1.57, 2.36 or 3.18mm (.062, .093 or 1.25")

* Depending on circuit size, wire gauge and PCB. Please refer to product specification.

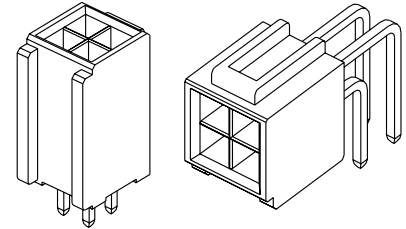


12.30mm (.484") Pitch
COMPODRE™

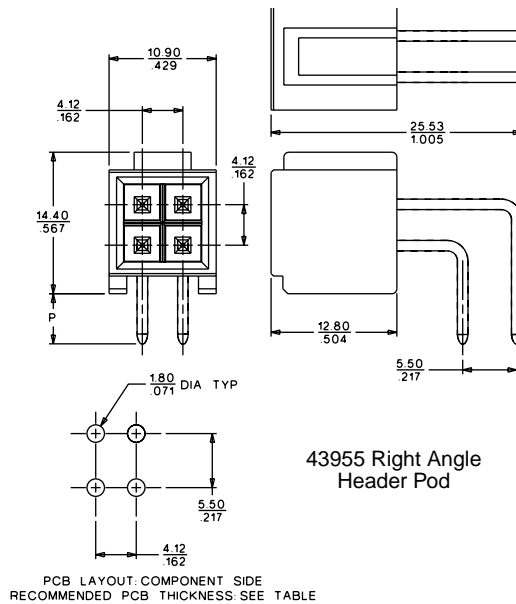
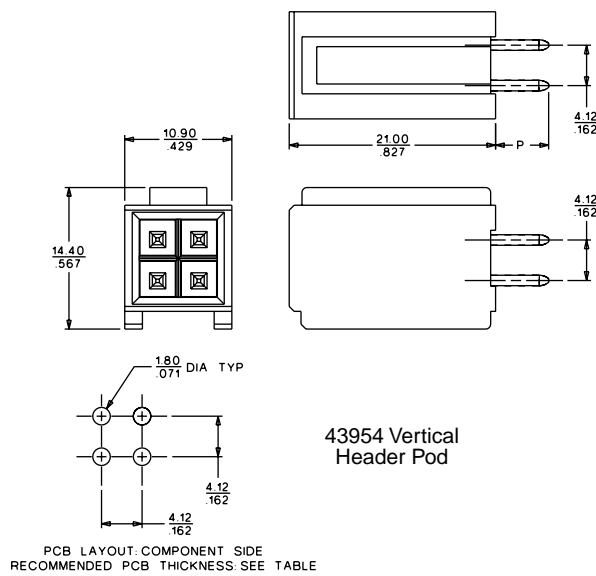
Wire-To-Board Header Pod

43954/43955

**Mini-Fit, Jr.™ Header
 Vertical and Right Angle**



CATALOG DRAWING (FOR REFERENCE ONLY)



ORDERING INFORMATION AND DIMENSIONS

Description	Order No.	Plating	PCB Thickness	Description P
Mini-Fit, Jr. Right Angle Header Pod	43955-0101	Tin	1.57 (.062)	5.10 (.201)
Mini-Fit, Jr. Right Angle Header Pod	43955-0201	30µ" Select Gold	1.57 (.062)	5.10 (.201)
Mini-Fit, Jr. Right Angle Header Pod	43955-0301	Tin	2.36 (.093)	5.90 (.232)
Mini-Fit, Jr. Right Angle Header Pod	43955-0401	30µ" Select Gold	2.36 (.093)	5.90 (.232)
Mini-Fit, Jr. Right Angle Header Pod	43955-0501	Tin	3.18 (.125)	6.70 (.264)
Mini-Fit, Jr. Right Angle Header Pod	43955-0601	30µ" Select Gold	3.18 (.125)	6.70 (.264)
Mini-Fit, Jr. Vertical Header Pod	43954-0101	Tin	1.57 (.062)	3.50 (.138)
Mini-Fit, Jr. Vertical Header Pod	43954-0201	30µ" Select Gold	1.57 (.062)	3.50 (.138)
Mini-Fit, Jr. Vertical Header Pod	43954-0301	Tin	2.36 (.093)	4.30 (.169)
Mini-Fit, Jr. Vertical Header Pod	43954-0401	30µ" Select Gold	2.36 (.093)	4.30 (.169)
Mini-Fit, Jr. Vertical Header Pod	43954-0501	Tin	3.18 (.125)	5.10 (.201)
Mini-Fit, Jr. Vertical Header Pod	43954-0601	30µ" Select Gold	3.18 (.125)	5.10 (.201)