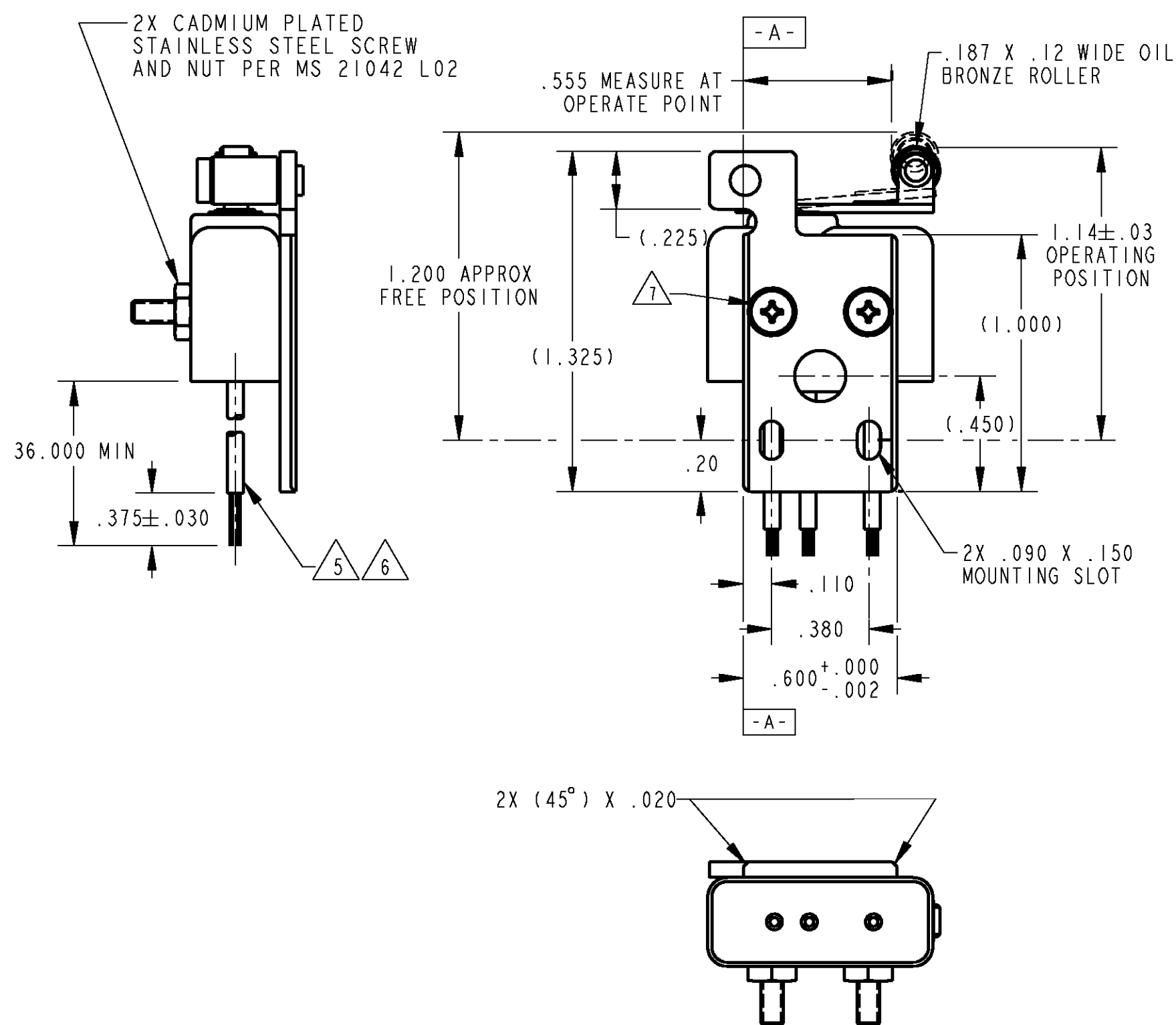
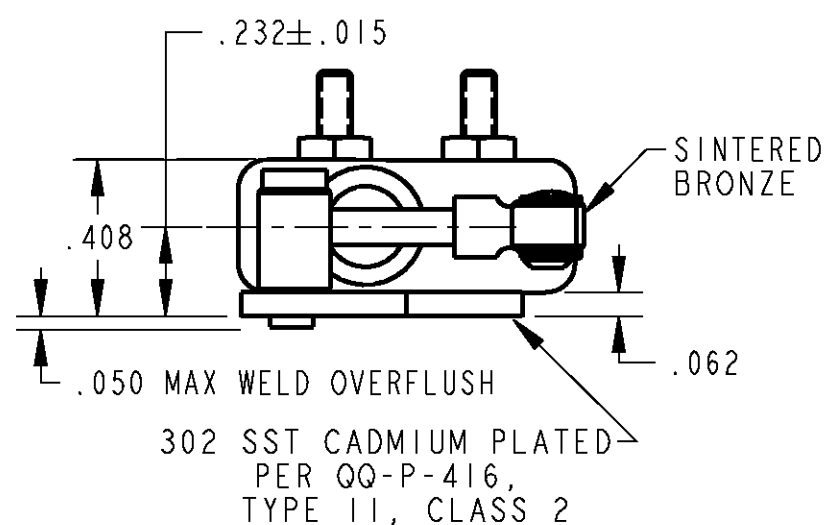
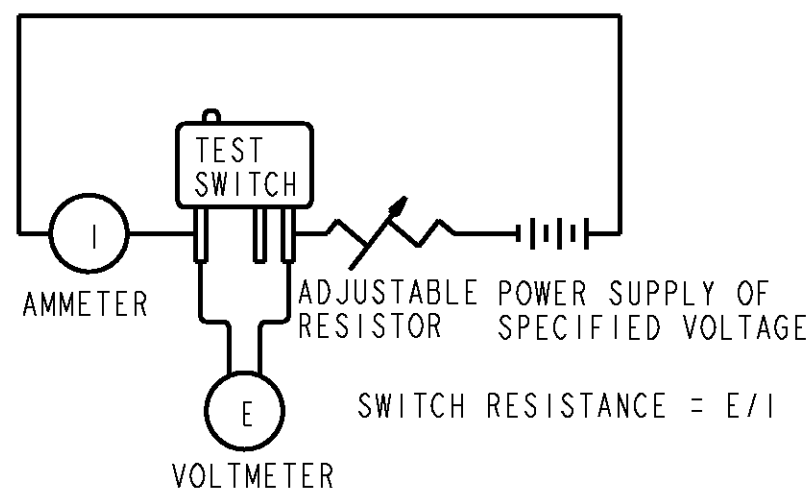


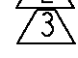



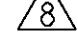


M

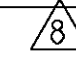
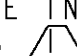
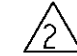
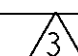
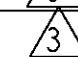
39SE8

CIRCUIT DIAGRAM 

NOTES

-  CONTACT HONEYWELL-MICRO SWITCH IF ADDITIONAL INFORMATION ON LOW ENERGY LOADS IS REQUIRED OR FOR HELP WITH SPECIFIC APPLICATIONS
-  PREFERRED, ACCEPTABLE, OR NOT RECOMMENDED
-  LIFE RATINGS ARE PER MIL-S-8805 REQUIREMENTS. ACTUAL LIFE EXCEEDS RATED LIFE. CONTACT HONEYWELL-MICRO SWITCH FOR ADDITIONAL DATA
- 4 - ASSEMBLY INCLUDES AN SE TYPE BASIC SWITCH WITH GOLD CONTACTS AND SPECIAL ACTUATOR AND MOUNTING BRACKET
-  3X NO. 22 WIRE LEAD PER MIL-W-22759/11 MARKED WITH CIRCUIT IDENTIFICATION AND GAGE (C-22, NO-22, NC-22) AND EMBEDDED IN EPOXY CASTING RESIN
-  WIRE LEAD COLOR IS YELLOW TO INDICATE GOLD CONTACT SWITCH
-  2X SCREW HEADS UNDERFLUSH TO .010 MAX OVERFLUSH
-  AS MANUFACTURED SWITCH RESISTANCE SHOULD NOT EXCEED THE VALUE SPECIFIED WHEN MEASURED AT ACTUATOR FREE POSITION AND FULL OVERTRAVEL. A NEW SWITCH AS INSTALLED CARRYING APPLICATION LOADS SHOULD HAVE SWITCH RESISTANCE NOT EXCEEDING 1% OF THE LOAD IMPEDENCE. HONEYWELL-MICRO SWITCH VERIFIES SWITCH RESISTANCE USING THE FOUR WIRE VOLTAGE DROP METHOD. REFERENCE MIL-STD-202 METHOD 307 AND CIRCUIT DIAGRAM ABOVE

SPECIFICATION DETAILS:

STANDARD:	CONFORMS TO MS27994-1 (MIL-S-8805/32), EXCEPT AS NOTED		
CONSTRUCTION:	WATERTIGHT SEAL PER MIL-S-8805, SYMBOL 3		
ENCLOSURE DESIGN	SMOOTH GOLD CONTACTS		
CONTACT MATERIAL & CONFIGURATION	S.P.D.T.		
CIRCUIT CONFIGURATION	LEADWIRES PER MIL-W-22759/11		
TERMINATION	2.0 OZ MAX		
WEIGHT	CORROSION RESISTANT EXCEPT OIL BRONZE ROLLER		
EXPOSED METALS	ELECTRICAL CHARACTERISTICS:		
MAX ELECTRICAL RATINGS	VOLTAGE	RESISTIVE	INDUCTIVE
-SEA LEVEL	28 VDC	1.0A	0.5A
-50,000 FEET	28 VDC	1.0A	0.5A
DIELECTRIC STRENGTH & INSULATION RESISTANCE	DIELECTRIC STRENGTH (60 Hz FOR 5 SECONDS)		INSULATION RESISTANCE (500 VDC ±10%)
-BETWEEN TERMINALS AND EXPOSED NON-CURRENT CARRYING METAL	1000 V Rms, 500µA MAX		1000 Megohms
-BETWEEN TERMINALS OF MUTUALLY INSULATED CIRCUITS	1000 V Rms, 500µA MAX		1000 Megohms
-BETWEEN ALL UNCONNECTED TERMINALS OF THE SAME POLE	1000 V Rms, 500µA MAX		1000 Megohms
SWITCH RESISTANCE	.7 OHMS MAX (MEASURED AT 6 VDC 100mA) 		
RECOMMENDATION FOR USE IN APPLICATIONS LESS THAN .5 amps AND/OR 12 volts 	PREFERRED 		
MECHANICAL CHARACTERISTICS:	OPERATING FORCE		
	6 OZ MAX		
	RELEASE FORCE		
	2 OZ MIN		
	DIFFERENTIAL TRAVEL		
	.016 MAX		
	OVERTRAVEL		
	.010 MIN		
MOUNTING STRENGTH	N/A		
ACTUATOR STRENGTH	N/A		
LIFE:	MECHANICAL LIFE		
	25,000 MIN PER MIL-S-8805/32 		
	ELECTRICAL LIFE AT FULL RATED LOAD		
	25,000 MIN PER MIL-S-8805/32 		
ENVIRONMENTAL:	TEMPERATURE RANGE		
	-55° C TO +85° C		
	ALTITUDE RANGE		
	SEA LEVEL TO 50,000 FEET		
	SHOCK		
	PER MIL-S-8805, (SYMBOL M - 100 g)		
	VIBRATION		
	PER MIL-S-8805, (SYMBOL 2 - 10-2000 Hz. & 15 g PEAK)		
	MOISTURE RESISTANCE		
	PER MIL-S-8805, (10 DAY TEST)#		
	THERMAL SHOCK		
	PER MIL-S-8805, (5 CYCLE TEST)		
	SALT SPRAY		
	PER MIL-S-8805, (96 HOUR TEST)		
PREDICTED LIFE RATINGS BEYOND MIL-S-8805 REQUIREMENTS:	MECHANICAL LIFE		
	150,000		
	ELECTRICAL LIFE AT 28VDC, 350mA		
	150,000		

THIS DRAWING COVERS A PROPRIETARY ITEM AND IS THE PROPERTY OF MICRO SWITCH, A DIVISION OF HONEYWELL. THIS DRAWING IS NOT TO BE COPIED OR USED WITHOUT THE APPROVAL OF MICRO SWITCH.

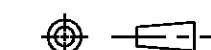
MICRO SWITCH
a Honeywell Division

SWITCH - ASSEMBLY

CATALOG LISTING

39SE8

THIRD ANGLE PROJECTION



SCALE 2 : 1

DO NOT SCALE PRINT

UNLESS OTHERWISE SPECIFIED TOLERANCES ARE

ONE PLACE	(.0)	±.030
TWO PLACES	(.00)	±.015
THREE PLACES	(.000)	±.005
ANGLES		±

WEIGHT

ANSI Y14.5M-1982 APPLIES

FED. MFG. CODE 91929

39SE8
DRAWING NUMBER
RELEASE NO. PR-21831-T
REPLACES

12
ISSUE
CHECK

REVISIONS
A
C093895
TSM
14DEC99

CHECK
14DEC99

SAV
14DEC99

CHECK
14DEC99

PTC/CAD 2D
DRAWN