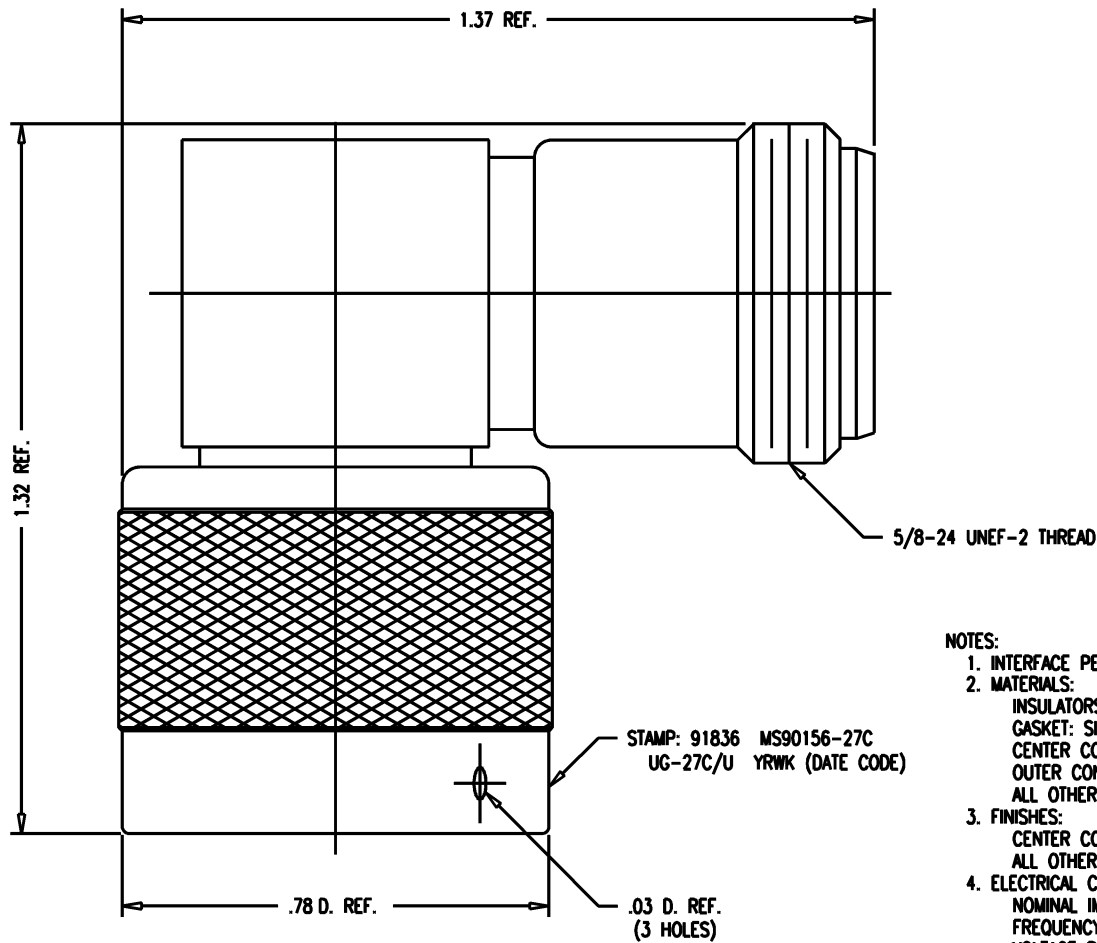


SD



NOTES:

1. INTERFACE PER MIL-STD-348, FIG. 304-1 AND 304-2.
2. MATERIALS:
 INSULATORS: TEFLON, ASTM-D-4894
 GASKET: SIL. RUBBER, ZZ-R-765
 CENTER CONTACT: BER. COPPER, ASTM-B-196
 OUTER CONTACT AND C-RING: PHOS. BRONZE, ASTM-B-103
 ALL OTHER METAL PARTS: BRASS, ASTM-B16
3. FINISHES:
 CENTER CONTACT: SILVER PLATE PER QQ-S-365
 ALL OTHER METAL PARTS: SILVER PLATE PER QQ-S-365
4. ELECTRICAL CHARACTERISTICS
 NOMINAL IMPEDANCE: 50 ~W
 FREQUENCY RANGE: DC TO 11 GHz
 VOLTAGE RATING: 1000 VOLTS RMS

UG-27C/U

REVISIONS

| ISSUE | CHANGES |
|-------|---------------------------------------|
| 8 | CN 4081 A J.G. 03/30/66 |
| 9 | CN 10615 A WLA 12/16/71 |
| 10 | CN 17241 C JHP 05/05/77 |
| 11 | CN 27408 D SD 09/25/85 |
| 12 | CN 38111 C REDRAWN TML 10/24/00 |

UG27CU-SD

| | |
|---------------------|--------------------|
| SCALE : 4:1 | |
| APPROX SURFACE AREA | |
| KN-98-01 | |
| USED ON | |
| REF: MS-90156 A | |
| ADAPTER, N, M-F | |
| DRAWN | J.G. DATE 03/30/66 |
| DESIGN | DATE |
| APPR. | LI DATE 03/30/66 |

KINGS
ELECTRONICS CO., INC.
ROCK HILL, SOUTH CAROLINA 29730

UG-27C/U

SD