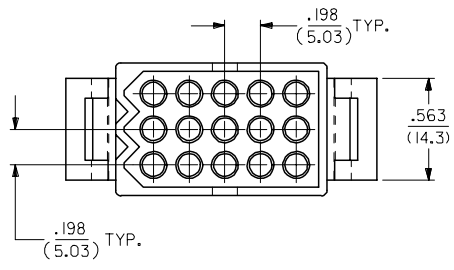
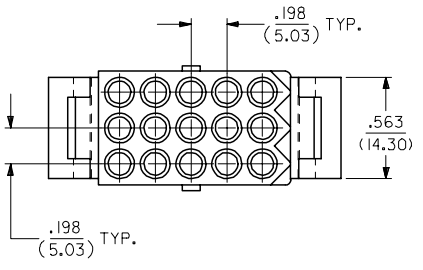
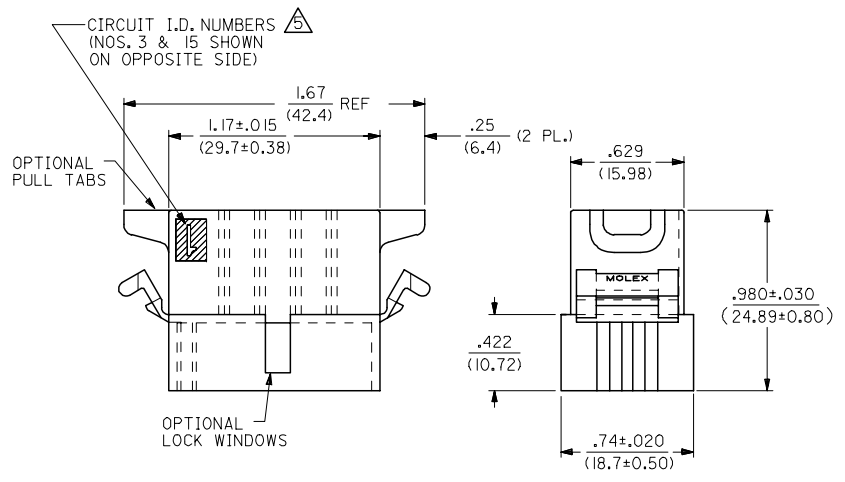
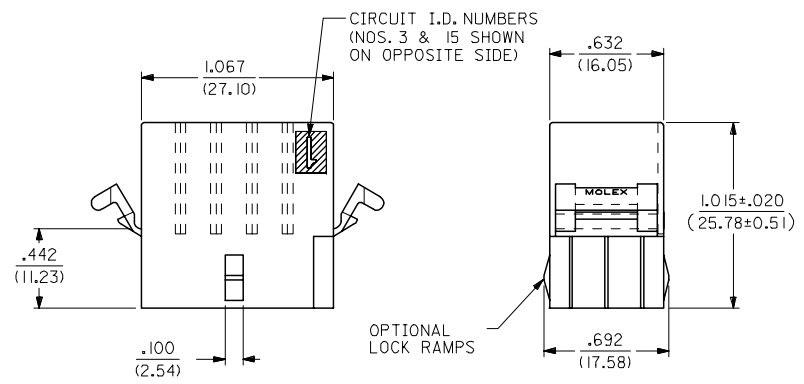
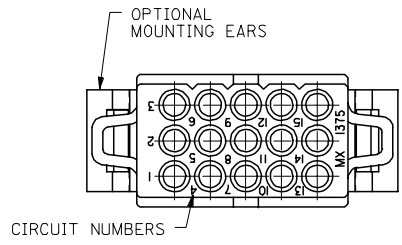
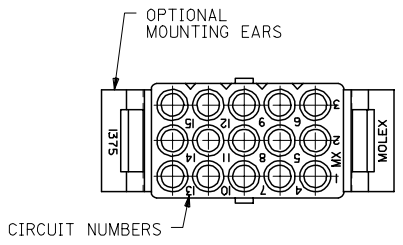


13 12 11 10 9 8 7 6 5 4 3 2 1

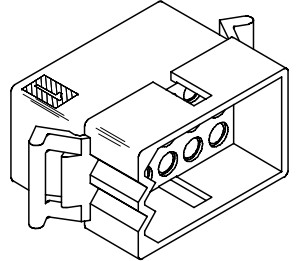
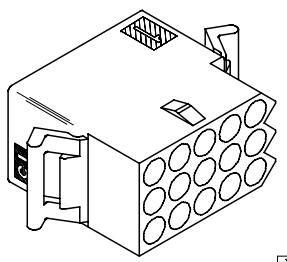
J  
I  
H  
G  
F  
E  
D  
C  
B  
A

J  
I  
H  
G  
F  
E  
D  
C  
B  
A



RECEPTACLE

PLUG



UPDATE TITLE BLOCK EC NO: UCP2007-2415 DRWNAELHAG 2007/04/17 CHKD:LSHMT 2007/05/03 APPR:FSM TH 2007/05/03	QUALITY SYMBOLS 	GENERAL TOLERANCES (UNLESS SPECIFIED)		DIMENSION STYLE		SCALE	DESIGN UNITS	THIRD ANGLE PROJECTION			
				IN/MM		2:1	INCH				
		4 PLACES ± .005 ± .010	3 PLACES ± .005 ± .010	2 PLACES ± 0.25 ± .014	1 PLACE ± 0.35 ± .014	DRAWN BY	DATE	TITLE			
		ANGULAR ±1/2°				KBW	01/14/1989	.093/(2.36) HOUSINGS PLUG & RECEPTACLE 15 CIRCUIT, .198/(5.03)CL			
AE	DESCRIPTION	DRAFT WHERE APPLICABLE MUST REMAIN WITHIN DIMENSIONS		SEE CHART		MATERIAL NO.		DOCUMENT NO.		SHEET NO.	
						RAS		MOLEX INCORPORATED		1 OF 2	
						01/14/1989		SD-1375-*			
THIS DRAWING CONTAINS INFORMATION THAT IS PROPRIETARY TO MOLEX INCORPORATED AND SHOULD NOT BE USED WITHOUT WRITTEN PERMISSION											

12 11 10 9 8 7 6 5 4 3 2 1

13 12 11 10 9 8 7 6 5 4 3 2 1

J

I

H

G

F

E

D

C

B

A

J

I

H

G

F

E

D

C

B

A

NOTES :

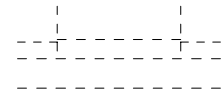
- 1. MATERIAL : NYLON TYPE 6/6, 94V-2.
- 2. FINISH : NONE.
- 3. PRODUCT SPECIFICATION : PS-02-09.
- 4. PACKAGING INFORMATION : SEE CHART.

ETCHED CIRCUIT I.D. NUMBERS ON SIDE OF HOUSINGS TO BE PRESENT ON PARTS FROM TOOLS BUILT AFTER 2/28/94.

- 6. PARTS CONFORM TO CLASS B REQUIREMENTS OF COSMETIC SPECIFICATION PS-45499-002.

ADD NOTES 2, 4 & 6

0  
0



DIMENSION STYLE IN/MM		SCALE 1:1	DESIGN UNITS INCH	THIRD ANGLE PROJECTION
CHECKED BY KBW	DATE 6/14/1989	.093/(2.36) HOUSINGS PLUG & RECEPTACLE		
APPROVED BY RW	DATE 6/14/1989	15-CIRCUIT_198/(5.03)CL		
MATERIAL NO. RAS	DATE 6/14/1989	MOLEX INCORPORATED		
SEE CHART		DOCUMENT NO. SD-1375-*	SHEET NO. 2 OF 2	
THIS DRAWING CONTAINS INFORMATION THAT IS PROPRIETARY TO MOLEX INCORPORATED AND SHOULD NOT BE USED WITHOUT WRITTEN PERMISSION				

12 11 10 9 8 7 6 5 4 3 2 1